

Lecture notes on

**UTILIZATION OF ELECTRICAL ENERGY AND TRACTION**

A Course in 6<sup>th</sup> semester of diploma in ELECTRICAL ENGINEERING



**GOVERNMENT POLYTECHNIC, NABARANGPUR**  
Government of Odisha

ସରକାରୀ ବହୁବୃତ୍ତି ଅନୁଷ୍ଠାନ, ନବରଙ୍ଗପୁର

**SYLLABUS**

**1. ELECTROLYTIC PROCESS**

1.1 Definition and Basic principle of Electro Deposition. 1.2 Important terms regarding electrolysis. 1.3 Faradays Laws of Electrolysis. 1.4 Definitions of current efficiency, Energy efficiency. 1.5 Principle of Electro Deposition. 1.6 Factors affecting the amount of Electro Deposition. 1.7 Factors governing the electro deposition. 1.8 State simple example of extraction of metals. 1.9 Application of Electrolysis.

**2. ELECTRICAL HEATING**

2.1. Advantages of electrical heating. 2.2. Explain mode of heat transfer and Stephen's Law. 2.3. Discuss principle of Resistance heating. 2.3.1 Direct Resistance heating. 2.3.2 Indirect

Resistance heating. 2.4. Explain working principle of direct arc furnace and indirect arc furnace. 2.5. Principle of Induction heating. 2.6. Working principle of direct core type, vertical core type and indirect core type Induction furnace. 2.7. Principle of coreless induction furnace and skin effect. 2.8. Principle of dielectric heating and its application. 2.9. Principle of Microwave heating and its application.

### **3. PRINCIPLES OF ARC WELDING**

3.1 Explain principle of arc welding. 3.2 Discuss D. C. & A. C. arc phenomena 3.3 D.C. & A. C. arc welding plants of single and multi-operation type. 3.4 Types of arc welding. 3.5 Explain principles of resistance welding. 3.6 Descriptive study of different resistance welding methods.

### **4. ILLUMINATION**

4 .1 Nature of Radiation and its spectrum. 4 .2 Terms used in Illuminations. i. Luminous intensity ii. Lumen iii. Intensity of illumination iv. MHCP v. MSCP vi. MHSCP vii. Brightness viii. Solid angle ix. Luminous efficiency 4 . 3 Explain the inverse square law and the cosine law. 4 . 4 Explain polar curves. 4 . 5 Describe light distribution and control. Explain related definitions like maintenance factor and depreciation factors. 4 . 6 Design simple lighting schemes and depreciation factor. 4 . 7 Constructional feature and working of Filament lamps, effect of variation of voltage on working of filament lamps. 4 . 8 Explain Discharge lamps. 4 . 9 State Basic idea about excitation in gas discharge lamps. 4 . 10 State constructional features and operation of: - Fluorescent lamp. (PL and PLL Lamps) 4 . 11 Sodium vapor lamps. 4 . 12 High pressure mercury vapour lamps. 4 . 13 Neon sign lamps. 4 . 14 High lumen output & low consumption fluorescent lamps.

### **5. INDUSTRIAL DRIVES**

5 . 1 State group and individual drive. 5 . 2 Method of choice of electric drives. 5 . 3 Explain starting and running characteristics of DC and AC motor. 5 . 4 State Application of : 5.4.1 DC motor 5.4.2 3 phase induction motor 5.4.3 3 phase synchronous motors. 5.4.4 Single phase induction, series motor, universal motor and repulsion motor.

### **6. ELECTRIC TRACTION**

6. 1. Explain system of traction. 6. 2. System of Track electrification. 6. 3. Running Characteristics of DC and AC traction motor. 6. 4. Explain control of motor 6.4.1 Tapped field control 6.4.2 Rheostatic control 6.4.3 Series parallel control 6.4.4 Metadyne control 6. 5. Explain Braking of the following types. 6.5.1 Regenerative Braking 6.5.2 Braking with 1-phase series motor 6.5.3 Magnetic Braking

### Definition and Basic principle of Electro Deposition.

Electro deposition is the process of coating a thin layer of one metal on top of different metal to modify its surface properties. It is done to achieve the desire electrical and corrosion resistance, reduce wear & friction, improve heat tolerance and for decoration.

### Electroplating Basics

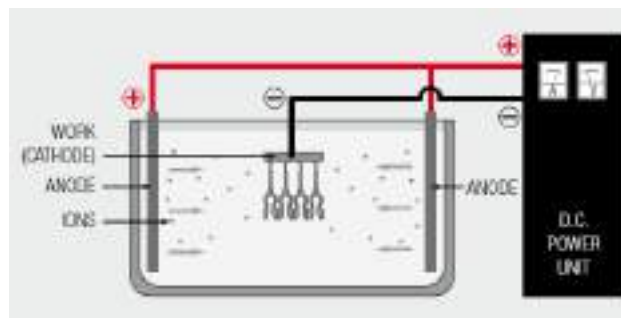


Fig-1. Electrochemical Plating

Figure- 1, schematically illustrates a simple electrochemical plating system. The “electro” part of the system includes the voltage/current source and the electrodes, anode and cathode, immersed in the “chemical” part of the system, the electrolyte or plating bath, with the circuit being completed by the flow of ions from the plating bath to the electrodes. The metal to be deposited may be the anode and be ionized and go into solution in the electrolyte, or come from the composition of the plating bath. Copper, tin, silver and nickel metal usually comes from anodes, while gold salts are usually added to the plating bath in a controlled process to maintain the composition of the bath. The plating bath generally contains other ions to facilitate current flow between the electrodes. The deposition of metal takes place at the cathode. The overall plating process occurs in the following sequence:

1. Power supply pumps electrons into the cathode.
2. An electron from the cathode transfers to a positively charged metal ion in the solution and the reduced metal plates onto the cathode.
3. Ionic conduction through the plating bath completes the circuit to the anode.
4. At the anode two different processes take place depending on whether the anode material is soluble, the source of the metal to be plated, or insoluble, inert. If the anode material is soluble, a metal atom gives up an electron and goes into the solution as a positively charged metal ion replenishing the metal content of the plating bath. If the anode is inert a negatively charged ion from the plating bath gives up an electron to the anode.
5. The electron flows from the anode to the power supply completing the circuit. The deposition of metal at the cathode requires an electron so the rate of deposition

depends on the flow of electrons, that is, the current flowing from the rectifier. The thickness of the deposit, therefore, depends on the current and the length of time the current is applied. This relationship is a result of Faraday's law which relates the weight of a substance produced by an anode or cathode electrode reaction during electrolysis as being directly proportional to the quantity of electricity passed through the cell.

### Faraday's Laws of Electrolysis

From his experiments, Faraday deduced two fundamental laws which govern the phenomenon of electrolysis. These are:

- (i) **First Law.** The mass of ions liberated at an electrode is directly proportional to the quantity of electricity i.e. charge which passes through the electrolyte.

**Or**

The weight of a substance liberated from an electrolyte in a given time is proportional to the quantity of electricity passing through the electrolyte.

That is  $W \propto Q \propto It$ , where  $I$  is the current and  $t$  is the time.

$$W = Zit$$

Where  $Z$  is a constant called electro-chemical equivalent.

If  $I = 1$  ampere and  $T =$  one second then,

$$Z = W, \text{ which gives a definition of } Z.$$

The electro-chemical equivalent of a substance is the amount of that substance by weight liberated in unit time by unit current.

- (ii) **Second Law.** The masses of ions of different substances liberated by the same quantity of electricity are proportional to their chemical equivalent weights.

or,

If the same current flows through several electrolytes, the weights of ions liberated are proportional to their chemical equivalents.

The chemical equivalent of a substance is the weight of the substance which can displace or combine with unit weight of hydrogen. Obviously, the chemical equivalent of hydrogen is 1 by definition.

### DEFINITIONS

#### 1. Current Efficiency

On account of the impurities which cause secondary reactions, the quantity of a substance liberated is less than that calculated from Faraday's Law.

Current efficiency is the ratio of the actual mass of a substance liberated from an electrolyte by the passage of current to the theoretical mass liberated according to Faraday's law. Current efficiency can be used in measuring electro deposition thickness on materials in electrolysis. Current efficiency is also known as faradic efficiency, faradic yield and columbic efficiency.

## **2. Energy Efficiency**

On account of secondary reactions, the voltage actually required for the deposition or liberation of metal is higher than the theoretical value which increases the actual energy required.

Energy efficiency is defined as 
$$= \frac{\text{theoretical energy}}{\text{actual energy required}}$$

It is a process by which a metal is deposited over another metal or non-metal. Electro-plating is a very common example of such process.

Conditions have to be provided so that the deposit will be fine grained and will have a smooth appearance. The factors which affect the electro-deposition of metals are :

- (i) **Current Density**
- (ii) **Electrolyte concentration**
- (iii) **Temperature**
- (iv) **Addition agents**
- (v) **Nature of electrolyte**
- (vi) **Nature of the metal on which the deposit is to be made**
- (vii) **Throwing power of the electrolyte**

### **Current density**

At low values of current density the ions are released at a slow rate and the rate of growth of nuclei is more than the rate at which the new nuclei form themselves. Electro-deposition depends upon the rate at which crystals grow and the rate at which fresh nuclei are formed. Therefore, at low current densities the deposit will be coarse and crystalline in nature. At higher values of current density the quality of deposit becomes more uniform and fine-grained on account of the greater rate of formation of nuclei. If the current density is so high that it exceeds the limiting value for the electrolyte hydrogen is released and spongy and porous deposit is obtained.

### **Electrolytic Concentration**

This is more or less complementary to the first factor, i.e. current density, since by increasing the concentration of the electrolyte higher current density can be

achieved. Increase of concentration tends to give better deposits and some people therefore favour it.

### **Temperature**

The temperature of the electrolyte has two contradictory effects. One, at comparatively high temperature there is more diffusion and even at relatively high current density smooth deposits may be produced. Two, the rate of crystal growth increases the possibility of coarse deposits. At moderate temperatures the deposits are good. In chromium plating the temperature is maintained at 35<sup>0</sup>C, and in nickel between 50<sup>0</sup>C to 60<sup>0</sup>C .

### **Addition Agents**

the quality of a deposit is improved by the presence of an addition agent which may be colloidal matter or an organic compound, otherwise the metal deposits in the form of large crystals and the surface becomes rough. Materials used as addition agents are gelatin, agar, glue, gums, rubber, alkaloids, sugar etc. The addition agents are supposed to be absorbed by crystal nuclei and prevent their growth into large crystals. The discharged ions start to build up new nuclei and the deposit of metal is fine-grained.

### **Nature of electrolyte**

Smooth deposits are obtained from solutions having complex ions, e.g.,cyanides. Silver from nitrate solution forms a coarse deposit while from cyanide solution it forms a smooth deposit. Therefore, the formation of smooth deposit largely depends upon the nature of electrolyte used.

### **Nature of the metal on which deposit is to be made**

This factor influences the growth of crystals since it is believed that the operation of crystals is in continuation of these in the base metal.

### **Throwing Power**

The throwing power of an electrolyte may be regarded as the quality which produces a uniform deposit on a cathode having an irregular shape. Since the shape is irregular, The distance of the various parts of the cathode from the anode is not the same and therefore the conductance of the electrolyte is not the same for all parts of the cathode. The phenomenon of throwing power has not been clearly understood so far. In an electrolyte of low conductance, the current will concentrate on the parts of the cathode which are nearer the cathode resulting in poor throwing power. If the electrolyte has good conductance, the throwing power

will also be good. One way to improve the throwing power is to keep a good distance between the cathode and the anode thereby providing more or less the same conductance for all parts of cathode. Presence of colloidal matter improves the throwing power but increase of temperature may produce the opposite effect.

### **Extraction of Metals**

This is done in two ways:

1. The ore is treated with a strong acid to obtain a salt and the solution of such a salt is electrolyzed to liberate the metal.
2. When the ore in molten state is available it is electrolysed in a furnace.

#### **Extraction of Zinc**

The ore consisting of zinc is treated with concentrated sulphuric acid, roasted and passed through other processes to get rid of impurities by precipitation. The zinc-sulphate solution is then electrolysed. The cells consist of large lead-lined wooden boxes having aluminum cathodes and lead anodes. The current density is about 1000 amperes per square meter. Zinc is deposited on cathodes.

#### **Extraction of Aluminium**

Ores of aluminium are bauxite cryolite. Bauxite is treated chemically and reduced to aluminium oxide and then dissolved in fused cryolite and electrolysed. The furnace is lined with carbon. The temperature of the furnace is about  $1000^{\circ}\text{C}$  to keep the electrolyte in a fused state. Aluminium deposits at the cathode.

#### **Refining of Metals**

Electrolytic extraction gives about 98 to 99 percent pure metal. Further refining is done by electrolysis. The anodes are made of the impure metal extracted from its ores and the electrolyte is a solution of the salt of the metal. Pure metal is deposited on the cathode.

Example : 1

A 20 cm long portion of a circular shaft 10 cm diameter is to be coated with a layer of 1.5 mm nickel. Determine the quantity of electricity in Ah and the time taken for the

process. Assume a current density of 195 A/sq.m and a current efficiency of 92 percent. Specific gravity of nickel is 8.9.

Solution :

$$\text{Wt. of nickel} = 8.9 \text{ gm/cm}^3$$

Wt of nickel to be deposited

$$= \pi \times 10 \times \frac{1.5}{10} \times 8.9 \times 10^{-3} \text{ kg}$$

Electro-chemical equivalent of nickel is 1.0954 kg per 1,000Ah.

Quantity of electricity required

$$= \frac{838.4 \times 10^{-3} \times 1,000}{1.0954 \times 0.92} = 833 \text{ Ahr}$$

Current density = 195 A/m<sup>2</sup> .

$$\text{Time taken} = \frac{833}{\pi \times 10 \times 20 \times 10^{-4} \times 195} = 68 \text{ hours.}$$

**XXXXXXXXXXXX**



## CHAPTER-2

### ELECTRICAL HEATING

---

Electric heating is extensively used both for domestic and industrial applications. Domestic applications include **(i)** room heaters **(ii)** immersion heaters for water heating **(iii)** hot plates for cooking **(iv)** electric kettles **(v)** electric irons **(vi)** pop-corn plants **(vii)** electric ovens for bakeries and **(viii)** electric toasters etc. Industrial applications of electric heating include **(i)** melting of metals **(ii)** heat treatment of metals like annealing, tempering, soldering and brazing etc. **(iii)** moulding of glass **(iv)** Baking of insulators **(v)** enamelling of copper wires etc.

#### **Advantage of electrical heating:**

As compared to other methods of heating using gas, coal and fire etc., electric heating is far superior for the following reasons:

**(i) Cleanliness.** Since neither dust nor ash is produced in electric heating, it is a clean system of heating requiring minimum cost of cleaning.

**(ii) No Pollution.** Since no flue gases are produced in electric heating, no provision has to be made for their exit.

**(iii) Economical.** Electric heating is economical because electric furnaces are cheaper in their initial cost as well as maintenance cost since they do not require big space for installation or for storage of coal and wood. Moreover, there is no need to construct any chimney or to provide extra heat installation.

**(iv) Ease of Control.** It is easy to control and regulate the temperature of an electric furnace with the help of manual or automatic devices. Temperature can be controlled within  $\pm 5^{\circ}\text{C}$  which is not possible in any other form of heating.

**(v) Special Heating Requirement.** Special heating requirements such as uniform heating of a material or heating one particular portion of the job without affecting its other parts or heating with no oxidation can be met only by electric heating.

**(vi) Higher Efficiency.** Heat produced electrically does not go away waste through the chimney and other by products. Consequently, most of the heat produced is utilised for heating the material itself. Hence, electric heating has higher efficiency as compared to other types of heating.

**(vii) Better Working Conditions.** Since electric heating produces no irritating noises and also the radiation losses are low, it results in low ambient temperature. Hence, working with electric furnaces is convenient and cool.

**(viii) Heating of Bad Conductors.** Bad conductors of heat and electricity like wood, plastic and bakery items can be uniformly and suitably heated with dielectric heating process.

**(ix) Safety.** Electric heating is quite safe because it responds quickly to the controlled signals.

**(x) Lower Attention and Maintenance Cost.** Electric heating equipment generally will not require much attention and supervision and their maintenance cost is almost negligible. Hence, labour charges are negligibly small as compared to other forms of heating.

## Different Methods of Heat Transfer

The different methods by which heat is transferred from a hot body to a cold body are as under:

- I. Conduction
- II. Convection
- III. Radiation

### I. Conduction

In this mode of heat transfer, one molecule of the body gets heated and transfers some of the heat to the adjacent molecule and so on. There is a temperature gradient between the two ends of the body being heated.

Consider a solid material of cross-section  $A$ sq.m. and thickness  $x$  metre as shown in Fig.1.

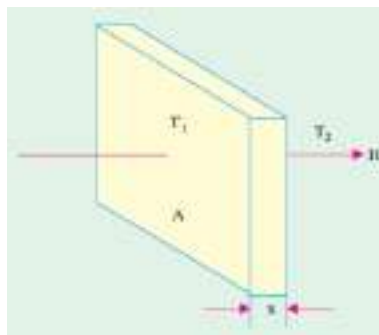


Fig-1

If  $T_1$  and  $T_2$  are the temperatures of the two sides of the slab in  $^{\circ}\text{K}$ , then heat conducted between the two opposite faces in time  $t$  seconds is given by:

$$H = \frac{KA(T_1 - T_2)t}{x} \dots (1)$$

Where,  $K$  is thermal conductivity of the material.

### II. Convection

In this process, heat is transferred by the flow of hot and cold air currents. This process is applied in the heating of water by immersion heater or heating of buildings. The quantity of heat absorbed by the body by convection process depends mainly on the temperature of the heating element above the surroundings and upon the size of the surface of the heater. It also depends, to some extent, on the position of the heater. The amount of heat dissipated is given by  $H = a (T_1 - T_2)$ , where  $a$  is constant and  $T_1$  and  $T_2$  are the temperatures of the heating surface and the fluid in °K respectively. In electric furnaces, heat transferred by convection is negligible.

### III. Radiation

It is the transfer of heat from a hot body to a cold body in a straight line without affecting the intervening medium. The rate of heat emission is given by Stefan's law, according to which heat dissipated is given by equation—2.

$$H = 5.72 eK \left[ \left( \frac{T_1}{100} \right)^4 - \left( \frac{T_2}{100} \right)^4 \right] \quad W/m^2 \quad \dots \dots (2)$$

Where,  $K$  is radiating efficiency and  $e$  is known as emissivity of the heating element. If  $d$  is the diameter of the heating wire and  $l$  its total length, then its surface area from which heat is radiated,

$$S = \pi dl \quad \dots (3)$$

If  $H$  is the power radiated per  $m^2$  of the heating surface, then,

$$\text{Total power radiated as heat} = H\pi dl \dots (4)$$

If  $P$  is the electrical power input to the heating element, then

$$P = \pi dl \times H \quad \dots \dots (5)$$

#### *Resistance Heating.*

It is based on the  $I^2R$  effect. When current is passed through a resistance element,  $I^2R$  loss takes place which produces heat. There are two methods of resistance heating.

#### **(a) Direct Resistance Heating.**

In this method the material (or charge) to be heated is treated as a resistance and current is passed through it. The charge may be in the form of powder, small solid pieces or liquid. The two electrodes are inserted in the charge and connected to either a.c. or d.c. supply (Fig. 2). Obviously, two electrodes will be required in the case of d.c. or single-phase a.c. supply but there would be three electrodes in the case of 3-phase supply. When the charge is in the form of small pieces, a powder of high resistivity material is sprinkled over the surface of the charge to avoid direct short circuit. Heat is produced when current passes

through it. This method of heating has high efficiency because the heat is produced in the charge itself.

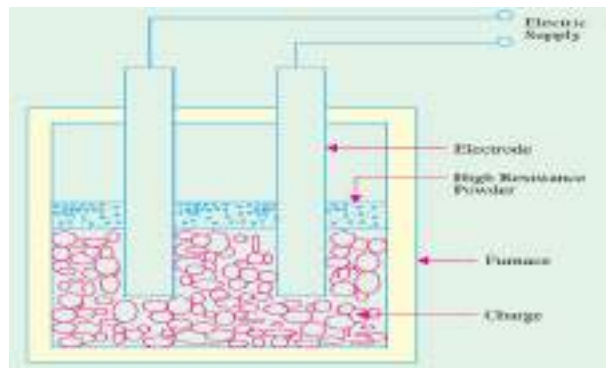


Fig:2 Direct Resistance heating

### b) In-Direct Resistance heating.

In this method of heating, electric current is passed through a resistance element which is placed in an electric oven. Heat produced is proportional to  $I^2R$  losses in the heating element. The heat so produced is delivered to the charge either by radiation or convection or by a combination of the two. Sometimes, resistance is placed in a cylinder which is surrounded by the charge placed in the jacket as shown in the Fig.3. This arrangement provides uniform temperature. Moreover, automatic temperature control can also be provided.

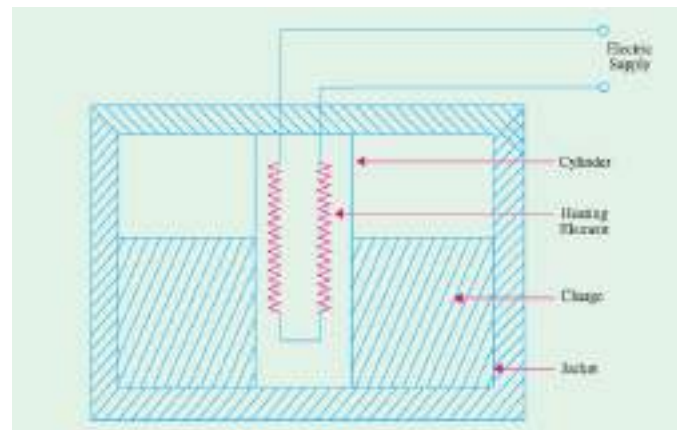


Fig-3 Indirect Resistance heating

### Principle of Resistance furnace.

These are suitably-insulated closed chambers with a provision for ventilation and are used for a wide variety of purposes including heat treatment of metals like annealing and hardening etc., staving of enamelled wares, drying and baking of potteries, vulcanizing and hardening of synthetic materials and for commercial and domestic heating. Temperatures up to  $1000^{\circ}\text{C}$  can be obtained by using heating elements made of nickel, chromium and iron. Ovens using heating elements made of graphite can produce temperatures up to  $3000^{\circ}\text{C}$ .

Heating elements may consist of circular wires or rectangular ribbons. The ovens are usually made of a metal framework having an internal lining of fire bricks. The heating element may be located on the top, bottom or sides of the oven. The nature of the insulating material is determined by the maximum temperature required in the oven. An enclosure for charge which is heated by radiation or convection or both is called a **heating chamber**.



Fig. 4

### **Temperature Control of Resistance Furnaces**

The temperature of a resistance furnace can be changed by controlling the  $I^2R$  or  $V^2/R$  losses.

Following different methods are used for the above purpose:

#### **(1) Intermittent Switching.**

In this case, the furnace voltage is switched ON and OFF intermittently. When the voltage supply is switched off, heat production within the surface is stalled and hence its temperature is reduced.

When the supply is restored, heat production starts and the furnace temperature begin to increase. Hence, by this simple method, the furnace temperature can be limited between two limits.

#### **(2) By Changing the Number of Heating Elements.**

In this case, the number of heating elements is changed without cutting off the supply to the entire furnace. Smaller the number of heating elements, lesser the heat produced. In the case of a 3-phase circuit, equal number of heating elements is switched off from each phase in order to maintain a balanced load condition.

### (3) Variation in Circuit Configuration.

In the case of 3-phase secondary load, the heating elements give less heat when connected in a star than when connected in delta because in the two cases, voltages across the elements is different (Fig.5). In single-phase circuits, series and parallel grouping of the heating elements causes change in power dissipation resulting in change of furnace temperature. As shown in Fig.6 heat produced is more when all these elements are connected in parallel than when they are connected in series or series-parallel.

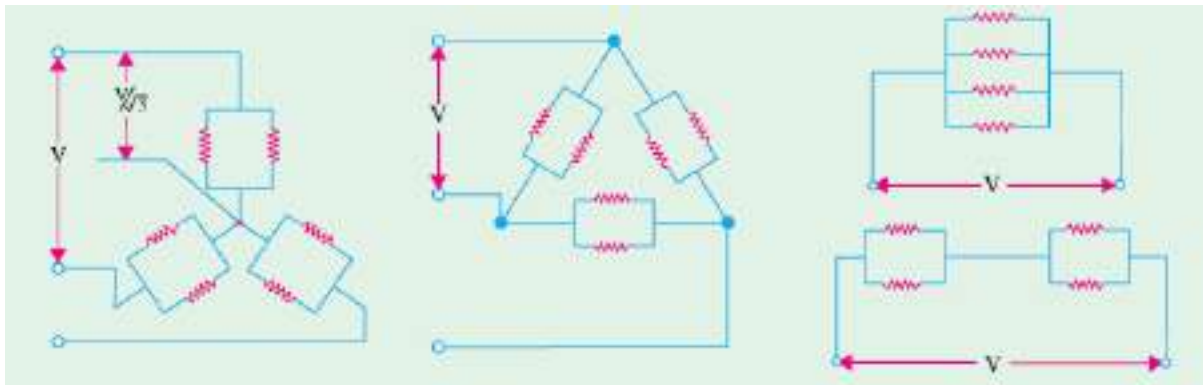


Fig-5

Fig-6

### (4) Change of Applied Voltage.

(a) In the case of a furnace transformer having high voltage primary, the tapping control is kept in the primary winding because the magnitude of the primary current is less. Consider the multi-tap step-down transformer shown in Fig.7.

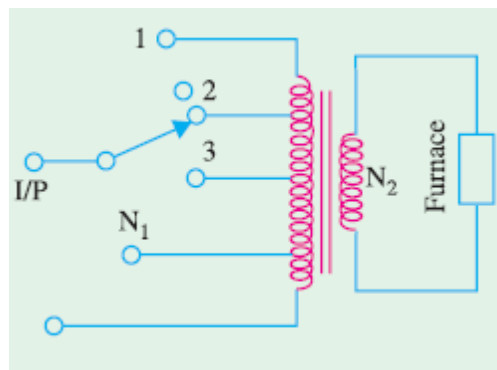


Fig-7

Let the four tapings on the primary winding have 100%, 80%, 60% and 50%. When 100% primary turns are used, secondary voltage is given by  $V_2 = (N_2/N_1)V_i$ , where  $V_i$  is the input voltage. When 50% tapping is used, the number of primary turns involved is  $N_1/2$ . Hence, available secondary voltage  $V_2 = (2N_2/N_1)V_i$ . By selecting a suitable primary tapping, secondary voltage can be increased or decreased causing a change of temperature in the furnace.

### (b) Bucking-Boosting the Secondary Voltage.

In this method, the transformer secondary is wound in two sections having unequal number of turns. If the two sections are connected in series aiding, the secondary voltage is boosted i.e., increased to  $(E_2 + E_3)$  as shown in Fig.8 (a). When the two sections are connected in series-opposing [Fig.8(b)] the secondary voltage is reduced i.e., there is bucking effect. Consequently, furnace voltage becomes  $(E_2 - E_3)$  and, hence, furnace temperature is reduced.

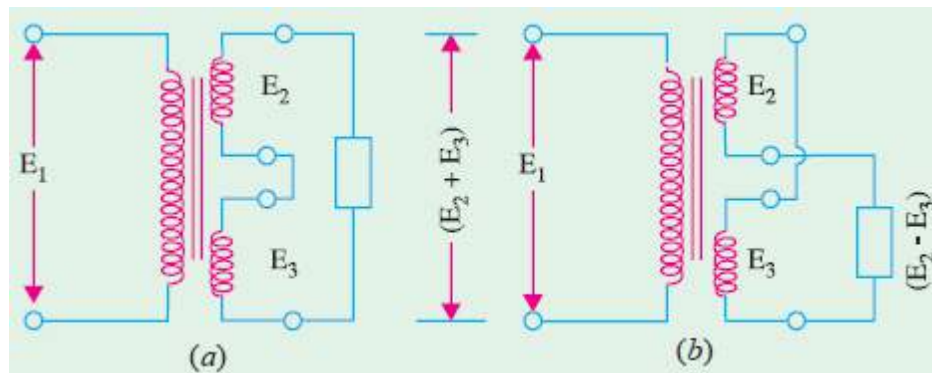


Fig-8

### (c) Autotransformer Control.

Fig.9 shows the use of tapped autotransformer used for decreasing the furnace voltage and, hence, temperature of small electric furnaces. The required voltage can be selected with the help of a voltage selector.

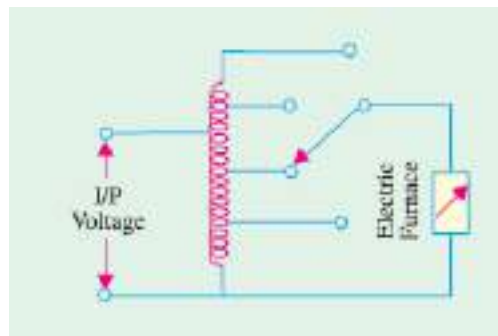


Fig-9

### (d) Series Reactor Voltage.

In this case, a heavy-duty core-wound coil is placed in series with the furnace as and when desired. Due to drop in voltage across the impedance of the coil, the voltage available across the furnace is reduced. With the help of D.P.D.T. switch, high/low, two mode temperature control can be obtained as shown in the Fig.10. Since the addition of series coil reduces the power factor, a power capacitor is simultaneously introduced in the circuit for keeping the p.f. nearly unity. As seen, the inductor is connected in series, whereas the capacitor is in parallel with the furnace.

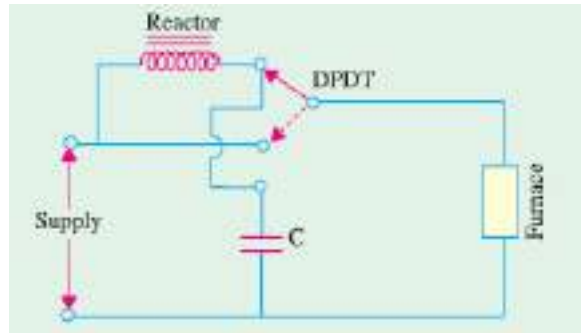


Fig-10

### *Arc Furnaces*

If a sufficiently high voltage is applied across an air-gap, the air becomes ionized and starts conducting in the form of a continuous spark or arc thereby producing intense heat. When electrodes are made of carbon/graphite, the temperature obtained is in the range of 3000°C-3500°C. The high voltage required for striking the arc can be obtained by using a step-up transformer fed from a variable a.c. supply as shown in Fig. 11 (a).

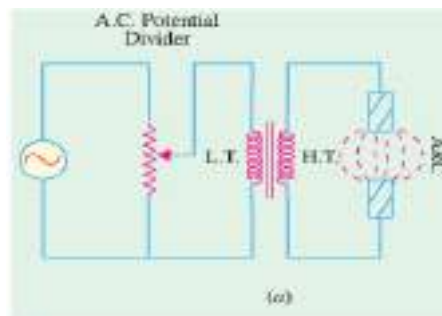


Fig-11

### **Indirect Arc Furnace**

In this case, arc is formed between the two electrodes and the charge in such a way that electric current passes through the body of the charge as shown in Fig.11(a) . Such furnaces produce very high temperatures. In this case, arc is formed between the two electrodes and the heat thus produced is passed on to the charge by radiation as shown in Fig. 47.11 (b).



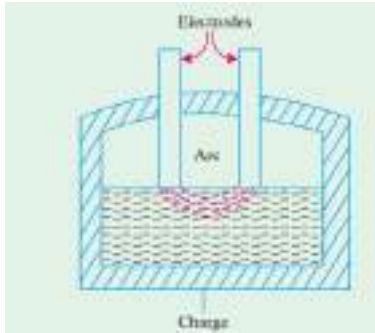


Fig-11(a)

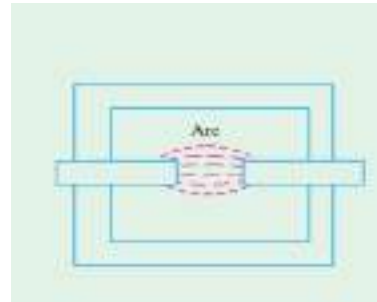


Fig-11(b)

### Direct Arc Furnace

It could be either of conducting-bottom type [Fig.12 (a)] or non-conducting bottom type [Fig.12 (b)]. As seen from Fig.12 (a), bottom of the furnace forms part of the electric circuit so that current passes through the body of the charge which offers very low resistance. Hence, it is possible to obtain high temperatures in such furnaces. Moreover, it produces uniform heating of charge without stirring it mechanically. In Fig.12 (b), no current passes through the body of the furnace. Most common application of these furnaces is in the production of steel because of the ease with which the composition of the final product can be controlled during refining. Most of the furnaces in general use are of non-conducting bottom type due to insulation problem faced in case of conducting bottom.

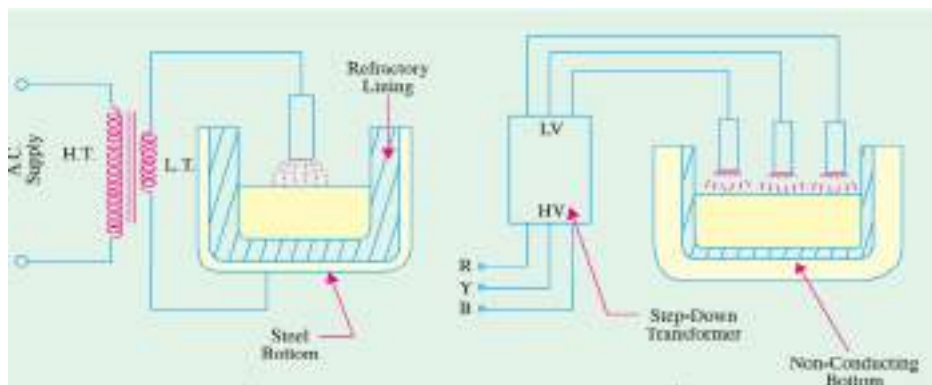


Fig-12(a)

Fig-12(b)

### Indirect Arc Furnace

Fig.13 shows a single-phase indirect arc furnace which is cylindrical in shape. The arc is struck by short circuiting the electrodes manually or automatically for a moment and then, withdrawing them apart. The heat from the arc and the hot refractory lining is transferred to the top layer of the charge by radiation. The heat from the hot top layer of the charge is further transferred to other parts of the charge by conduction. Since no current passes through the body of the charge, there is no inherent stirring action due to electro-magnetic forces set

up by the current. Hence, such furnaces have to be rocked continuously in order to distribute heat uniformly by exposing different layers of the charge to the heat of the arc. An electric motor is used to operate suitable grinders and rollers to impart rocking motion to the furnace. Rocking action provides not only thorough mixing of the charge, it also increases the furnace efficiency in addition to increasing the life of the refractory lining material. Since in this furnace, charge is heated by radiation only, its temperature is lower than that obtainable in a direct arc furnace. Such furnaces are mainly used for melting nonferrous metals although they can be used in iron foundries where small quantities of iron are required frequently.

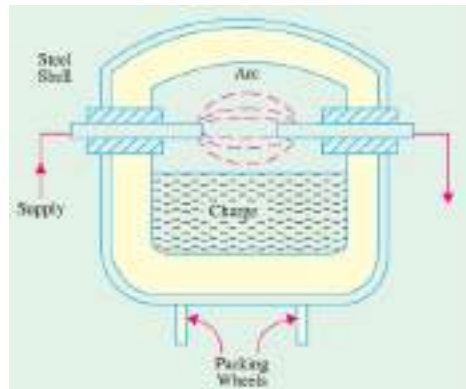


Fig-13

### *Induction Heating*

This heating process makes use of the currents induced by the electro-magnetic action in the charge to be heated. In fact, induction heating is based on the principle of transformer working. The primary winding which is supplied from an a.c. source is magnetically coupled to the charge which acts as a short circuited secondary of single turn. When an a.c. voltage is applied to the primary, it induces voltage in the secondary i.e. charge. The secondary current heats up the charge in the same way, as any electric current does while passing through a resistance. If  $V$  is the voltage induced in the charge and  $R$  is the charge resistance, then heat produced =  $V^2/R$ . The value of current induced in the charge depends on (i) magnitude of the primary current (ii) turn ratio of the transformer (iii) co-efficient of magnetic coupling. Low-frequency induction furnaces are used for melting and refining of different metals. However, for other processes like case hardening and soldering etc., high frequency eddy-current heating is employed. Low frequency induction furnaces employed for the melting of metals are of the following two types:

**(a) Core-type Furnaces** — It operates just like a two winding transformer. These can be further sub-divided into (i) Direct core-type furnaces (ii) Vertical core-type furnaces and (iii) Indirect core-type furnaces.

**(b) Coreless-type Furnaces** — in which an inductively-heated element is made to transfer heat to the charge by radiation.

### Core Type Induction Furnace

It is shown in Fig.14 and is essentially a transformer in which the charge to be heated forms a single-turn short-circuited secondary and is magnetically coupled to the primary by an iron core. The furnace consists of a circular hearth which contains the charge to be melted in the form of an annular ring. When there is no molten metal in the ring, the secondary becomes open-circuited there-by cutting off the secondary current. Hence, to start the furnace, molten metal has to be poured in the annular hearth. Since, magnetic coupling between the primary and secondary is very poor, it results in high leakage and low power factor. In order to nullify the effect of increased leakage reactance, low primary frequency of the order of 10 Hz is used. If the transformer secondary current density exceeds 500 A/cm<sup>2</sup> then, due to the interaction of secondary current with the alternating magnetic field, the molten metal is squeezed to the extent that secondary circuit is interrupted. This effect is known as “pinch effect”.

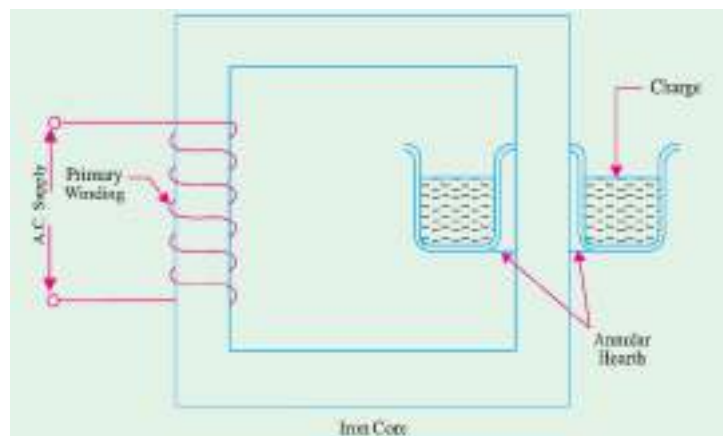


Fig-14

This furnace suffers from the following drawbacks:

1. It has to be run on low-frequency supply which entails extra expenditure on motor-generator set or frequency convertor.
2. It suffers from pinching effect.
3. The crucible for charge is of odd shape and is very inconvenient for tapping the molten charge.
4. It does not function if there is no molten metal in the hearth i.e. when the secondary is open. Every time molten metal has to be poured to start the furnace.
5. It is not suitable for intermittent service. However, in this furnace, melting is rapid and clean and temperature can be controlled easily. Moreover, inherent stirring action of the charge by electro-magnetic forces ensures greater uniformity of the end product.

### **Vertical Core-Type Induction Furnace**

It is also known as Ajax-Wyatt furnace and represents an improvement over the core-type furnace discussed above. As shown in Fig.15, it has vertical channel (instead of a horizontal one) for the charge, so that the crucible used is also vertical which is convenient from metallurgical point of view. In this furnace, magnetic coupling is comparatively better and power factor is high. Hence, it can be operated from normal frequency supply. The circulation of the molten metal is kept up round the Vee portion by convection currents as shown in Fig.15. As Vee channel is narrow, even a small quantity of charge is sufficient to keep the secondary circuit closed. However, Vee channel must be kept full of charge in order to maintain continuity of secondary circuit. This fact makes this furnace suitable for continuous operation. The tendency of the secondary circuit to rupture due to pinch-effect is counteracted by the weight of the charge in the crucible. The choice of material for inner lining of the furnace depends on the type of charge used. Clay lining is used for yellow brass. For red brass and bronze, an alloy of magnetia and alumina or corundum is used. The top of the furnace is covered with an insulated cover which can be removed for charging. The furnace can be tilted by the suitable hydraulic arrangement for taking out the molten metal. This furnace is widely used for melting and refining of brass and other non-ferrous metals. As said earlier, it is suitable for continuous operation. It has a p.f. of 0.8-0.85. With normal supply frequency, its efficiency is about 75% and its standard size varies from 60-300 kW, all single phase.

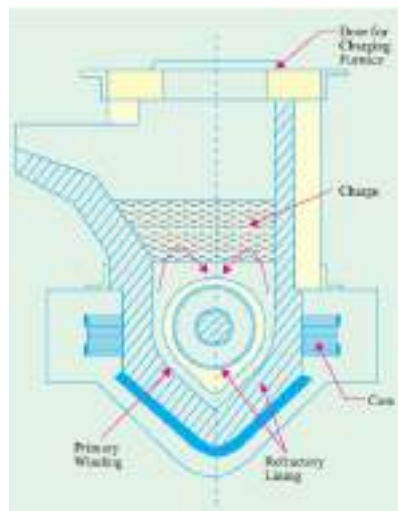


Fig-15 Core type Induction furnace

### **Indirect Core-Type Induction Furnace**

In this furnace, a suitable element is heated by induction which, in turn, transfers the heat to the charge by radiation. So far as the charge is concerned, the conditions are similar to those in a resistance oven. As shown in Fig.16, the secondary consists of a metal container which forms the walls of the furnace proper. The primary winding is magnetically coupled to this secondary by an iron core. When primary winding is connected to a.c. supply, secondary current is induced in the metal container by transformer action which heats up the container.

The metal container transfers this heat to the charge. A special advantage of this furnace is that its temperature can be automatically controlled without the use of an external equipment. The part AB of the magnetic circuit situated inside the oven chamber consists of a special alloy which loses its magnetic properties at a particular temperature but regains them when cooled back to the same temperature. As soon as the chamber attains the critical temperature, reluctance of the magnetic circuit increases manifold thereby cutting off the heat supply. The bar AB is detachable and can be replaced by other bars having different critical temperatures.

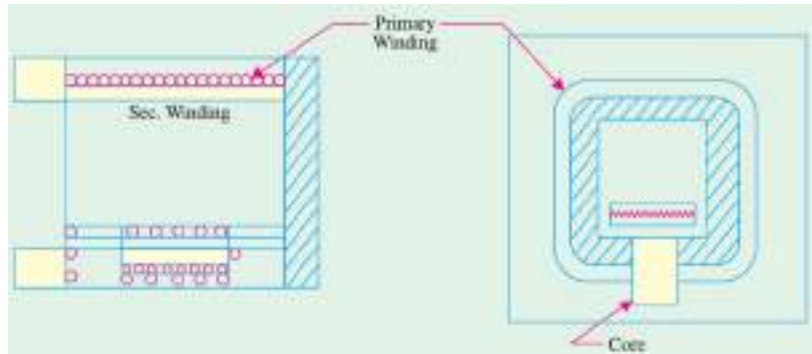


Fig-16

### Coreless Induction Furnace

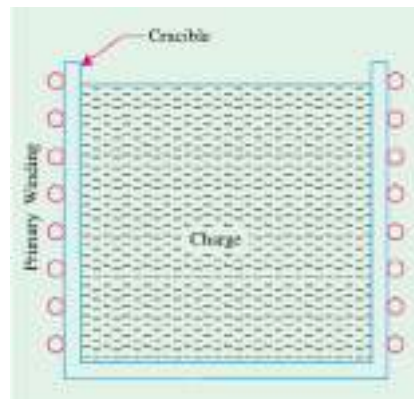


Fig-17

As shown in Fig.17, the three main parts of the furnace are **(i)** primary coil **(ii)** a ceramic crucible containing charge which forms the secondary and **(iii)** the frame which includes supports and tilting mechanism. The distinctive feature of this furnace is that it contains no heavy iron core with the result that there is no continuous path for the magnetic flux. The crucible and the coil are relatively light in construction and can be conveniently tilted for pouring. The charge is put into the crucible and primary winding is connected to a high-frequency a.c. supply. The flux produce by the primary sets up eddy-currents in the charge and heats it up to the melting point. The charge need not be in the molten state at the start as was required by core-type furnaces. The eddy- currents also set up electromotive forces

which produce stirring action which is essential for obtaining uniform quality of metal. Since flux density is low (due to the absence of the magnetic core) high frequency supply has to be used because eddy-current loss  $W_e \propto B_{\max}^2 f^2$ . However, this high frequency increases the resistance of the primary winding due to skin effect, thereby increasing primary Cu losses. Hence, the primary winding is not made of Cu wire but consists of hollow Cu tubes which are cooled by water circulating through them. Since magnetic coupling between the primary and secondary windings is low, the furnace p.f. lies between 0.1 and 0.3. Hence, static capacitors are invariably used in parallel with the furnace to improve its p.f. Such furnaces are commonly used for steel production and for melting of non-ferrous metals like brass, bronze, copper and aluminium etc., along with various alloys of these elements. Special application of these furnaces include vacuum melting, melting in a controlled atmosphere and melting for precision casting where high frequency induction heating is used. It also finds wide use in electronic industry and in other industrial activities like soldering, brazing, hardening and annealing and sterilizing surgical instruments etc. Some of the advantages of coreless induction furnaces are as follows:

1. They are fast in operation.
2. They produce most uniform quality of product.
3. They can be operated intermittently.
4. Their operation is free from smoke, dirt, dust and noises.
5. They can be used for all industrial applications requiring heating and melting.
6. They have low erection and operating costs.
7. Their charging and pouring is simple.

### *Dielectric Heating*

It is also called high-frequency capacitive heating and is used for heating insulators like wood, plastics and ceramics etc. which cannot be heated easily and uniformly by other methods. The supply frequency required for dielectric heating is between 10-50 MHz and the applied voltage is up to 20 kV. The overall efficiency of dielectric heating is about 50%.

### **Dielectric Loss**

When a practical capacitor is connected across an a.c. supply, it draws a current which leads the voltage by an angle  $\phi$ , which is a little less than  $90^\circ$  or falls short of  $90^\circ$  by an angle  $\delta$ . It means that there is a certain component of the current which is in phase with the voltage and hence produces some loss called dielectric loss. At the normal supply frequency of 50 Hz, this loss is negligibly small but at higher frequencies of 50 MHz or so, this loss becomes so large that it is sufficient to heat the dielectric in which it takes place. The insulating material to be heated is placed between two conducting plates in order to form a parallel-plate capacitor as shown in Fig.19 (a). Fig.19 (b) shows the equivalent circuit of the capacitor and Fig.19 (c) gives its vector diagram.

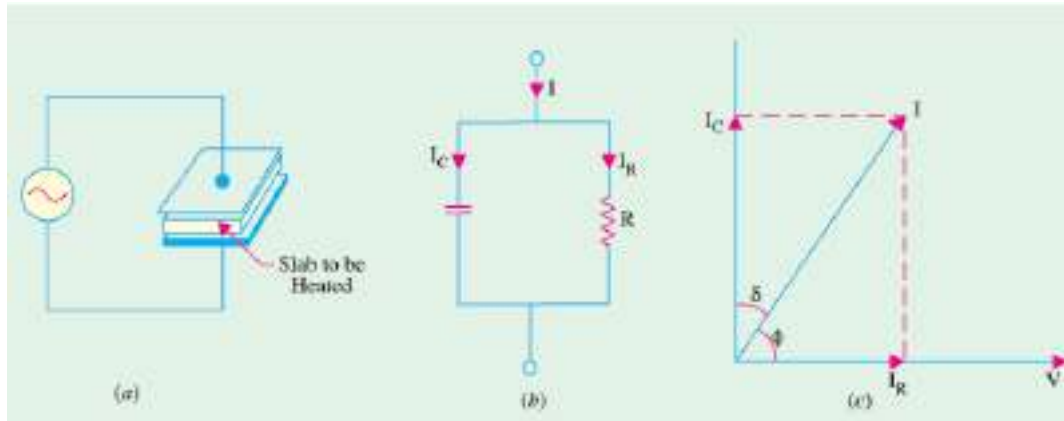


Fig-19

Power drawn from supply =  $VI \cos \phi$

Now,  $I_c = I = V/X_c = 2\pi f CV$

$\therefore P = V(2\pi f CV) \cos \phi = 2\pi f CV^2 \cos \phi$

Now,  $\phi = (90^\circ - \delta)$ ,  $\cos \phi = \cos (90^\circ - \delta) = \sin \delta = \tan \delta = \delta$

where  $\delta$  is very small and is expressed in radians.

$P = 2\pi f CV^2 \delta$  watts

Here,

$$C = \epsilon_0 \epsilon_r \frac{A}{d}$$

Where,  $d$  is the thickness and  $A$  is the surface area of the dielectric slab.

This power is converted into heat. Since for a given insulator material,  $C$  and  $\delta$  are constant, the dielectric loss is directly proportional to  $V^2 f$ . That is why high-frequency voltage is used in dielectric heating. Generally, a.c. voltage of about 20 kV at a frequency of 10-30 MHz is used.

### Advantages of Dielectric Heating

1. Since heat is generated within the dielectric medium itself, it results in uniform heating.
2. Heating becomes faster with increasing frequency.
3. It is the only method for heating bad conductors of heat.
4. Heating is fastest in this method of heating.
5. Since no naked flame appears in the process, inflammable articles like plastics and wooden products etc. can be heated safely.
6. Heating can be stopped immediately as and when desired.



## CHAPTER-3 WELDING

---

### Definition

It is the process of joining two pieces of metal or non-metal at faces rendered plastic or liquid by the application of heat or pressure or both. Filler material may be used to effect the union.

### Welding Processes

All welding processes fall into two distinct categories:

**1. Fusion Welding**—it involves melting of the parent metal. Examples are:

(i) Carbon arc welding, metal arc welding, electron beam welding, electro-slag welding and electro-gas welding which utilize electric energy and

(ii) Gas welding and thermal welding which utilize chemical energy for the melting purpose.

**2. Non-fusion Welding**—It does not involve melting of the parent metal. Examples are:

(i) Forge welding and gas non-fusion welding which use chemical energy.

(ii) Explosive welding, friction welding and ultrasonic welding etc., which use mechanical energy.

(iii) Resistance welding which uses electrical energy.

Proper selection of the welding process depends on the (a) kind of metals to be joined (b) cost involved (c) nature of products to be fabricated and (d) production techniques adopted.

### Use of Electricity in Welding

Electricity is used in welding for generating heat at the point of welding in order to melt the material which will subsequently fuse and form the actual weld joint. There are many ways of producing this localised heat but the two most common methods are as follows:



**1. Resistance welding**—here current is passed through the inherent resistance of the joint to be welded thereby generating the heat as per the equation  $I^2Rt/J$  kilocalories.

**2. Arc welding**—here electricity is conducted in the form of an arc which is established between the two metallic surfaces

### **Principle of arc welding**

#### *Formation and Characteristics of Electric Arc:*

An electric arc is formed whenever electric current is passed between two metallic electrodes which are separated by a short distance from each other. The arc is started by momentarily touching the positive electrode (anode) to the negative metal (or plate) and then withdrawing it to about 3 to 6 mm from the plate. When electrode first touches the plate, a large short-circuits current flows and as it is later withdrawn from the plate, current continues to flow in the form of a spark across the air gap so formed. Due to this spark (or discharge), the air in the gap becomes ionized i.e. is split into negative electrons and positive ions. Consequently, air becomes conducting and current is able to flow across the gap in the form of an arc. As shown in Fig. 48.2, the arc consists of **lighter** electrons which flow from cathode to anode and **heavier** positive ions which flow from anode to cathode. Intense heat is generated when high velocity electrons strike the anode. Heat generated at the cathode is much less because of the low velocity of the impinging ions. It is found that nearly **two-third** of the heat is developed at the anode which burns into the form of a crater where temperature rises to a value of 3500-4000°C. The remaining one-third of the heat is developed near the cathode. The above statement is true in all d.c. systems of welding where positive side of the circuit is the hottest side. As a result, an electrode connected to the positive end of the d.c. supply circuit will burn 50% faster than if connected to the negative end. This fact can be used for obtaining desired penetration of the base metal during welding.

### **Four Positions of Arc Welding**

There are four basic positions in which manual arc welding is done.

**1. Flat position.** It is shown in Fig.20 (a). Of all the positions, flat position is the easiest, most economical and the most used for all shielded arc welding. It provides the strongest weld joints. Weld beads are exceedingly smooth and free of slag spots. This position is most adaptable for welding of both ferrous and non-ferrous metals particularly for cast iron.

**2. Horizontal Position.** It is the second most popular position and is shown in Fig.20(b). It also requires a short arc length because it helps in preventing the molten puddle of the metal from sagging. However, major errors that occur while welding in horizontal position are under-cutting and over-lapping of the weld zone .

**3. Vertical Position.** It is shown in Fig.20(c). In this case, the welder can deposit the bead either in the uphill or downhill direction. Downhill welding is preferred for thin metals

because it is faster than the uphill welding. Uphill welding is suited for thick metals because it produces stronger welds.

**4. Overhead Position.** It is shown in Fig.20(d). Here, the welder has to be very cautious otherwise he may get burnt by drops of falling metal. This position is thought to be the most hazardous but not the most difficult one.

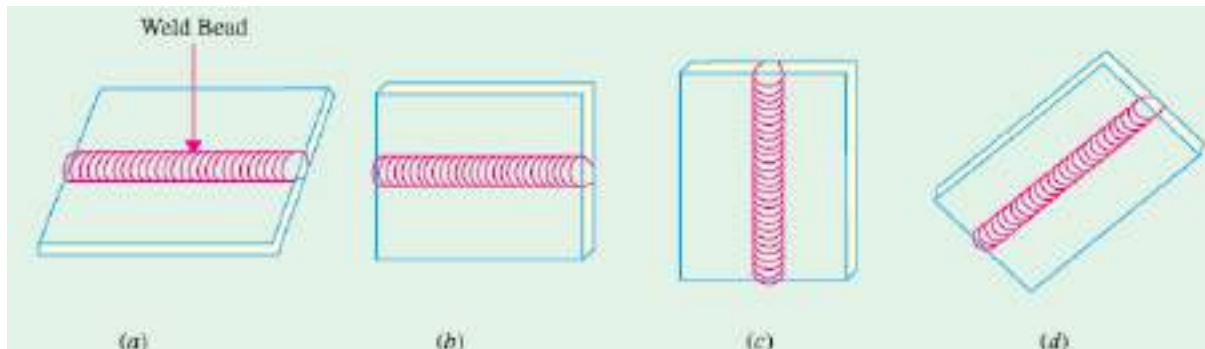


Fig-1

### Electrodes for Metal Arc Welding

An electrode is a filler metal in the form of a wire or rod which is either bare or coated uniformly with flux. As per IS : 814-1970, the contact end of the electrode is left bare and clean to a length of 20-30 mm. for inserting it into electrode holder (Fig.21).

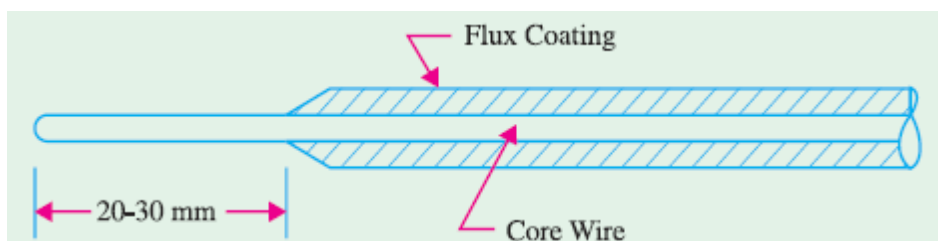


Fig-2

Metal arc welding was originally done with bare electrodes which consisted of a piece of wire or rod of the same metal as the base metal. However, due to atmospheric contamination, they produced brittle and poor quality welds. Hence, bare wire is no longer used except for automatic welding in which case arrangement is made to protect the weld area from the atmosphere by either powdered flux or an inert gas. Since 1929, coated electrodes are being extensively used for shielded arc welding. They consist of a metal core wire surrounded by a thick flux coating applied by extrusion, winding or other processes. Depending on the thickness of the flux coating, coated electrodes may be classified into (i) lightly-dusted (or dipped) electrodes and (ii) semi-coated (or heavy coated) electrodes. Materials commonly used for coating are (i) titanium oxide (ii) ferromanganese (iii) silica flour (iv) asbestos clay (v) calcium carbonate and (vi) cellulose with sodium silicate often used to hold ingredients together. Electrode coating contributes a lot towards improving the quality of the weld. Part

of the coating burns in the intense heat of the arc and provides a gaseous shield around the arc which prevents oxygen, nitrogen and other impurities in the atmosphere from combining with the molten metal to cause a poor quality brittle and weak weld. Another portion of the coating flux melts and mixes with the impurities in the molten pool causing them to float to the top of the weld where they cool in the form of slag. This slag improves the bead quality by protecting it from the contaminating effects of the atmosphere and causing it to cool down more uniformly. It also helps in controlling the basic shape of the weld bead. The type of electrode used depends on the type of metal to be welded, the welding position, the type of electric supply whether a.c. or d.c. and the polarity of the welding machine.

## **Carbon Arc Welding**

### **(a) General**

Carbon arc welding was the first electric welding process developed by a French inventor Auguste de Meritens in 1881. In this process, fusion of metal is accomplished by the heat of an electric arc. No pressure is used and generally, no shielding atmosphere is utilized. Filler rod is used only when necessary. Although not used extensively these days, it has, nevertheless, certain useful fields of application. Carbon arc welding differs from the more common shield metal arc welding in that **it uses non-consumable carbon or graphic electrodes** instead of the consumable flux-coated electrodes.

### **(b) Welding Circuit**

The basic circuit is shown in Fig.22 and can be used with d.c. as well as a.c. supply. When direct current is used, the electrode is mostly negative (DCSP). The process is started by adjusting the amperage on the d.c.welder, turning welder ON and bringing the electrode into contact with the work piece. After the arc column starts, electrode is withdrawn 25 – 40 mm away and the arc is maintained at this distance. The arc can be extinguished by simply removing the electrode from the work piece completely. The only function of the carbon arc is to supply heat to the base metal. This heat is used to melt the base metal or filler rod for obtaining fusion weld. Depending on the type and size of electrodes, maximum current values range from 15 A to 600 A for single-electrode carbon arc welding.

### **(c) Electrodes**

These are made of either carbon or graphite, are usually 300 mm long and 2.5 – 12 mm in diameter. Graphite electrodes are harder, more brittle and last longer than carbon electrodes. They can withstand higher current densities but their arc column is harder to control. Though considered non-consumable, they do disintegrate gradually due to vaporisation and oxidation.

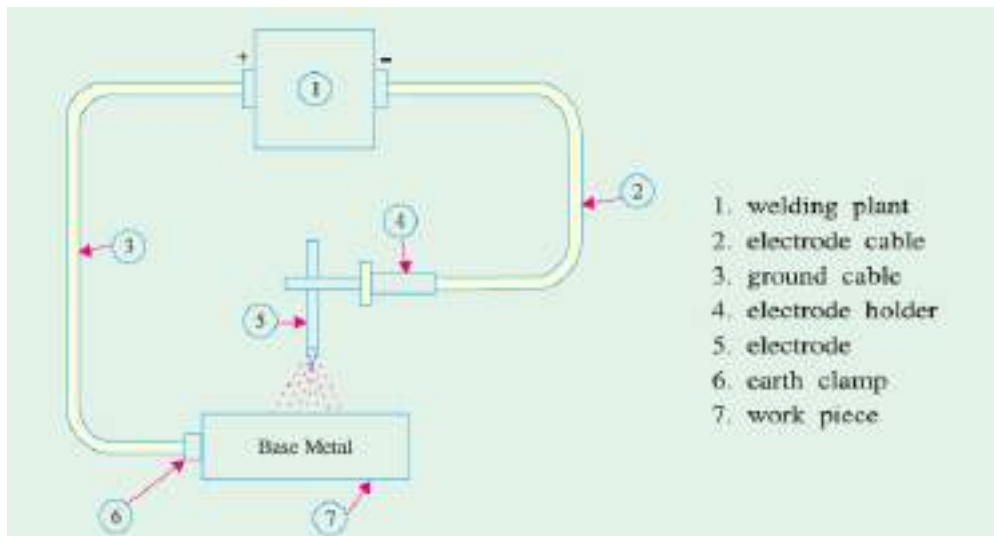


Figure. 3

#### (d) Applications

1. The joint designs that can be used with carbon arc welding are butt joints, bevel joints, flange joints, lap joints and fillet joints.
2. This process is easily adaptable for automation particularly where amount of weld deposit is large and materials to be fabricated are of simple geometrical shapes such as water tanks.
3. It is suitable for welding galvanised sheets using copper-silicon-manganese alloy filler metal.
4. It is useful for welding thin high-nickel alloys.
5. Monel metal can be easily welded with this process by using a suitable coated filler rod.
6. Stainless steel of thinner gauges is often welded by the carbon-arc process with excellent results.

#### (e) Advantages and Disadvantages

1. The main advantage of this process is that the temperature of the molten pool can be easily controlled by simply varying the arc length.
2. It is easily adaptable to automation.
3. It can be easily adapted to inert gas shielding of the weld and
4. It can be used as an excellent heat source for brazing, braze welding and soldering etc.

Its disadvantages are as under:

1. A separate filler rod has to be used if any filler material is required.
2. Since arc serves only as a heat source, it does not transfer any metal to help reinforce the weld joint.

3. The major disadvantage of the carbon-arc process is that blow holes occur due to magnetic arc blow especially when welding near edges of the work piece.

### Submerged Arc Welding

In this **fusion** process, welding is done under a blanket of granulated flux which shields the weld from all bad effects of atmospheric gases while a consumable electrode is continuously and mechanically fed into the arc. The arc, the end of the bare metal electrode and the molten weld pool are all submerged under a thick mound of finely-divided granulated powder that contains deoxidisers, cleansers and other fluxing agents. The fluxing powder is fed from a hopper that is carried on the welding head itself (Fig.23). This hopper spread the powder in a continuous mound ahead of the electrode in the direction of welding. Since arc column is completely submerged under the powder, there is no splatter or smoke and, at the same time, weld is completely protected from atmospheric contamination. Because of this protection, weld beads are extremely smooth. The flux adjacent to the arc column melts and floats to the top of the molten pool where it solidifies to form slag. This slag is easy to remove. Often it cracks off by itself as it cools. The unused flux is removed and is reused again and again.

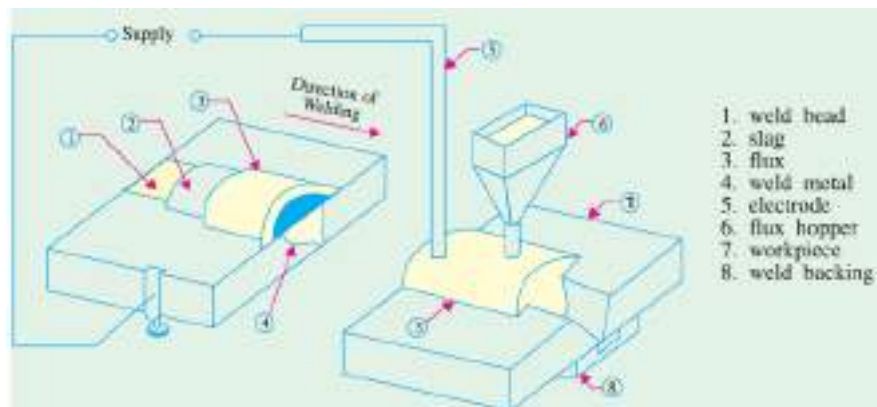


Fig-4

The electrode is either a bare wire or has a slight mist of copper coated over it to prevent oxidation. In automatic or semi-automatic submerged arc welding, wire electrode is fed mechanically through an electrically contacting collect. Though a.c. power supply may be used, yet d.c. supply is more popular because it assures a simplified and positive control of the welding process. This process requires high current densities about 5 to 6 times of those used in ordinary manual stick electrode welding. As a result, melting rate of the electrode as well as welding speed become much higher. Faster welding speed minimizes distortion and war page. The submerged arc process is suitable for

1. Welding low-alloy, high-tensile steels.
2. Welding mild, low-carbon steels.
3. Joining medium-carbon steel, heat-resistant steels and corrosion-resistant steels etc.

4. Welding nickel, and other non-ferrous metals like copper. This process has many industrial applications such as fabrication of pipes, boiler pressure vessels, railroad tank cars, structural shapes etc. which demand welding in a straight line. Welds made by this process have high strength and ductility. A major advantage of this process is that fairly thick sections can be welded in a single pass without edge preparation. Submerged arc welding can be done manually where automatic process is not possible such as on curved lines and irregular joints. Such a welding gun is shown in Fig-24. Both manual and automatic submerged arc processes are most suited for flat and slightly downhill welding positions.

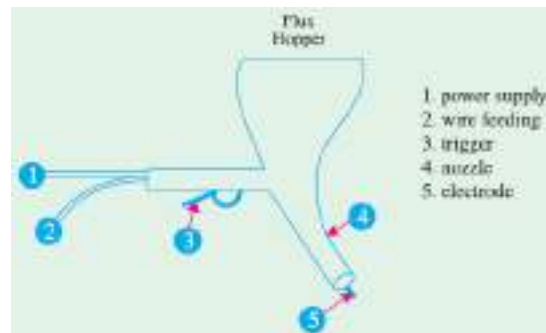


Fig-5

### **Twin Submerged Arc Welding**

As shown in Fig.25, in this case, two electrodes are used simultaneously instead of one. Hence, weld deposit size is increased considerably. Moreover, due to increase in welding current (upto 1500 A), much deeper penetration of base metal is achieved.

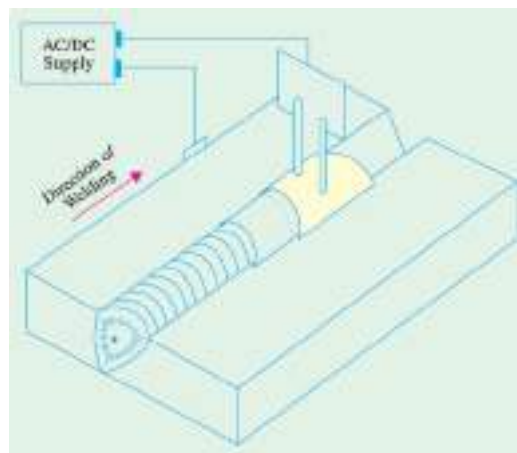


Fig-6

### **Gas Shield Arc Welding**

In this fusion process, welding is done with bare electrodes but weld zone is shielded from the atmosphere by a gas which is piped to the arc column. Shielding gases used are carbon

dioxide, argon, helium, hydrogen and oxygen. No flux is required. Different processes using shielding gas are as follows.

#### **(a) Tungsten inert-gas (TIG) Process**

In this process, non-consumable tungsten electrode is used and filler wire is fed separately. The weld zone is shielded from the atmosphere by the inert gas (argon or helium) which is ducted directly to the weld zone where it surrounds the tungsten and the arc column.

#### **(b) Metal inert-gas (MIG) Process**

It is a refinement of the TIG process. It uses a bare consumable (i.e. fusible) wire electrode which acts as the source for the arc column as well as the supply for the filler material. The weld zone is shielded by argon gas which is ducted directly to the electrode point.

### **Resistance Welding**

It is fundamentally a heat and squeeze process. The term '**resistance welding**' denotes a group of processes in which welding heat is produced by the resistance offered to the passage of electric current through the two metal pieces being welded. These processes differ from the fusion processes in the sense that no extra metal is added to the joint by means of a filler wire or electrode. According to Joule's law, heat produced electrically is given by  $H = I^2Rt/J$ . Obviously, amount of heat produced depends on. **(i)** square of the current **(ii)** the time of current and **(iii)** the resistance offered. As seen, in simple resistance welding, high-amperage current is necessary for adequate weld. Usually, R is the contact resistance between the two metals being welded together. The current is

passed for a suitable length of time controlled by a timer. The various types of resistance welding processes may be divided into the following four main groups :

**(i)** spot welding **(ii)** seam welding **(iii)** projection welding and **(iv)** butt welding which could be further subdivided into flash welding, upset welding and stud welding etc.

### **Advantages**

Some of the advantages of resistance welding are as under :

1. Heat is localized where required
2. Welding action is rapid
3. No filler material is needed
4. Requires comparatively lesser skill
5. Is suitable for large quantity production
6. Both similar and dissimilar metals can be welded
7. Parent metal is not harmed

8. Difficult shapes and sections can be welded.

Only disadvantages are with regard to high initial as well as maintenance cost. It is a form of resistance welding in which the two surfaces are joined by spots of fused metal caused by fused metal between suitable electrodes under pressure.

### **Spot Welding**

The process depends on two factors:

1. Resistance heating of small portions of the two work pieces to plastic state and
2. Application of forging pressure for welding the two work pieces. Heat produced is  $H = I^2 R t / J$ . The resistance  $R$  is made up of (i) resistance of the electrodes and metals themselves (ii) contact resistance between electrodes and work pieces and (iii) contact resistance between the two work pieces. Generally, contact resistance between the two work pieces is the greatest.

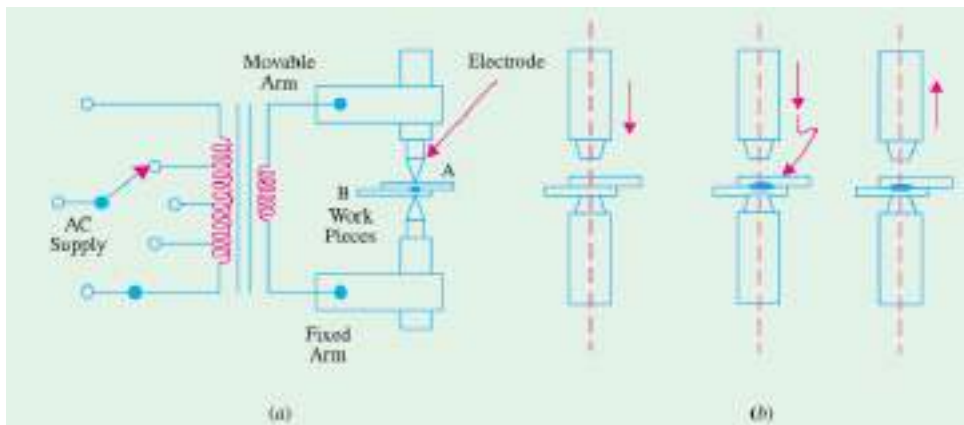


Fig-7

As shown in Fig-26 (b), mechanical pressure is applied by the tips of the two electrodes. In fact, these electrodes not only provide the forging pressure but also carry the welding current and concentrate the welding heat on the weld spot directly below them. Fig.26 (a) shows diagrammatically the basic parts of a modern spot welding. It consists of a step-down transformer which can supply huge currents (up to 5,000 A) for short duration of time. The lower arm is fixed whereas the upper one is movable. The electrodes are made of low-resistance, hard copper alloy and are either air cooled or butt-cooled by water circulating through the rifled drillings in the electrode. Pointed electrodes [Fig.27 (a)] are used for ferrous materials whereas domed electrodes are used for non-ferrous materials. Flat domes are used when spot-welding deformation is not desired. The weld size is determined by the diameter of the electrode.



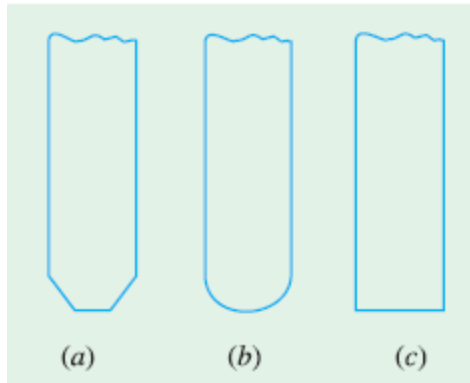


Fig-8

The welding machine is cycled in order to produce the required heat timed to coincide with the pressure exerted by the electrodes as shown in Fig.26 (a). As the movable electrode comes down and presses the two work pieces A and B together, current is passed through the assembly. The metals under the pressure zone get heated up to about 950°C and fuse together. As they fuse, their resistance is reduced to zero, hence there is a surge of current. This surge is made to switch off the welding current automatically. In motor-driven machines, speeds of 300strokes/minute are common. Spot welders are of two different types. One is a station arc welder which is available in different sizes. The other has a stationary transformer but the electrodes are in a gun form. Electric resistance spot welding is probably the best known and most widely-used because of its low cost, speed and dependability. It can be easily performed by even a semi-skilled operator. This process has a fast welding rate and quick set-up time apart from having low unit cost per weld. Spot welding is used for galvanized, tinned and lead coated sheets and mild steel sheet work. This technique is also applied to non-ferrous materials such as brass, aluminium, nickel and bronze etc.

### Seam Welding

The seam welder differs from ordinary spot welder only in respect of its electrodes which are of disc or roller shape as shown in Fig.28(a). These copper wheels are power driven and rotate whilst gripping the work. The current is so applied through the wheels that the weld spots either overlap as in Fig.28 (b) or are made at regular intervals as in Fig.28 (c). The continuous or overlapped seam weld is also called **stitch weld** whereas the other is called roll weld.

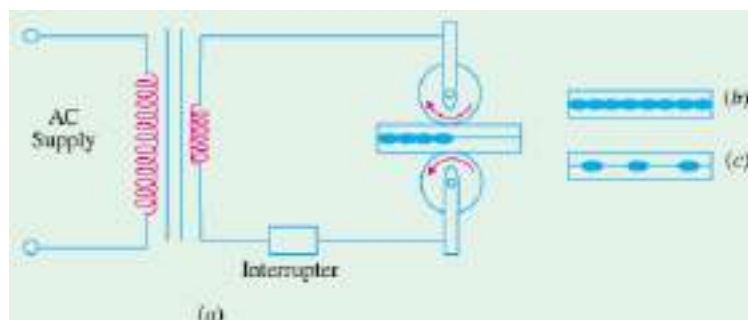


Fig-9

Seam welding is confined to welding of thin materials ranging in thickness from 2 mm to 5 mm. It is also restricted to metals having low harden ability rating such as hot-rolled grades of low alloy steels. Stitch welding is commonly used for long water-tight and gas-tight joints. Roll welding is used for simple joints which are not water-tight or gas-tight. Seam welds are usually tested by pillow test.

### Projection Welding

It can be regarded as a mass-production form of spot welding. Technically, it is a cross between spot welding and butt welding. It uses the same equipment as spot welding. However, in this process, large-diameter flat electrodes (also called platens) are used. This welding process derives its name from the fact that, prior to welding, projections are raised on the surfaces to be welded [Fig.29 (a)].

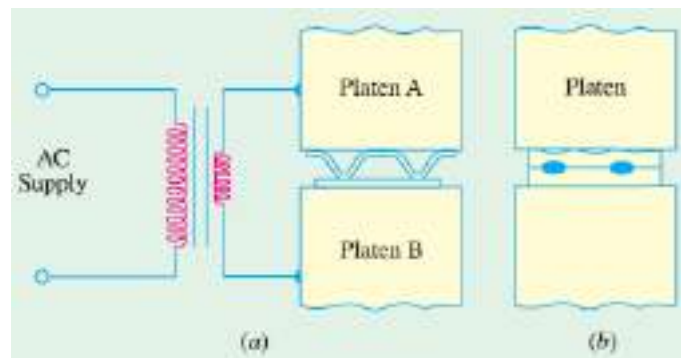


Fig-10

As seen, the upper and lower platens are connected across the secondary of a step-down transformer and are large enough to cover all the projections to be welded at one stroke of the machine. When platen A touches the work piece, welding current flows **through each projection**. The welding process is started by first lowering the upper platen A on to the work-piece and then applying mechanical pressure to ensure correctly-forged welds. Soon after, welding current is switched on as in spot welding. As projection areas heat up, they collapse and union takes place at all projections simultaneously [Fig.29(b)]. Projection welding is used extensively by auto manufactures for joining nuts, bolts and studs to steel plates in car bodies. This process is especially suitable for metals like brass, aluminium and copper etc. mainly due to their high thermal conductivity. A variation of projection welding is the metal fibre welding which uses a metal fibre rather than a projection point(Fig.30).

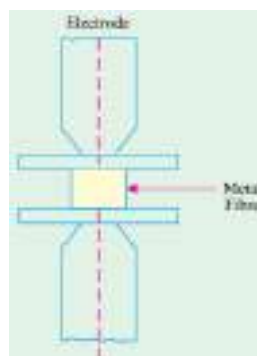


Fig-11

This metal fibre is generally a fill material. Instead of projections, tiny elements of this felt material are placed between the two metals which are then projection-welded in the usual way.

### **Butt Welding**

In this case, the two work pieces are brought into contact end-to-end and the butted ends are heated by passing a heavy current through the joint. As in other forms of resistance welding, the weld heat is produced mainly by the electrical resistance of the joint faces. In this case, however, the electrodes are in the form of powerful vice clamps which hold the work-pieces and also convey the forging pressure to the joint [Fig.31].

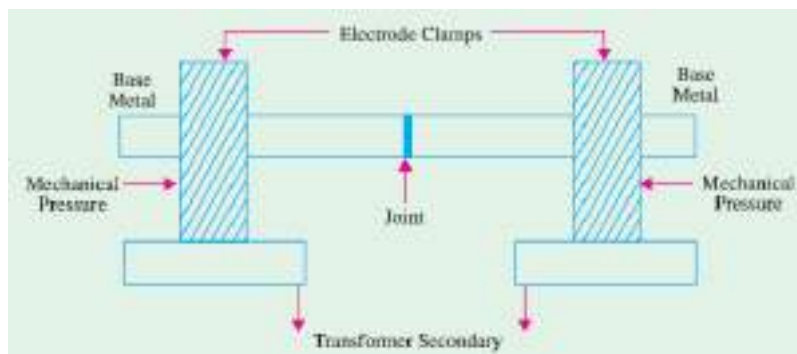


Fig-12

This process is useful where parts have to be joined end-to-end or edge-to-edge. i.e. for welding pipes, wires and rods. It is also employed for making continuous lengths of chain.

XXXXXXXXXXXX

## CHAPTER 4 ILLUMINATION

---

Light is a form of radiant energy. Various form of incandescent bodies are the sources of light and light emitted by such bodies depend upon the temperature of bodies. Heat energy is radiated into the medium by a body which is hotter than the medium surrounding it.

When the temperature increases the body changes red-hot to white-hot state, the wave-length of the energy radiated becomes smaller and enters into the range of the wave-length of light.

The ratio of the energy emitted by the body in the form of light to the total energy emitted by the body is known as the “radiant efficiency” of the body, which depends upon the temperature. Higher the temperature of the body; lower the wave-length of radiant energy and higher the efficiency.

**Luminous Intensity:**-Luminous intensity in any given direction is the luminous flux emitted by the source per unit solid angle, measured in the direction in which the intensity is required. It is denoted by symbol I and is measured in candela (cd) or lumens per steradian.

**Lumen:** - The lumen is the unit of luminous flux and is defined as the amount of luminous flux given out in a space represented by one unit of solid angle by a source having an intensity of one candle power in all directions.

$$\text{i.e., Lumens} = \text{candle power} \times \text{solid angle} = CP \times \omega$$

Or, total lumens given out by source of one candela is  $4\pi$  lumens

**Illumination:-** When the falls upon any surface, the phenomenon is called the illumination. It is defined as the number of number of lumens, falling on the surface, per unit area. It is denoted by symbol E and is measured in lumens per square meter or lux or meter-candela.

If a flux of F lumens falls on a surface of area A , then the illumination of that surface is

$$E = \frac{F}{A} \text{ lumens per meter}$$

**Mean Horizontal Candle Power (MHCP):-** It is defined as the mean of candle powers in all directions in horizontal plane containing the source of light.

**Mean Spherical Candle Power (MSCP):-** It is defined as the mean of candle powers in all directions and in all planes from the source of light.

**Mean Hemi-Spherical Candle Power (MHSCP):-** It is defined as the mean of candle powers in all directions above or below the horizontal plane passing through the source of light.

**Brightness or luminance:** it is defined as the luminous intensity per unit projected area of either a surface source of light or a reflecting surface and is defined by L.

$$L = \frac{1}{A \cos \theta} \text{candela/m}^2 \text{ or nits}$$

**Solid Angle:** Plane angle is subtended at a point in a plane by two converging straight lines and its magnitude is given by

$$\omega = \frac{\text{Arc}}{\text{Radius}} \text{radians} .$$

## **LAWS OF ILLUMINATION:**

There are two laws of illumination (1) Law of inverse squares (2) Lambert's cosine law

### **1. LAW OF INVERSE SQUARES:**

The law of inverse square states that “The illumination of a surface is inversely proportional to the square of the distance between the surface and the light source provided that the distance between the surface and the source is sufficiently large so that the source can be regarded as a point of source.”

If a source of light which emits light equally in all directions be placed at the centre of a hollow sphere, the light will fall uniformly on the inner surface of the sphere, that is to say each square mm of the surface will receive the same amount of light. If the sphere be replaced by one of the larger radius, the same total amount of light is spread over a larger area proportional to the square of the radius. The amount which falls upon any square mm of such a surface will, therefore, diminish as the radius increases, and will be inversely proportional to the square of the distance.

*Mathematically it can be proved as follows:*

Let us consider surface area  $A_1$  and surface area  $A_2$  at distances  $r_1$  and  $r_2$  respectively from the point source  $S$  of luminous intensity  $I$  and normal to the rays, as shown in fig.

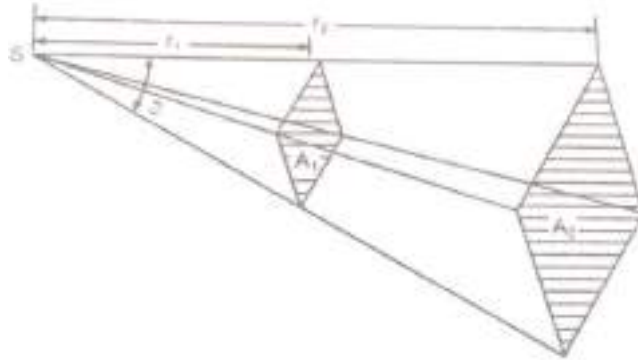


Fig. 1

### **Inverse Square Law:**

Let the solid angle subtended be  $\omega$  steradians

Luminous flux radiated per steradians =  $I$

Total luminous flux radiated =  $I\omega$  lumens

Illumination on the surface of area  $A_1 = I\omega/A_1$  lumens per unit area

And area  $A_1 = \omega r_1^2$

Illumination on the surface of area  $A_1$ ,

$$E_1 = I\omega/\omega r_1^2 = I/r_1^2 \text{ lumens per unit area}$$

Similarly illumination on the surface of area  $A_2$ ,

$$E_2 = I\omega/A_2 = I\omega/\omega r_2^2 = I/r_2^2 \text{ lumens per unit area.}$$

### **2. Lambert's Cosine Law:**

This law states that the illumination at any point on a surface is proportional to the cosine of the angle between the normal at that point and the direction of luminous flux.

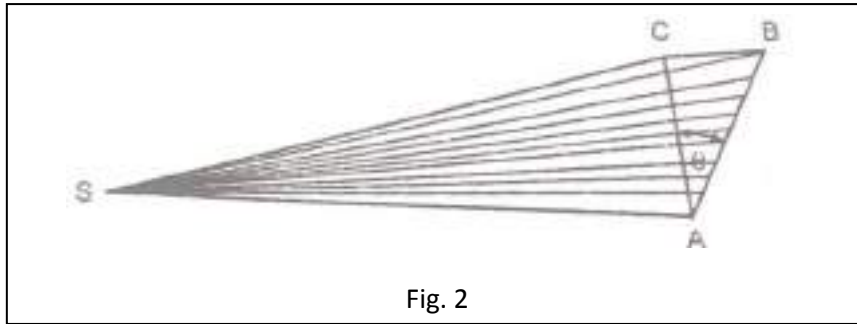


Fig. 2

### Lambert's Cosine Law

The above figure shows that the area over which the is spread is then increased in the ratio

$$AB/AC=1/\cos\theta$$

And the illumination decreases in the ratio  $\cos\theta/1$

The expressions for the illumination then becomes

$$E=I \cos\theta / r^2.$$

### POLAR CURVES:

The luminous intensity in all directions can be represented by polar curves. If the luminous intensity in a horizontal plane passing through the lamp is plotted against angular position then this curve is known as horizontal polar curve. If the luminous intensity in a vertical plane is plotted against the angular position, then curve is known as vertical polar curve. The vertical and horizontal polar curve is shown as fig.

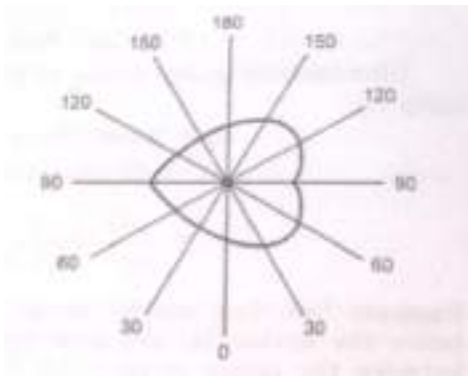


Fig.3a.Polar Curve for Horizontal plane Plane

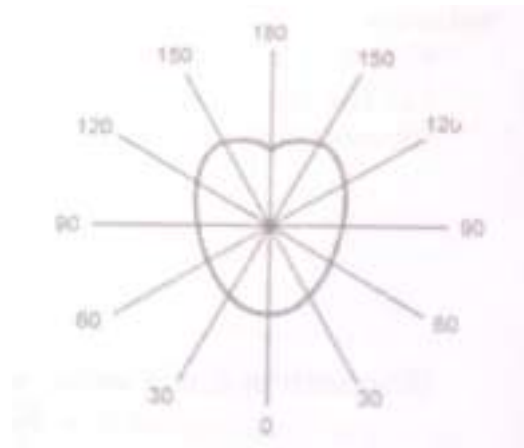


Fig 3.b. Polar Curve for Vertical Plane

The polar curves are used to determine the mean horizontal candle power and mean spherical candle power. These are used to determine the actual illumination of a surface by employing the candle power in that particular direction.

**Maintenance Factor:** The ratio of illumination under normal working conditions to the illumination when the things are perfectly clean is known as maintenance factor.

*Illumination under normal working conditions / illumination when everything is perfectly clean.*

**Depreciation Factor:** It is defined as the ratio of initial meter candles to the ultimate maintained meter candles on the working plane. It is also the inverse of the maintenance factor. Its value is more than 1.

### **TYPES OF LIGHTING SCHEMES:**

The distribution of the light emitted by lamps is controlled by means of reflectors and translucent diffusing screens. The interior lighting schemes is classified as (a) direct lighting (b) semi-directing lighting (c) in directing lighting (d) general lighting.

**Direct lighting:** It is the most commonly used type of lighting scheme. In this scheme more than 90 percent of total light flux is made to fall directly on the working plane with the help of deep reflectors. It is mainly used for industrial and general outdoor lighting.

**Semi-direct lighting:** in this lighting scheme 60 to 90 percent of the total light flux is made to fall downwards directly with the help of semi direct reflectors, remaining light is used to illuminate the ceiling and walls. Such a lighting scheme is best suited to rooms with high ceilings where a high level of uniformly distributed illumination is desirable.

**Semi-indirect lighting:** In This lighting scheme 60 to 90 percent of total light flux is thrown upwards to the ceiling for diffuse reflection and the rest reaches the working plane directly except for some absorption by the bowl. This lighting scheme is with soft shadows and glare free. It is mainly used for indoor light decoration purposes.

**Indirect Lighting:** In this light scheme more than 90 percent of total light flux is thrown upwards to the ceiling for diffuse reflection by using inverted or bowl reflectors. in such a system the ceiling acts as the light source, and the glare is reduced to minimum. The resulting illumination is softer and more diffused, the shadows are more prominent and the appearance of room is more improved over which that results from direct lighting. it is used for decoration purposes in cinemas, theatres and hotel etc. and in workshops where large machines and other and obstructions would cause troublesome shadows if direct lighting is employed.

**General Lighting:** in this scheme lamps made of diffusing glass are used which give nearly equally illumination in all directions.

### **GAS DISCHARGE LAMP:**

The basic principle of a gaseous discharge lamp as shown in fig. Gases are normally poor conductors at atmospheric and high pressures. When application of suitable voltage, known as ignition voltage across the two electrodes, as result in a discharge through the gas which is



accompanied by electromagnetic radiation. The wave-length of this radiation depends upon the gas, its pressure and the metal vapour used in lamp.

Once the ionization has commenced in the gas, it has a tendency to increase continuously accompanied by a fall in the circuit resistance. In order to limit the current to a safe value of a choke or ballast is made. The choke performs the dual functions of providing the ignition voltage initially and limiting the current. Since due to use of choke the power factor becomes poor, i.e.0.3-0.4 .Therefore in order to improve the power factor of the gaseous discharge lamp use of a condenser. The colour of the light obtained depends upon the nature of the gas or vapour used.



Fig. 4. Gaseous Discharge Lamp

The production of light by these lamps is based on the phenomenon of excitation and ionization in a gas or vapour . We shall now briefly discuss this phenomenon with reference to the structure of an atom. An atom has a positive nucleus and one or more electrons revolving around it in certain fixed orbits. In certain solids and gases there are what are known as free electrons which can escape from the influence of the nucleus of one atom and go over to another atom. There are thus a number of electrons which are mobile in nature. If a potential difference is applied to two electrodes placed in a gas having a large number of free electrons, these electrons will be attracted to the positive electrode and the velocity acquired by an electron will depend upon the potential gradient. During its motion towards the positive electrode, an electron will strike other atoms and one or more of the following results may be produced.

- ELASTIC COLLISION

The electron may be bounced off the atom it strikes and there may be no change in its velocity. This happens when the striking electron has a small amount of kinetic energy.

- EXCITATION

If the electron has acquired kinetic energy above a certain critical value in the process of passing through a certain potential which is termed as the excitation potential, the collision may cause one of the electrons to jump from its normal orbit into another one. This happens when the colliding electron has a kinetic energy of 2.1eV. The colliding electron imparts its kinetic energy to the atom that it strikes and this atom is said to be in an excited state. In this way the atoms can be placed in the 1<sup>st</sup>, 2<sup>nd</sup>, 3<sup>rd</sup>, 4<sup>th</sup> or higher excited states depending upon the kinetic energy of the colliding electron.

- IONISATION BY COLLISION

If the kinetic energy of the colliding atom is large, it will completely knock out an electron from its orbit and this electron will now behave like a free electron and may produce more free electrons by collision. A large number of free electrons thus produced constitute a

heavy current and an electric arc may result. This phenomenon is called *ionization*. Ionization potential is the potential difference through which an electron must travel to acquire energy for ionization by collision.

### Neon Lamp

These belong to the cold-cathode category. The electrodes are in the form of iron shells and are coated on the inside. The colour of the light emitted is red and these lamps are mostly used for electrical advertising. High voltage is used for starting. If helium gas is used in place of neon, pinkish white light is obtained. Helium and neon through coloured glass tubing produce a variety of effects. Figure below shows a circuit for a neon lamp. The transformer has a high leakage reactance, which stabilize the arc in the lamp. A capacitor is used for power factor improvement.

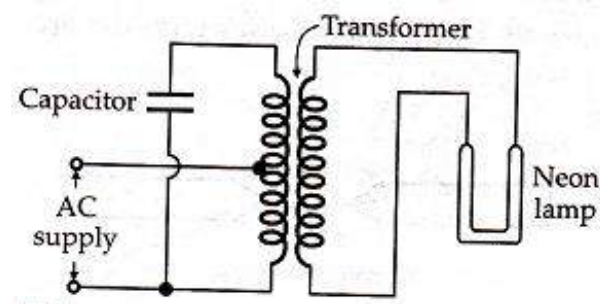


Fig. 5. Neon Lamp

### Sodium Vapour lamp

Sodium vapour has the highest theoretical luminous efficiency and gives monochromatic orange-yellow light. The monochromatic light makes objects appear grey. Such lamps on account of this factor are used only for street and highway lighting.

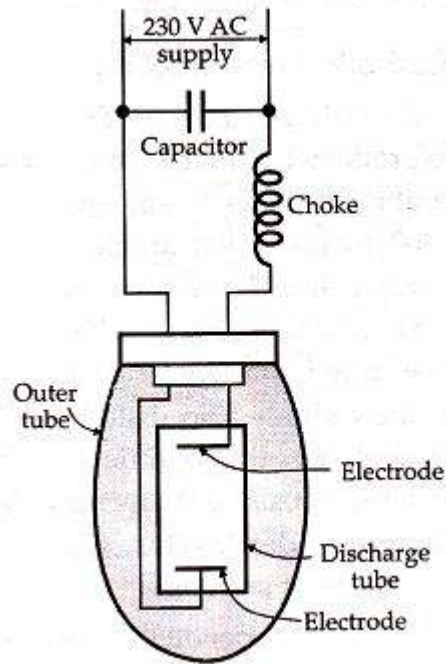


Fig. 6 Sodium Vapour Lamp

The Lamp consists of a discharge tube having special composition of glass to withstand the high temperature of the electric discharge. The discharge tube is surrounded by an outer tube as shown below. For heating the cathode a transformer is included. Sodium below  $60^{\circ}\text{C}$  is in solid state. For starting the lamp the electric discharge is allowed to take place in neon gas. The temperature inside the discharge tube rises and vapourises sodium. Operating temperature is around  $230^{\circ}\text{C}$ . It takes about 10 minutes for the sodium vapour to displace the red colour of neon by its brown yellow colour. The lamp takes about half an hour to reach full output. A choke is providing for stabilizing the electric discharge and a capacitor for power factor improvement. The light output is about 40 to 50 lumens per watt.

### Mercury Vapour Lamp

It is similar in construction to the sodium vapour lamp. The electrodes are tungsten coils containing an electron emitting material which may be a small piece of thorium or an oxide mixture. Argon is introduced to help start the lamp. The electric discharge first takes place through argon and this vaporizes the mercury inside the discharge tube. The electron emitting material supplies electrons to maintain the arc.

The space between the two bulbs is filled with an inert gas. The pressure inside the discharge tube may range from one to ten atmospheres in lamps used for lighting purposes as at these pressures the radiation is in the visible spectrum. If the pressure inside the discharge tube is low, most of the light is in the ultraviolet region. The efficiency is 30 to 40 lumens per watt.

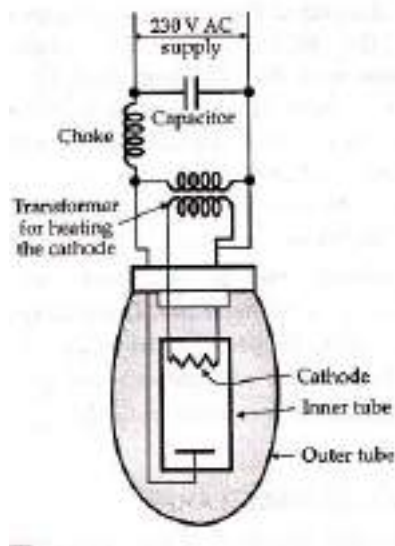


Fig.7 High pressure Mercury vapour Lamp

## Fluorescent Lamp

In the mercury vapour lamp considerable amount of radiation is in the ultra violet range. By coating the inside of the tube by phosphor this ultra violet radiation is converted in visible light. Phosphors have definite characteristic colours but when mixed together they produce a large variety of colours. These phosphors are stable compounds and give a high output throughout the life of the lamp.

There are three types of fluorescent lamps:

1. Iron cathode or cold cathode type
2. Tungsten cathode, pre-heated type
3. Tungsten cathode, cold

In the cold cathode discharge tube under normal operating conditions which depend on the type and pressure of the gas and the type of electrodes, a glow discharge takes place which is discontinuous near the cathode where crookes and faraday dark space occur due to the formation of space charges in the gas. There is fairly large fall in voltage in this region. Then there is the positive column which provides useful illumination. The voltage drop along the positive column is proportional to its length. The large voltage drop at the cathode is independent of the tube length and depends only on the cathode material and the gas pressure. It may be between 100 and 200 volts. If, therefore, a cold cathode tube were to be operated from the mains, it would be very inefficient since most of the voltage will be utilized in overcoming the cathode voltage drop. It becomes necessary to use high voltage for the economic operation of this type of lamp. Also the lamp is not efficient unless its length is considerable. However, cold cathode tubes are of smaller diameter and can give any shape which makes them suitable for display and advertisement purpose.

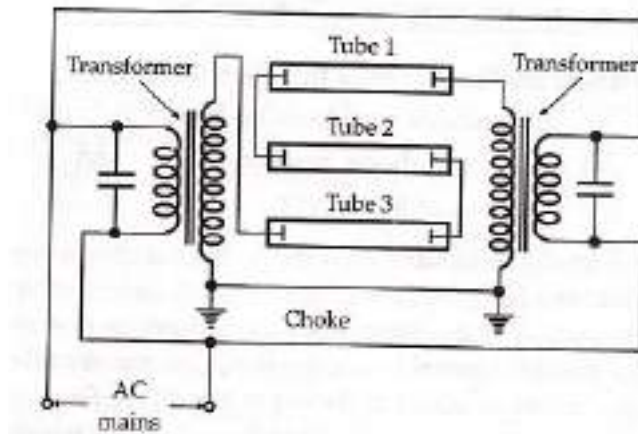


Fig. 8 Operation of the cold cathode lamps in series

### Tungsten Cathode Preheated Type

In tungsten cathode preheated type electrons are produced by thermionic emission. Lower starting operating voltages are adequate. A transient voltage of 300 to 600 volts applied by the starter initiates the arc stream. The coating material decays in each starting of the lamp. The constant impact of electrons on the cathode also dislodges some of the emitting material. Finally so little of the materials is left that it is not possible to emit any electrons and the lamp becomes dead. This type of lamp is unsuitable for frequent starting

Fluorescent lamps produce flicker or stroboscopic effect since on 50 cycle supply they are extinguished 100 times a second. Single lamp cannot be operated without flicker. Flicker correction can be applied to pairs of lamps.

Radio interference is another effect produced by fluorescent lamps and has to be removed by suitable filter circuits. The advantage of fluorescent lamp is that its efficiency and life under normal conditions are almost three times those for filament lamps. The quantity of light obtained is superior, glare is minimum and the fluorescent light source casts soft shadows. However, the initial cost of the lamp and filling is higher than the incandescent lamps.

Starters of automatic starting switches are of two types:

1. Thermal Type
2. Glow discharge Type

The thermal starter has a heater coil which heats a bimetallic switch. The heater coil remains energized to keep the bimetallic switch open throughout the operation. It therefore, consumes a small amount of power. Figure below shows the circuit diagram of fluorescent lamp started by a thermal starter. When the supply is switched on the contacts of the bimetallic switch are closed and the current passes through the electrodes and heats them up. But after an interval of a few seconds the heater coil heats up the bimetallic strip and the bimetallic switch contacts open. This starts a high voltage transient across the electrode due to the presence of the choke or ballast in the circuit. An arc is struck between the electrodes due to the high voltage

transient. The identical circuit showing the use of a glow starter can also be used as shown. The glow starter is enclosed in a glass bulb filled with neon or argon. One of the electrodes is a bimetallic strip.

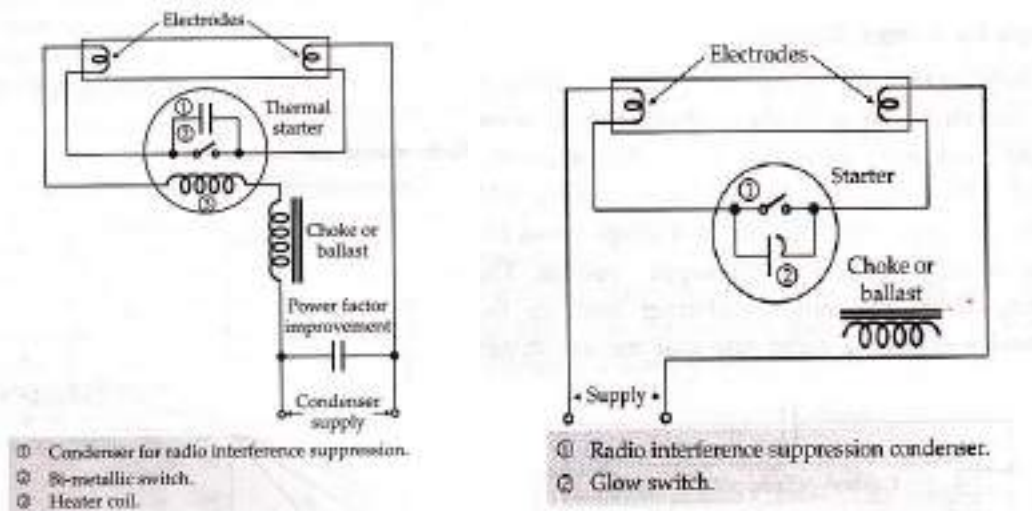


Fig.9 Fluorescent lamp

When the normal voltage is applied to the lamp, a glow discharge takes place across the glow switch and small current flows through the electrodes. The bimetallic strip expands due to the heating effect of the current in the glow discharge. The expansion of bimetallic strip causes the electrodes touch each other and the electrodes get pre heated due to flow of an appreciable amount of current. Mean while the bimetal cools. The glow switch opens and the resultant high voltage transient starts the arc discharge through the tube.

XXXXXXXXXX

## Introduction

Electrical energy is finding increasing application in industrial and commercial fields. Electric drive for industrial purposes is now almost universal. There are number of inherent advantages that the electric drive possesses over other forms of conventional drives. It is cleaner, more easily controllable and more flexible. With greater advancement in the development of Electric motors and control gear, the trend in the industry is towards an all-electric drive.

Both d.c. And a.c. is used for electric drives. Use of d.c. is limited on account of permissible voltage drop in feeders. But d.c. systems are still in use for many reasons.

The electric drive due to various inherent advantages has been universally adopted by the industry. Both A.C. and D.C. motors are used, however, A.C. system is preferred. The utilization of electrical energy is always advantageous as it is cheaper ,it can be easily transmitted at comparatively low line losses it is easy to maintain the voltage at consumer premises within the prescribed limits and it is possible to increase or decrease the voltage without appreciable loss of power.

In spite of the advantages of A.C. system, following are the applications of D.C. Industrial drives:

- (i) For traction purposes, as in such application a very high starting torque is required. The starting torque can be obtained from D.C. series motor at low operating cost.
- (ii) The speed of A.C. motors is almost constant, where as it can be varied easily in case of D.C. motor. Thus for variable speed applications such as lift and Ward Leonard system etc., the D.C. motors are preferred.
- (iii) D.C. motors are also used in industry where very high accuracy of speed control is required.
- (iv) The cost of change-over from d.c. to a.c. involves changes both in the power system and the consumer's equipment and is likely to be expensive.
- (v) In some processes, Example: - electro-chemical, battery-charging etc. d.c. is the only type of power that is suitable.

### **Group Drive**

Where a number of machines are driven through belts from a common shaft, it is known as *group drive*. Alternatively, each machine may have its own driving motor, in which case it is called individual *drive*.

In group drive case, one motor is used as a drive for two or more machines. The motor is connected to a long shaft. The machines are connected to this shaft through belt and pulleys. The use of this kind of drive is restricted due to the following reasons:

- (i) If at certain instance all the machines are not in operation, then the motor will be working at low capacity.
- (ii) In case of fault in the motor all the machines connected to this motor will cease to operate thereby paralyzing either complete or part of industry up till the time the fault is removed.
- (iii) It is not possible to install any machine at a distant place.
- (iv) The possibility of installation of additional machines in an existing industry is limited.

However, there are certain advantages of the group drive, which are detailed below:

- i. Initial cost of installing the industry is low. For example , if the power requirement of each machine is 10 H.P. and there are 10 machines in the group, then the cost of ten numbers 10 H.P. motors will be much more than one 100 H.P. motor. Further, it is learnt from practical experience that the combined requirement of all these ten machines at a time will be less than 100 H.P. This further reduces the initial cost.
- ii. In certain industrial processes one process is connected to another process and will be advantageous if all these interconnected processes are stopped simultaneously.

### **Individual drive :**

In this case there is a separate driving motor for each machines. Such a drive is very common in most of the industries. It has the following advantages :

- i) If there is a fault in one motor, the effect on the production or output of the industry will not be appreciable.
- ii) Machines can be located at convenient places.
- iii) Continuity in the production of the industry is ensured to a higher degree.

Following is the disadvantage:

- i) Initial cost will be high.

### **Selection of Motors :**

Due to the universal adoption of electric drive, it has become necessary for the manufacturer to manufacture motors of various designs according to the suitability and use in various classes of industry. This has resulted into numerous types of motors. For this reason, the selection of motor itself has become an important and tedious process. Taking into account the conditions under which a motor is required to operate, following factors will decide the type of motor required. :

1. **Electrical Characteristics:** The following are the electrical characteristics:

- a. Starting characteristics
- b. Running characteristics



- c. Speed control
- d. Braking

2. Mechanical Characteristics. These are:

- a. Structural feature i.e. type of enclosure and bearing.
- b. Method employed for transmission of power.
- c. Noise.
- d. Type of cooling.

### 3. Size and Rating of motors.

Following are the sub-heads under these characteristics;

- a. Rating of the motor.
- b. Suitability of the motor for continuous intermittent or variable loads.
- c. Over load capacity.

### 4. Cost;

- a. Initial cost.
- b. Running cost.

In addition to the above factors, the type of current is also to be taken into consideration. From above it will be seen that the basic problem is to study carefully and thoroughly the load requirement, its surrounding and type of job it has to perform and then a motor which has the required characteristics and fulfil all the requirements is selected. The factors described above have been discussed in the following pages in detail.

### Starting characteristics

The starting torque exerted by a motor should be large enough to accelerate the motor and its load to the rated speed in a reasonably short time. Some motors may have to start against full load torque, Ex:- motors driving grinding mills or oil expellers. In the case of lifts and hoists, the motors have to start frequently with acceleration.

At the time of starting a motor two torques come into play: the torque required to overcome the static friction and the torque necessary to accelerate the motors and its load to the desired speed. The torques required for static friction cannot be easily determined. The torque for acceleration depends upon the load torque itself. The load torque may:

- (i) Increase with speed i.e., may be proportional to (speed)<sup>2</sup> as in the case of a fan or centrifugal pump OR
- (ii) Remain constant with speed as in the case of a hoist.

The starting gear should, therefore be able to carry the starting current taken by a motor to a safe value consistent with the production of the necessary starting torque.

## Starting Torque of DC Motors

Starting Torque in case of DC motors. Consider P poles motor producing flux  $\phi$  webers per pole and let,  $I_a$  be the total armature current. if the number of parallel paths are A, then the gross torque  $T_g$  is given as:

$$T_g = \frac{1}{2\pi} \times \frac{\phi Z P I_a}{A} m.Nw = 0.159 \frac{\phi Z P I_a}{A} m.Nw = 0.0162 \frac{\phi Z P I_a}{A} m.Kg$$

Now, whole of this torque developed will not be available at the pulley or is not available for doing useful work, since some of the power (Torque) developed is utilized in supplying friction and windage losses. The difference of gross Torque and the Torque lost in friction is called the shaft torque.

Let,  $\omega$  be the angular speed of motor.

Power developed by the armature =  $T_g \omega$  metre-Newtons or joules or watts

$$= \frac{2\pi N T_g}{60}$$

But 1 H.P.(metric) = 735.5 watt

$$\therefore \text{H.P. (metric) developed by the armature} = \frac{2\pi N T_g}{60 \times 735.5}$$

The torque therefore, depends upon the product of flux and armature current and is independent of speed i.e. ,  $T \propto I_a$  .

In the case of a shunt motor, both the armature and the field are connected in parallel across constant voltage mains. The current taken by the field is, therefore, constant and hence the flux will be maintained constant so long as the field current remains constant. Therefore the torque in a shunt motor varies as the armature current. The torque –armature current curve is a straight line passing through the origin. Full-load current will produce full-load torque and twice the full-load current will produce twice the full-load torque.

In the case of D.C. series motors, the current in the series winding and the armature is same. The flux is dependent directly on the value of the current the motor draws. Torque is, therefore, proportional to the square of the armature current i.e.  $\propto I_a^2$  .The torque-current curve is ,therefore, a parabola. But the flux varies as the current only upto the limit of saturation of the magnetic circuit and the torque current curve is parabolic in shape only up to the limit of saturation. Beyond the saturation point since " $\phi$ " "does not vary appreciably the torque current curve is almost a straight line. A d.c. series motor is, therefore suitable for drives starting with heavy loads, Ex- electric train ,hoists and lifts etc.

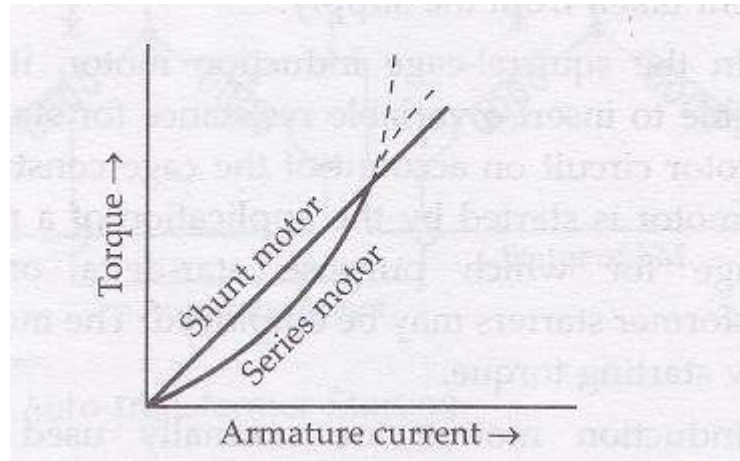


Fig..1 Torque Current characteristics of DC motor

### Three-Phase Induction motors

In a three-phase induction motor, if

$r_1$  = stator resistance per phase

$r'_2$  = rotor resistance per phase referred to the stator

$x_1$  = stator reactance per phase

$x'_2$  = rotor reactance per phase referred to the stator

$s$  = slip

$V$  = stator applied voltage per phase,

Then the torque,  $T$ , is given by

$$T = k \frac{V^2 r'_2 / s}{(r_1 + \frac{r'_2}{s})^2 + (x_1 + x'_2)^2} \quad \text{and}$$

$$\text{Stator current per phase is: } I = \frac{V}{\sqrt{(r_1 + \frac{r'_2}{s})^2 + (x_1 + x'_2)^2}}$$

If  $k$  is made unity, the torque is expressed in synchronous watts per phase.

At starting,

$$s = 1$$

Therefore, starting Torque,

$$T_s = \frac{V^2 r'_2}{(r_1 + r'_2)^2 + (x_1 + x'_2)^2} \quad \text{synchronous watts per phase}$$

and starting current per phase

$$I_s = \frac{V}{\sqrt{(r_1 + r'_2)^2 + (x_1 + x'_2)^2}} \quad \text{amperes.}$$

The starting torque is a maximum if the rotor resistance per is made equal to its leakage reactance. It is, therefore, usual to start a slip ring induction motor with a variable

resistance in its rotor circuit to have a good starting torque and to cut the resistance in steps as the motor speeds up. The resistance in the rotor circuit also serves the purpose of limiting the starting current taken from the supply.

In the squirrel cage induction motor, it is not possible to insert a variable resistance for starting in the rotor circuit on account of the cage construction. The motor is started by the application of a reduced voltage for which purpose star-delta or auto-transformer starters may be employed. The motor has a low starting torque

Induction motors are normally used where constant torque is required, ex- in paper machinery, textile machinery, compressors, conveyors etc. Squirrel cage motors are more reliable, cheaper and easier to use where as phase wound motors are expensive and maintenance is complicated. The former are used for low and medium H.P. while the latter are used for high H.P.

Motors with double cage have a high starting torque. The outer cage is made of high-resistance metal bars and inner cage is made of copper bars. The inductance of the inner winding is higher than that of the outer high resistance winding. At the instant of starting, the motor induced currents are at the line frequency and the inner cage has a high reactance ( $2\pi fL$ ) with the result that the rotor currents remain confined to the outer cage despite its high resistance. The starting torque is, therefore, high. During normal running, the reactance of the inner cage decreases ( $2\pi s f L$ ), and the rotor currents are now confined to the inner cage which is a low resistance winding. This gives a high efficiency of the motor.

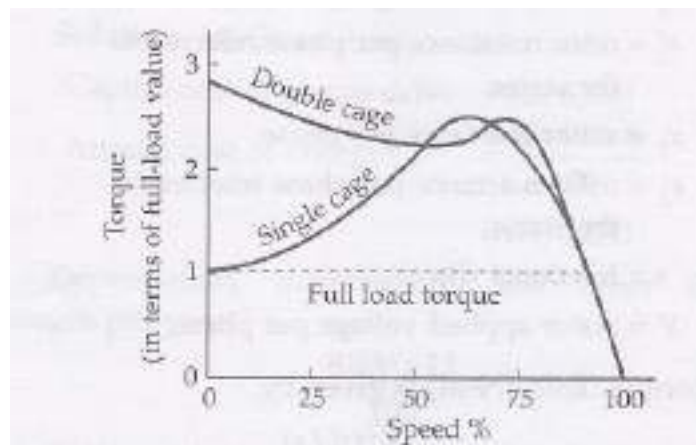


Fig.2 Torque speed characteristics of Induction motor

The Figure above shows the speed-torque curves of a single cage and double cage motor.

An important relation existing for three-phase induction motor, i. e.

$$\frac{\text{Starting Torque}}{\text{Full - Load torque}} = \left( \frac{\text{Starting Current}}{\text{Full - Load Current}} \right)^2 \times \text{Full Load slip}$$

$$i. e., \frac{T_s}{T_L} = \left( \frac{I_s}{I_L} \right)^2 \times s_{FL}$$

## Methods of starting 3-phase induction motors

It is desirable to start a.c. motors at full voltage to attain simplicity and economy in the starting gear. Induction motors can be designed and built to enable them to be started on full voltage. But in case of cage motors the starting current may be large enough to produce considerable voltage drop in the distribution system which may adversely affect other apparatus and also cause light flicker.

Induction Motors are therefore, started on reduced voltage. The various methods of starting are discussed as follows:

### 1. Resistor starting method

A series resistor is used in each line and may be arranged in a manner that the resistance is reduced to zero in steps so that the motor current may increase to the full value gradually and transients are avoided.

The torque efficiency which is

$$\frac{\text{Torque developed by the Motor / Full load torque}}{\text{Current of Motor / Full load current}}$$

A motor having a starting torque equal to twice the full-load torque and a starting current six times the full load current has a torque efficiency =  $2/6=0.33$ .

If the same motor is started at 60 percent voltage by using resistors, the line current will be  $(0.6 \times 6 \times \text{full-load current})$  and the starting torque will be  $[0.6 \times 0.6 \times 2 \times \text{full-load torque}]$ . The Torque efficiency will be  $(0.6 \times 0.6 \times 2) / (0.6 \times 6) = 0.2$ .

### 2. Reactor starting

It is not a frequently employed as resistors or auto transformer starting, though the method is similar to resistor starting. The acceleration is very smooth in this case though the acceleration time is comparatively longer.

### 3. Autotransformer starting

Taps are provided on the auto transformer so that the motor can be started at reduced voltage. Taps are for 50, 65 and 80 percent of line voltage; the 50 percent tap being provided only in the case of sizes above 50 H.P. In the second method of operation the large transient current is reduced since the motor is always connected through the auto-transformer winding to the line.

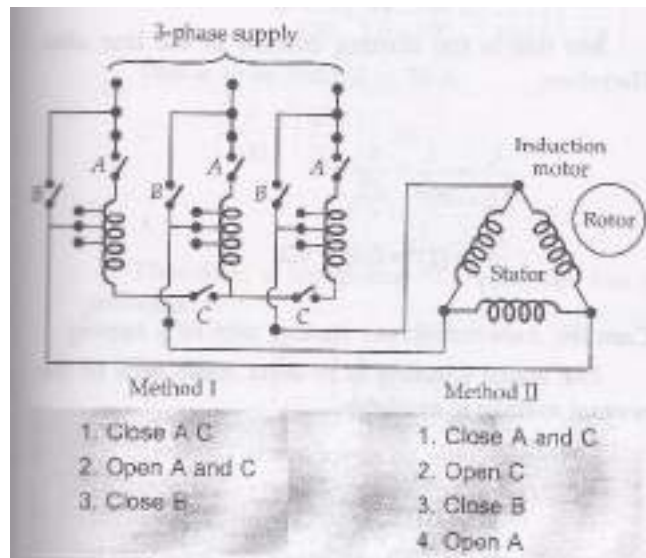


Fig. 3. Starting of SQIM by Autotransformer starter

We can determine the reduction in the starting current when using auto-transformer starter. Consider an auto-transformer with a transformation ratio  $K = \frac{\text{Primary Voltage}}{\text{Secondary voltage}}$ . Consider also that the motor has a starting torque equal to twice full-load torque and starting current equal to six times the full load current. If the motor is started at full voltage, phase voltage  $E_{ph} = \frac{E}{\sqrt{3}}$  and starting current =  $6I$ . When the motor is started through an auto-transformer, the phase voltage is  $E_{ph}/k$  and the starting current =  $6I/k$ .

Also we have  $\frac{E_{ph}}{V_{ph}} = k = \frac{N_1}{N_2} = \frac{I_2}{I_1}$

Where  $N_1$  = No. of primary turns

$N_2$  = No. of secondary turns

$I_1$  = primary current

$I_2$  = secondary current

$I_2 = 6I/k = kI_1$       or    $I_1 = (6/k)^2 I$ .

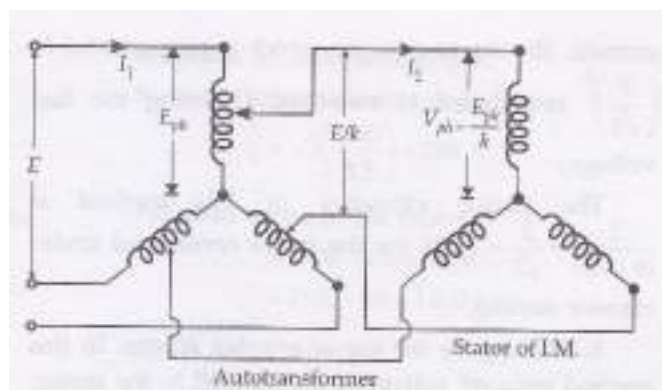


Fig.4 Autotransformer starting principle

Therefore, the line current is reduced inversely as the square of the ratio of transformation. Since the torque is proportional to the square of the applied voltage, the starting torque is proportional to  $V_{ph}^2$  or  $(E_{ph}/k)^2$ . If  $T$  is the full voltage starting torque, starting torque at reduced voltage =  $T/k^2$ .

$$\text{The torque efficiency} = 2/(6/k)^2 = 0.33 k^2$$

#### 4. Star-delta starting

The stator of the cage motor is connected in star in the starting position and in delta in the running position, so that  $\frac{1}{\sqrt{3}}$  of the line voltage is impressed on each phase at the time of starting. A star-delta starter is shown schematically in figure ..., The starting line current of the motor with star-delta starter is also reduced to  $\frac{1}{\sqrt{3}}$  full voltage starting line current. The starting torque, which is proportional to  $(\frac{E}{\sqrt{3}})^2$  is reduced to one-third. (Where  $E$  is the line voltage).

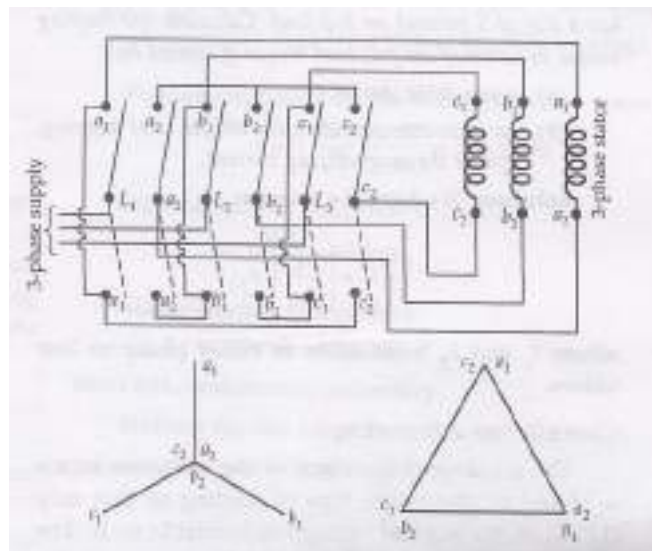


Fig..5. Star delta starting

The torque efficiency in this method is  $\frac{2}{6/\sqrt{3}} = \frac{1}{\sqrt{3}} = 0.576$  for the motor considered under resistor starting.

#### 5. Starting by the use of slip-ring starter :

In this method reduced voltage is not applied to the motor. The full voltage is applied to the stator but resistance is inserted in each phase of the wound rotor. Since the stator and rotor can be regarded as the primary and secondary of a transformer, the resistors in the secondary limit the currents in the rotor winding and since in a transformer  $\frac{I_1}{I_2} = \frac{V_2}{V_1}$ , the stator current  $I_1$  is also reduced.

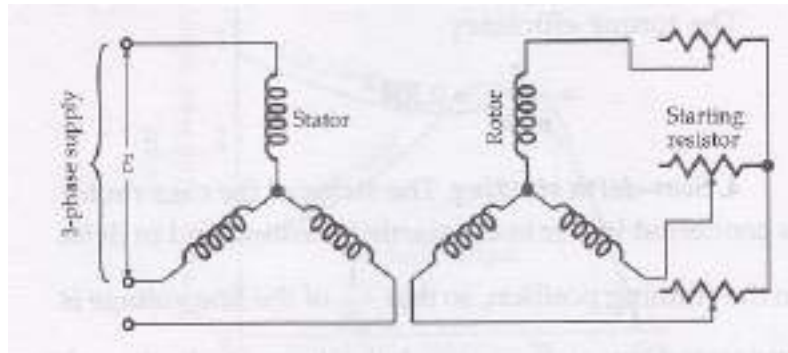


Fig.6. Rotor resistance starter

### Limitation of size

From the foregoing examples it is seen that the starting torque in case of cage motor varies with the type of starting method employed. In fact the starting difficulty of cage-type motors has limited their application to loads requiring not more than about 40 or 50 hp with not more than about 50 percent full-load torque. The slip-ring motor is used beyond this limit.

Next, discussion will be made in brief about the starting of other type of motors.

### 1.4. Single-Phase Induction Motors

A single-phase induction motor does not have a rotating magnetic field. It has only a pulsating field and therefore does not possess any starting torque. The following three methods are employed to make the motor self-starting.

- (a) **Pole-shading:** The motor is of squirrel-cage type and the stator pole is shaded by a heavy copper wire or strip. The current induced in the shading coil causes the magnetic field through the shaded portion of the pole face to lag behind the main flux thereby producing a rotating magnetic field. Such motors have a low starting torque but are quite economical in small sizes.
- (b) **Phase-splitting:** A two-phase supply is obtained from a single-phase line by using a capacitor. The motor has a cage-rotor and a stator containing two separate windings located in the same manner as for a two-phase stator. One of the windings is connected directly to supply and the other through the capacitor. A rotating magnetic field is obtained in the air-gap. There are two types of capacitor motors: the capacitor start motor, in which case the capacitor is in circuit only during the starting period and is disconnected at a predetermined speed by a centrifugal switch; the other type is the capacitor start and run motor where the capacitor is connected permanently and improves the power factor of the motor.



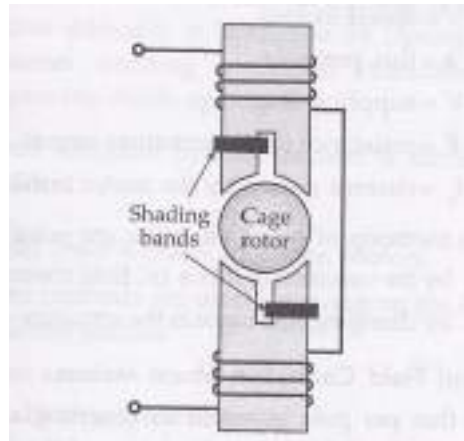


Fig..7 Shaded pole motor

- (c) **Repulsion motor starting:** the rotor has a repulsion motor winding and therefore starts as a repulsion motor giving high starting torque. As it runs to speed a centrifugal device short-circuits the commutator bars and lifts the brushes, converting the motor into a plain squirrel cage one.

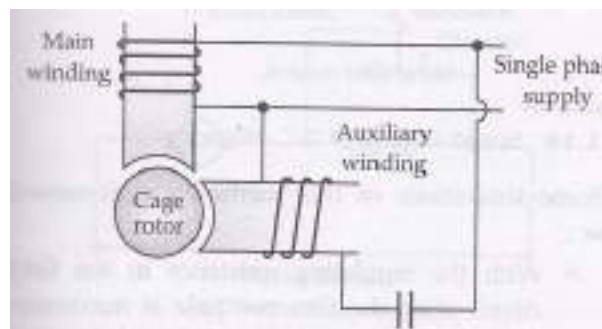


Fig..8 Split phase starting

- (d) **Synchronous motors:** There is no starting torque in a synchronous motor. It has to be run up to synchronous speed by another motor and synchronized to the supply. To make it self-starting a cage winding is provided on the poles. It starts as a plain squirrel cage motor and when it has attained nearly synchronous speed at no-load, the d.c excitation is switched on and the rotor pulls into synchronism. Starting torque between 50 to 100 percent full load torque can be obtained with twice full load current. The synchronous Induction motor has a cylindrical rotor with a slip-ring induction motor winding. It starts as a slip-ring induction motor with good starting torque and when it has almost reached the synchronous speed, d.c. is passed through the rotor winding making rotor pull into synchronism.

**A.C.Commutator Motors:** These are started by the application of reduced voltage or by shifting the brushes.

## Running Characteristics

The running characteristics of a motor include the speed-torque or the speed-current characteristics, losses, efficiency and power factor at various loads. Power factor consideration crops up in the case of a.c. motors only.

### D.C. Motor

In the case of DC shunt motors speed is fairly constant with load; there is only a slight fall in speed as the load comes up. The speed torque characteristic is a slightly drooping straight line.

For the DC series motor the speed is normally high at low loads and decreases as the motor is loaded. The speed –Torque characteristics is a supply drooping curve.

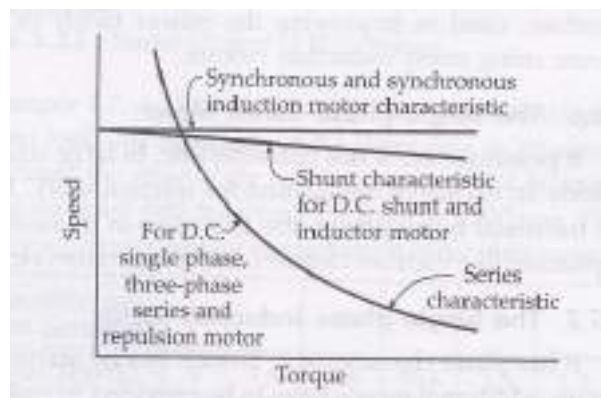


Fig..9 Torque speed relation of dc and ac motors

In the compound motor, the speed-torque characteristics may be made to lie anywhere between the pure shunt and the pure series by suitably adjusting the series and the windings.

### The Three-phase Induction Motors

It possesses shunt characteristics. The power factor is very poor at low loads but improves as the load increases. The power factor, however, always remains less than unity.

### The Synchronous and synchronous-Induction motor

The synchronous motor is a constant speed motor: The speed is fixed by the frequency of the supply. It is not, however, self starting. It is started by an auxiliary motor and synchronized to the supply. This disadvantage is eliminated in a synchronous-Induction Motor where the machine starts as plain Induction motor and when the speed is very near the synchronous speed the DC excitation to the rotor is switched on and the motor pull into synchronism.

By varying the field excitation of these types of motors the power factor may be made unity or even be made leading. An over-excited synchronous motor works as a leading power

factor while an under-excited motor works as lagging power factor. It is, therefore used in improving the power factor in a system using many induction motors.

### **Single-phase series motor**

It possesses the series characteristics. In large sizes it finds an exclusive application of Traction work .In fractional horse power size it is used in domestic appliances like vacuum cleaners and refrigerators etc.

### **Single-phase Induction motor**

It has shunt characteristics. Since it has no starting torque, additional means have to be provided to make it starting. Repulsion start and the capacitor start motor are the common modifications of the single phase induction motor.

### **Repulsion motor**

It has series characteristics and closely resembles the series motor in construction.The armature is short circuited in itself.

### **SPEED CONTROL :**

Control of speed for an industrial drive depends upon the nature of work being carried out. A certain operation may require a continuously varying speed; another one may only require two fixed speeds. Some times creeping speed may be necessary to adjust the work. For most industrial drives ,however,a control speed within  $\pm 20$  per cent may be suitable

### **Speed control of D.C. motors :**

The speed of D.C. motors is given by the expression

$$N \propto \frac{V - I_a R}{\phi}$$

$$\text{Or, } N = K \frac{V - I_a R}{\phi}$$

Where, N = speed in rpm

$\phi$  = flux/pole

V = supply voltage

R = resistance in the armature circuit

$I_a$  = current drawn by the motor armature

Two methods of speed variations are possible:

1. Flux variation or field control

## 2. By changing resistance in the armature circuit

### Field control in shunt motors

The flux per pole is varied by inserting an extra resistance in the field circuit. Variation of the flux per pole changes the speed of the motor.

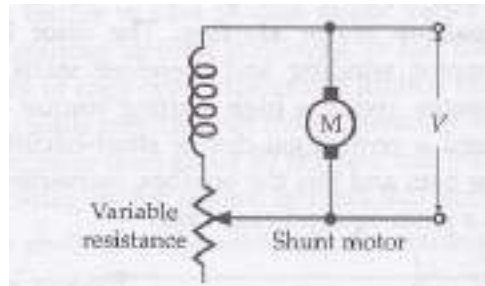


Fig.10 Shunt Field Control

*Some limitations of this method are discussed below:*

- i. With the regulating resistance in the field circuit zero, the flux per pole, is maximum which gives the lowest speed of the motor. Motors are usually designed to work at a speed slightly less than the rated speed when the regulating resistance is zero. It is obvious that any lower speed than this cannot be achieved by this method.
- ii. The speed of the motor  $N$  is proportional to  $V/\Phi$  where as the full-load torque  $T$  is proportional to  $T_N$  or  $V I_a$  which is constant. Therefore, this method can be utilized only where the horse power of the load remains constant.
- iii. There is a limit to which the field can be weakened to obtain high speed. At such a speed the motor will tend to draw large current to develop the same torque. But this will result in the main field ampere-turns becoming much smaller than the armature mmf. The armature reaction will demagnetize and distort the main flux making the operation of the motor unstable. In motors where a wide speed-range is required, this difficulty is overcome by having a light series winding connected cumulatively to provide stable operation.

Speed variation by this method is limited to a ratio of 5:1.

### Field control in series motors

Three methods are used for changing the flux per pole in series motors

These are :

- Diverter field control
- Tapped field control

- Series-parallel field control

i. **Diverter Field control :**

A shunt is employed in parallel with the series field to divert a part of the current in the series field thus causing field weakening. Speeds higher than normal are attained when the diverter is used.

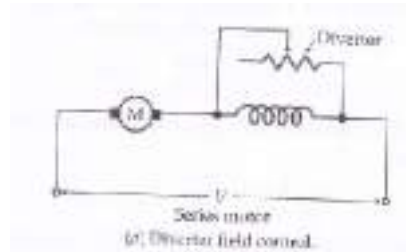


Fig.11 Field diverter control

**Tapped Field control:**

Tapping are provided on the field winding and current may be passed through different number of turns there by changing the field ampere-turns. This method is commonly used for series motors used in traction work.

**Series-Parallel Field control:**

The field winding is designed in two sections which may either be connected in series or in parallel .The field ampere-turns are reduced to half the value in parallel connection as compared to those in series connection. The speed, therefore, becomes about twice the initial value. Though the method is simple and inexpensive, only two speeds are possible.

**CONTROL OF SPEED BY CHANGE OF SERIES RESISTANCE IN THE ARMATURE CIRCUIT**

Since  $N \propto \frac{V - I_a R}{\phi}$  , the speed of a D.C.motor can be changed by varying R, resistance in the armature circuit. The torque of a motor is proportional to the product of the flux,  $\phi$  and the armature current  $I_a$  .In the case of a shunt motor, since  $\phi$  is constant, N will be proportional to  $V - I_a R$  .if constant torque is required  $I_a$  should remain unchanged .But since speed is to be varied R has to be varied.Increase of R(for constant torque and therefore constant armature current)will give decreasing values of speed.The minimum value of R is  $R_a$  ,the resistance of the armature itself.The figure shows the armature speed torque characteristics.

$$R = r + R_a$$

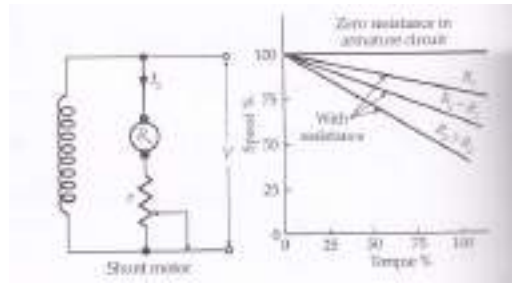


Fig.12 Speed control of shunt motor taking series resistance in armature

For a theoretical value of  $R = 0$ , the horizontal straight line passing through 100% speed ordinate is the limiting value. For any other values of  $R$  which may be  $R_1 = r_1 + R_a$  or  $R_2 = r_2 + R_a$ ,  $R_2 > R_1$  or  $R_3 = r_3 + R_a$ ,  $R_3 > R_2$  etc. the curves are as shown.

If this method is used for a load requiring constant torque at all speeds, the armature current must remain constant and so the input to the motor (i.e., armature) is also constant. But the output decreases with the decrease in speed and hence the efficiency of the motor is poor at lower speeds. The power loss takes place in the controlling resistance  $r$ . In the case of fans and centrifugal pumps where the load torque decreases at lower speeds, this method may be quite convenient and economical for short periods. Creeping speeds may also be obtained by this method.

In a series motor, an increase in the armature circuit resistance will decrease both speed and torque. Since the flux is dependent on the armature current the torque is proportional to  $I_a^2$ . For a constant torque if different speeds are required, current ( $I$ ) has to be constant which will make  $\Phi$  constant. For reducing the speed resistance is to be increased.

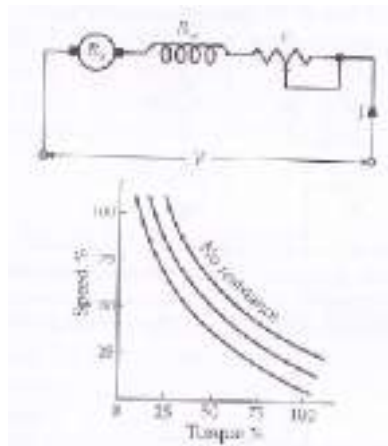


Fig.13 Speed control of series motor with series resistance in armature

### Control of Motor Speed by Shunting the Armature by a Resistance

The arrangement of varying the speed of a d.c. motor by changing the series resistance in the armature circuit is at times not applicable as the speed of the motor rises if the load is reduced. We can see from the equation  $N \propto (V - I_a R) / \Phi$  that as  $I_a$  diminishes  $N$  increases. To eliminate this drawback, the armature is shunted by a variable resistance. A

series resistance is also used as shown in fig. 1.14. By adjusting P and Q a number of speed torque curves can be obtained.

If we apply Thevenin's Theorem to the circuit in fig. 1.14(a), we get P and Q in parallel i.e., short circuit resistance  $R_{sh}$  by short-circuiting the source of supply and removing the branch (i.e., armature) through which we wish to find the value of the current flowing. Therefore the open circuit voltage across the armature is  $V_{oc} = \{P / (P+Q)\} V$ . Fig. 1.14(b) shows the equivalent circuit based on Thevenin's Theorem. The current is given by

$$I = V_{oc} / R_a + R_{sh} \text{ Where } V_{oc} = P / (P+Q) V \text{ and } R_{sh} = PQ / P+Q = \text{short circuit resistance.}$$

The efficiency of this method is poor and heavy currents may be drawn from the supply at certain speeds.

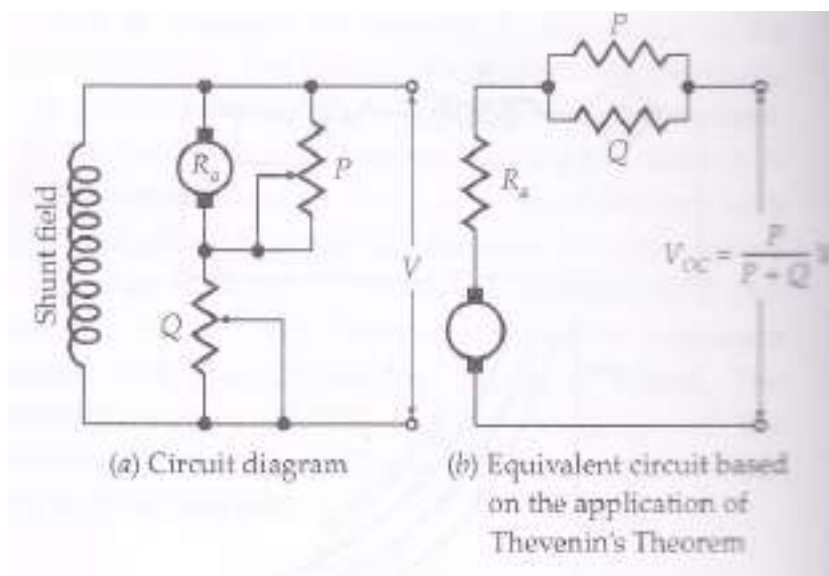


Fig. 14. Controlling resistance in parallel arrangement

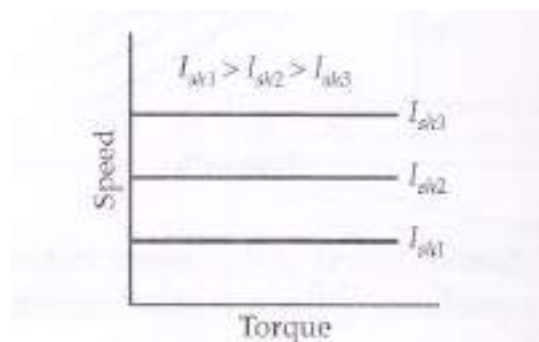


Fig. 15 Speed Torque characteristics

## Booster Control

In Figure,  $M_1$  is the main motor used for driving the load. It is excited from constant d.c. supply.  $B$  is the separately excited booster whose voltage and polarity can be controlled by the booster field  $BF$ . With the arrangement of tapping the voltage from the parallel resistances the current through the booster field can be reversed which reverses the polarity of the booster armature voltage. Thus, necessary boost or buck can be provided to  $M_1$ .  $M_2$  is the shunt motor which drives the booster armature. The speed can be varied over a wide range depending on the size of the booster. This method is, however, suitable for small motors; otherwise the size of the booster becomes uneconomical.

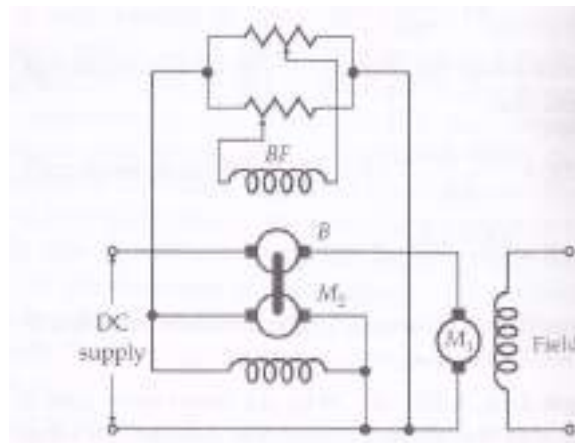


Fig.16 Booster control

### Ward-Leonard System of Speed Control

In this method, the current in the motor armature is supplied from a variable voltage source, say a special motor generator set and the field is given a constant excitation so that in the expression

$$N = K \frac{V - I_a R}{\phi}$$

Where  $V$  is variable and  $\phi$  is constant.

This system is used where a very fine speed control is needed as in the case of colliery winders. Fig. 17 shows the application of this method.

There is a motor generator set whose motor  $M$  is a 3 phase slip ring induction machine coupled to the d.c. generator  $G$ . A flywheel is mounted on the motor generator shaft to equalize the fluctuations in the load. A d.c. exciter is also coupled to the M.G. set. This exciter supplies the excitations to the generator  $G$  and the load motor. In order to equalize the fluctuations in the load the flywheel must decelerate during the lean load period. This is achieved with the help of the torque motor which puts extra resistance in the slip-ring rotor by operating the liquid rheostat when peak load comes on. The torque-motor is supplied through the  $CT_s$  as shown and is actuated by current proportional to that drawn by the motor of the M.G. set. When slip-ring motor tends to draw heavier current, the torque-motor is actuated through the  $CT_s$  increasing the resistance of the liquid rheostat which decreases the speed of the M.G. set and allows the flywheel to give up a part of its stored energy. The



whole process is reversed when the load decreases. The direction of the load motor can be reversed by reversing the polarity of the voltage supplied to it by the generator G. The polarity of generator voltage can be changed through the reversing switch which reverses the excitation of the generator. The Ward Leonard Control with a flywheel is known as Ward-Leonard-Ilgner Control.

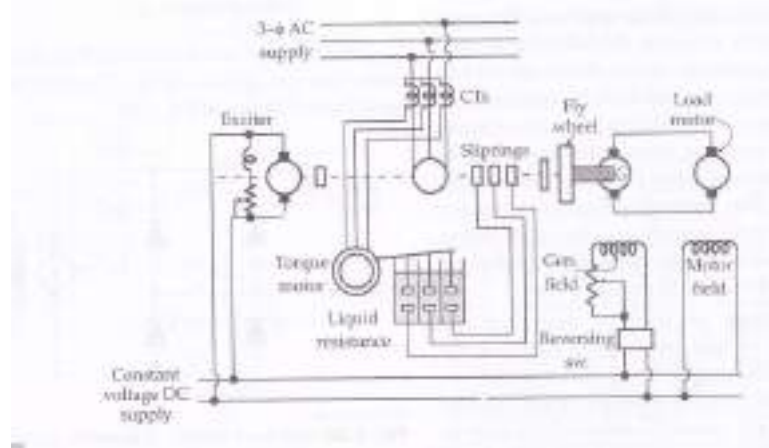


Fig. 17 Ward Leonard Ilgner control

## SPEED CONTROL OF INDUCTION MOTORS

Speed control of Induction motor is given by the following equation:

$$N_r = N_s(1-s) = \frac{120f}{P}(1-s)$$

$$[N_s = \text{synchronous speed} = 120f/P]$$

Thus, the speed of an induction motor, broadly speaking, can be regulated by three methods i.e. by varying any of the above quantities Viz. frequency, number of poles, slip.

Thus speed change can be achieved by varying the frequency. Induction motor has drawbacks of developing low starting torque, drawing heavy starting current and having no easy means of continuous easy speed control. On the other hand, assets of induction motor are: trouble free operation, less maintenance, high voltage operation consequently needing reduced amount of current and automatic regeneration. In addition to these, because of extreme mechanical simplicity in the construction, the rotor can resist centrifugal forces better than D.C. armature and therefore, for a given amount of iron and copper, more power can be produced.

## FREQUENCY METHOD OF SPEED CONTROL

The above equation suggests that the speed of a induction motor is directly proportional to the frequency of supply voltage.

### Control from variable frequency supply

Induction motor operates at a high efficiency and power factor at speeds near to its synchronous speed. The difference between actual speed and synchronous speed, which is called slip, represents losses in the rotor. Thus in induction motor, operating from constant frequency supply, slip has to be small if efficiency is to be high. In other words, motor should

operate at high speed (near synchronous speed). If however, synchronous speed itself is brought down near to actual slow operating speed, motor will still be working at high efficiency. This is achieved in variable frequency supply. Another advantage of feeding low frequency supply to induction motor at starting is that it does not take heavy starting current. This is proved as follows:

If suitable variable frequency supply is made available, induction motor can develop high starting torque without excessive rotor currents when it is supplied with low frequency voltage supply say  $\frac{1}{2}$  to 9 cycles. Intersection of the stable region of torque speed curve with the load torque curve gives the operating speed. As the frequency of supply is reduced, torque curve shown dotted will move more towards left. This increases the starting torque ( $T_s$ ). Another advantage of variable frequency supply is that as the motor speed falls, the frequency of supply is reduced.

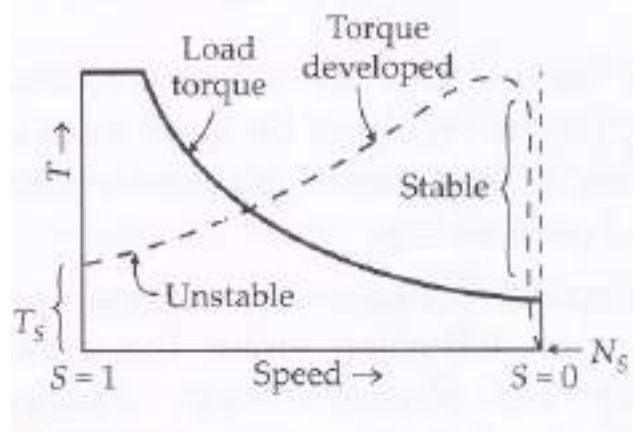


Fig.18 Electromagnetic torque and load torque profile

This avoids the operation of motor on unstable portion of the speed torque curve. Induction motors apart from the advantage of avoiding commutator maintenance, can be of smaller size as they can be robust higher speeds and higher temperatures than D.C. motors and in addition they are more efficient. Induction motor is excellent for the industrial purpose as it has excellent power weight ratio, great mechanical strength, suitability for higher speeds, no sliding contacts and high starting torque without overload. But all these advantages are available only through close control of flux and frequency.

### **Control by Variable Frequency inverter Employing Thyristor.**

With a conventional rotary converter, it was not possible to obtain low frequencies say  $\frac{1}{2}$  to 9 cycles, so that attempt for developing high starting torque always resulted in heavy rotor currents. However with the development of silicon controlled rectifier (SCR), used as inverter, the frequency of three phase supply can be adjusted from 0 – 150 cycles.

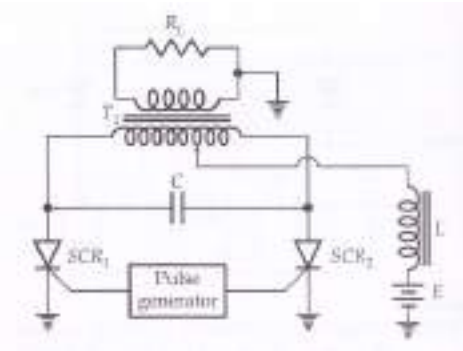


Fig. 19 Schematic of variable frequency inverter

Fig. 19 shows a single phase parallel inverter circuit using two SCRs. To start with, assume SCR<sub>1</sub> as conducting and SCR<sub>2</sub> as off. Left plate of condenser C will be at negative potential and right plate will be at positive potential at double the voltage of d.c. source due to auto transformer action. A trigger from the pulse generator to SCR<sub>2</sub> will switch it on. Now condenser C will send current through SCR<sub>2</sub> and block SCR<sub>1</sub>. D.C. source will send current through inductance L, transformer T and SCR<sub>2</sub>. Current pulse flowing through transformer will produce polarity in the secondary of transformer of opposite sign to that produced previously when SCR<sub>1</sub> was conducting. Condenser C will now be charged with right hand plate negative and left hand plate positive to double the d.c. source voltage. Now when SCR<sub>1</sub> is triggered, condenser C will again discharge but this time through SCR<sub>1</sub> to block SCR<sub>2</sub>. In this way cycle repeats. For 1:1 turn ratio of transformer, the peak value of a.c. square wave is half the voltage of d.c. source and frequency of a.c. supply depends upon the frequency of the firing of SCRs.

### **Pole Changing Method of Speed Control**

This method is applicable to squirrel cage motors only, as their rotors can adjust themselves to any number of poles. This method of speed control is used for driving drilling machines which require different speeds for drilling into different metals. This is also used for lifts where regenerative braking can be applied by pole changing. On increasing the number of poles synchronous speed becomes less than the actual running speed and motor now works as an induction generator. Some motors have two stator windings, wound for different poles.

### **By Applying Variable Voltage to Stator**

In Fig. 20, two speed-torque curves of a motor with different applied voltages are shown. Torque developed is proportional to square of applied voltage. Hence speed-torque curve 'A' will be for higher voltage and 'B' for lower voltage. Intersection of load torque line with the torque developed, gives us speed ( $N_1$ ) with higher voltage applied and  $N_2$  speed with lower voltage applied. With constant torque loads, speed control by this method gives limited variation of speed. However for loads whose torque varies as the square of speed, this method gives wide range of speed.

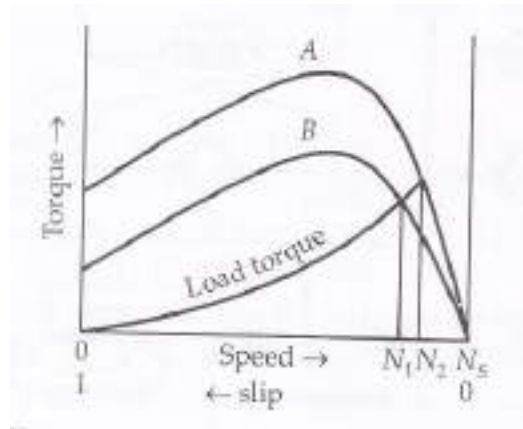


Fig.20 Torque speed characteristics with voltage

### **By Varying the Rotor Copper Losses**

For constant load torque applications, slip is directly proportional to the rotor copper losses in induction motor. By increasing the rotor copper losses, slip will be increased and hence speed can be decreased. Rotor losses can be regulated by following methods.

#### **1. By Inserting External Resistance in the Rotor Circuit.**

In induction motor, for a given torque to be developed, rotor current remains constant. Therefore, if resistance is inserted in the rotor circuit, it will increase the rotor copper losses and, therefore, slip. This method, besides being wasteful for low speeds, requires heavy three phase controller to dissipate the losses.

2. **By Cascade Control.** Instead of wasting the energy in rotor resistance and creating a problem of disposal of heat, it can be taken out of the rotor and fed to another motor which is capable of taking power at low frequency. This motor is usually mechanically coupled to the main motor. Thus power taken from the rotor is converted to mechanical energy. This arrangement would give increased torque output at reduced speed. This rotor power at low frequency can also be converted to power at supply frequency by means of frequency converter and fed back to line. Arrangement of connecting auxiliary machine to the rotor of main motor to perform any of the above functions is called cascading.

### **Speed Control by Slip Coupling**

This method allows driver shaft to run faster than the driven shaft by an amount which can be controlled. There will be some power loss in the coupling itself. One form of slip coupling consists of stator and rotor. Rotor is squirrel cage type and is keyed to the driven. Around the rotor is stator containing d.c. excited salient poles. Stator is keyed to the driver. In ordinary induction motor rotating magnetic field is produced electrically by the three phase currents. As against this, in slip coupling, magnetic field is mechanically driven by the driver. This will exert torque on the rotor which will be transmitted to the driven. In

induction motor the magnitude of the torque is dependent upon the magnitude of the rotating field or applied voltage. In slip coupling, also the magnitude of the torque at which slip occurs can be varied by the excitation of the slip coupling which is conveyed to it through two slip rings. Torque slip characteristic of slip coupling is essentially same as that of induction motor. Slip coupling can, therefore, make it possible to have variable speed drive from constant speed driver.

## **ELECTRIC BREAKING**

In many industrial drives, it becomes important to stop motor and its work in a reasonably short time, as in the case of planer where the tool must be stopped quickly at the end of its stroke. To achieve this breaking system has to be used.

Two types of breaking systems are possible:

1. Mechanical or friction braking where the motor is stopped by using a brake shoe or band on brake drum.
2. Electrical braking where the kinetic energy of the motor and tool is converted to electrical energy and is dispatched as a heat in a resistance or returned to the supply system.

Electric braking is superior to mechanical braking since it is much quicker and eliminates the cost of maintenance of mechanical brakes. However, in order to finally bring the motor to a standstill and hold it there, friction brakes are essential.

The following types of electric braking are employed:

1. Plugging
2. Rheostatic or dynamic braking
3. Regenerative braking

## **PLUGGING**

The connections of the armature are reversed so that the motor tends to rotate in the reverse direction thus providing the necessary braking effect. However, the supply must be cut off when the motor comes to rest otherwise it will start rotating in the reverse direction. Plugging may be employed with D.C. motor or induction motor and synchronous machines.

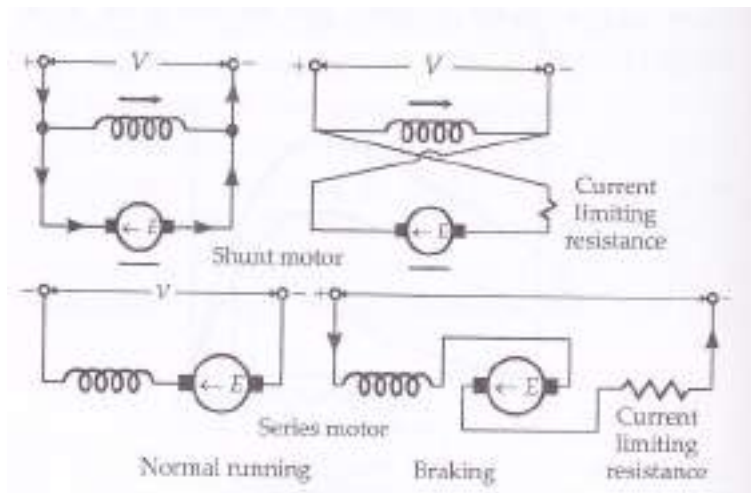


Fig.21 Plugging in DC motors

### Plugging with D.C. motors

(a) The armature connections are reversed with respect to the field so that the current in the armature reverse .During normal running the back emf  $E$  is opposite to the direction of the armature current but during braking the back emf  $E$  and the armature current are in the same direction. At the instant of reversal of armature connections a voltage equal to  $V+E$  is impressed across the armature circuit,  $V$  being the supply voltage. Since  $E$  is very nearly equal to the  $V$ , the impressed voltage is approximately  $2V$ .This will cause a great rush of current in the armature circuit. To prevent this, the starting resistance is reinserted in the armature circuit as shown below.

It should, however ,be noted that during braking, in addition to the kinetic energy of the motor being dissipated in the resistance, some energy is being drawn from the supply. There is, therefore, a waste of energy.

(b) If any two supply phases are interchanged with each other the direction of rotation of the magnetic field reverses and, therefore, the torque on the rotor also reverses providing a braking action. Supply, however, has to be cut off when the motor comes to rest, otherwise the rotor would start building up motion in reverse direction. The rotor and stator currents tend to be abnormally high and a resistance may have to be inserted in the rotor or stator circuit for the purpose of protection.

### (c) PLUGGING WITH SYNCHRONOUS MOTORS

If the D.C. excitation of the synchronous motor is reversed, the D.C. and A.C. fields will rotate in opposite direction and there can be no braking effect. But in case of motors fitted within damper windings the eddy currents induced in them provide braking.

### Rheostatic or Dynamic Braking

The motor is disconnected from the supply and worked as a generator driven by the kinetic energy of the rotor and the load. A resistance is connected across the motor terminals; the kinetic energy of rotation is converted into electrical energy and is dissipated in the resistance.

(a) D.C. Motors-shunt

The armature is disconnected from the supply and connected across a resistance. The motor now works as a separately excited generator and a braking torque is applied by the current delivered to the resistance. If, however, the supply fails, the braking action vanishes as the excitation disappears. This drawback is sometimes removed by fitting a series winding in the armature circuit which is connected during the braking period only. Due to the action of this winding, the motor self excites a series generator and the current delivered by the armature provides braking action.

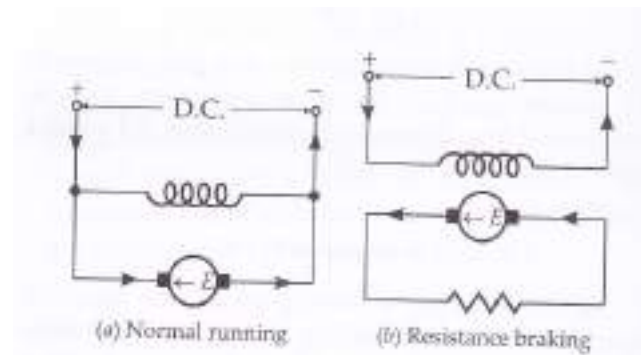


Fig..22 Rheostatic braking of shunt motor

(b) Series D.C. Motor- The motor after being disconnected from the supply is made to excite as a series generator. For this it is necessary that the total resistance in the motor circuit should be less than the critical resistance, so that the generator may self excite. Also in order that the flux may build up, the connections of the armature with respect to the field have to be reversed.

(c) Synchronous Motors

The field excitation is maintained and the motor after being disconnected from the supply is connected to resistances in star or delta. It now works as an alternator and the kinetic energy is dissipated in the form of losses in the resistances.

(d) Induction Motors

The stator is disconnected from the supply and direct steady current is passed through its windings .A flux is produced. When the short-circuited rotor conductors cut this steady flux emf is induced in them which provide the necessary braking effect. If the rotor is wound, the braking torque can be controlled by the insertion of suitable resistances in the rotor circuit.

**Regenerative Braking**



In regenerative braking the motor is run as generator by the kinetic energy of the load which is returned to the mains as electrical energy. There is, therefore, an overall saving in energy.

(a) D.C.Motors-shunt: If the emf generated by the motor is greater than the supply voltage, power will be fed back into the supply. The emf in a shunt motor depends upon its excitation and speed. If the field is disconnected from the supply and the field current is increased by exciting it from another source, the induced emf will exceed the supply voltage and the motor will feed energy into the supply. The speed of the motor, however, falls to value corresponding to the field current at any instant. The condition is shown in Figure.

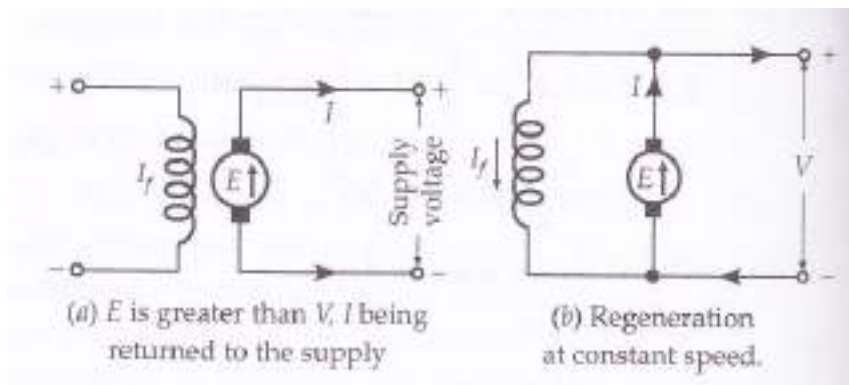


Fig.23. Regenerative Braking with d.c. shunt motor

There is another way in which regeneration takes place resulting in braking effect. If the field excitation does not change but the load causes the speed to increase, the induced emf may become greater than the supply voltage and power will be fed back in to the supply. The regenerative effect, however, will prevent any tendency of speed to increase further. This itself constitutes a form of braking effect since in the absence of regeneration, the speed would increase continuously.

(b) D.C. Motor-Series

Regenerative braking with series motors is employed mainly in traction work.

(c) Induction Motors

When an induction motor runs at a speed above the synchronous, it works as an induction generator feeding power back in to the supply. No extra devices need be employed. It may be noted that regenerative braking of induction motors is hardly useful for stopping the motor but it helps in keeping the load at a speed slightly above the synchronous and returns valuable power to the supply.

## MECHANICAL FEATURES OF ELECTRIC MOTORS

The electric motor in this section is being discussed with reference to the following:

1. Type of Enclosure
2. Bearing
3. Transmission of drive



#### 4. Noise

##### TYPE OF ENCLOSURE

This is mainly determined from a consideration of the type of work the motor has to do and the place where it is to be installed.

- I. **Open Type:** The machine is open from both ends, the bearings being placed on pedestals or brackets. There is free ventilation. Such a type of machine can be used in a separate room.
- II. **Protected Type:** Large operations are available for ventilation though some protection is provided. Mostly motors are of this type. If the openings are covered with a wire mesh or screen the motor becomes vermin proof and better protection is afforded without in any serious manner decreasing the ventilation.
- III. **Drip proof Type:** Such motors are used where the atmosphere is very damp.
- IV. **Totally enclosed Type:** Such type of motors is used where the atmosphere is dusty i.e. saw mills, coal-handling plants and stone crushing quarries. No foreign particle should enter the motor and block passage of ventilation. The ventilation facilities are very poor in view of closed construction. To improve this, the outer surface is finned to increase the cooling area. A totally enclosed motor fitted with an outer casing built round the motor proper through which clean air is circulated with a fan is common these days.
- V. **Pipe ventilated type:** The large sizes of the totally-enclosed motor employ pipe ventilation. Clean air forced through the piping to cool the motor. The extra cost of piping is offset by the smaller size of motor that can be employed on account of better cooling.
- VI. **Flame-Proof Type:** Necessary for explosive atmosphere met with in coal mines, chemical plants etc.

##### BEARINGS

The modern tendency is to use ball or roller bearings up to about 100 hp size as they have longer life and maintenance cost are low. These type of bearings are replacing old journal type bearings. They have enabled induction motors to be built with a very small air-gap. For large size motors and for reduction in the noise level, the journal type bearing is used.

##### TRANSMISSION OF DRIVE

The transmission of power from the driving machine may be arranged in various ways listed below. The choice of the motor speed is an important consideration. The cost per HP decreases with an increase in speed while the efficiency and power factor improve with speed. Therefore, a high speed motor is preferable to a low-speed one and if the speed of the work is to be low it can be achieved by reduction gears or other suitable means. Motors for

low-speed drivers are manufactured now with the reduction gear incorporated in the unit itself so that the high speed motor gives a high efficiency and is less expensive.

**Belt Drive:** Maximum power of about 300hp can be transmitted. Slip is about 3 to 4 percent.

**Rope Drive:** A number of ropes are run in v-grooves over pulleys. It is used where the power is beyond the scope of belt drive. Slip is negligible.

**Chain Drive:** More expensive than the above two forms but more efficient and there is no slip. It can be used for greater speed ratio; the limit is 6:1.

**Direct Drive:** The motor is in the line with the driven machine. To protect the motor from sudden jerks, flexible couplings are used.

**Vertical Drive:** The motor shaft is vertical. The arrangement is sometimes convenient.

### **NOISE**

In any industrial establishment, it is important to keep the noise level to as a low as value as possible so that fatigue to workers may be avoided. For domestic appliances, the motors used must be almost noise less and the same applies to appliances used in hospitals, theatres, etc. The noise produced depends upon the loudness and shrillness of the note emitted. The level of sound is measured in decibels.

In motors noise may be produced due to mechanical features like bearings, vibration and bad foundation. It is for the manufacturer to improve these. But the transmission of noise to other parts of a building can be eliminated by foundations.

### **SIZE AND RATING**

The size and rating of a motor for a given service dependent upon its temperature rise. The maximum temperature rise is limited by the type of insulation used. For class A Insulation a maximum temperature rise of 40°C is permissible. For class B insulation value is 50°C.

**Standard Ratings for Motors:** The I.S. specifications classify the motors for service as follows:

**Continuous Rating:** A motor capable of giving the output continuously without exceeding the rated temperature rise. It can also give 2.5% overload for 2 hours.

**Continuous maximum Rating:** Similar to the above without allowing any overload. It is used for motors of size larger than 2.5hp per rpm.

**Short-time Rating:** It is output that a motor can give for a specified short-time, say ½ hr. or ¼ hr. without exceeding the specified temperature rise.

### **MOTORS FOR PARTICULAR SERVICES**

In the previous sections discussions were made regarding various aspects of performance of electric motors. The basic problem of choosing the proper motor is in matching the motor characteristics to the load requirements, i.e. load mechanics must be clearly known. On this depend the selection of the type of motor. After this comes the ability of the motor to carry the loads, this ability is limited by two factors; thermal and mechanical. Thermal consideration is with regard to the temperature rise under a given duty and mechanical is for ensuring that the peak load is carried by the motor safety.

let us consider one or two examples for choosing a motor. Suppose we want a motor for driving a fan. The load torque varies as the square of the speed. From among A.C. motors, induction motor is suitable. The stable point of operation is shown as S on the torque-speed characteristics in Figure.

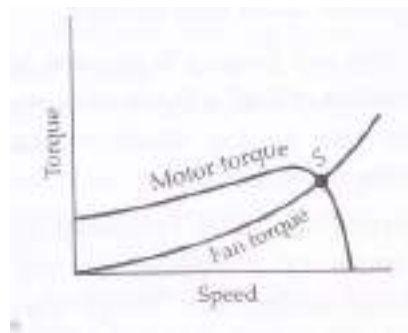


Fig.24 Fan load and induction motor torque speed curves

From D.C. motors shunt motor will be suitable. The point of stable operation is the point where the motor torque and the fan torque curves intersect each other as shown in

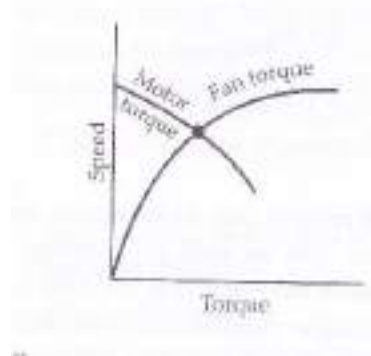


figure.






Fig.25. Fan load and shunt motor speed torque curves

Next let us consider a punching machine or shearing machine. The load is fluctuating in nature and therefore a flywheel will have to be used in order that the load demand as reflected on the supply may be smooth. A flywheel can only be used with a motor whose speed can decrease as the load comes. A D.C. shunt or compound or a 3-phase induction motor will be suitable.





Some of the motors commonly used for particular services are given below:

- i) Domestic uses: Small universal motors of the series type are used in domestic appliances like vacuum cleaners, refrigerators, washing machine, fans etc.

- ii) Grinding and milling machine: Upto 50 h.p. the motors may be D.C. shunt or induction with slip-rings and arrangement for pole-changing with cage rotors.
- iii) Planners: There is cutting stroke and a quick return stroke. Arrangements for reversing the speed have to be incorporated. A D.C. compound motor may be used.
- iv) Punching and shears: On account of heavy fluctuations of load, a flywheel is provided. The motor may be D.C. shunt or compound or slip-ring induction type.
- v) Cranes and Hoist Work: For cranes D.C. motors of series or compound type are preferred as they have a high starting torque and the speed control is smooth. Induction motors are also used for hoisting.
- vi) Lifts: duty involves high acceleration and high retardation. The motor armature must therefore be light and it should run at moderate speeds .D.C. compound, slip-ring induction, induction-repulsion motors are used.
- vii) Textile Industry: Motors must be of totally enclosed type to prevent particles of the material being manufactured from getting into them. They should also be moisture proof on account of damp atmosphere inside a textile plant. Three-phase motors are used since their speed is fixed by the supply frequency .D.C. motors cannot be used as their speed varies with voltage.
- viii) Printing machinery: As it requires a variable speed Induction motors using rotor resistance may be used. Where large speed variations are required D.C. compound or A.C. commutator motors may be used.
- ix) Paper Industry: Synchronous motor is used as in this a constant speed of operation is required for giving a uniform thickness of the paper. Where speed is not required to be constant, squirrel cage induction motors or D.C. motors may be used.
- x) Iron and steel Industry: D.C. shunt motors with flywheel arrangement or induction motors with speed control are used in such Industry.
- xi) Mining work: Flame proof motors are required for safety considerations in a mines for which cage motors are used up to 10 hp and for large output slip-ring or D.C. motors are used.

Type of motor	Voltage limit	H.P. limit	$I_{starting}$ full load	$T_{starting}$ full load	Methods of	Speed-torque characteristic	Range of speed control	Methods of speed control	Applications
Split-phase induction motor	115 V	500	1	1	<ul style="list-style-type: none"> <li>• Direct delta starter</li> <li>• Auto-transformer starter</li> <li>• Resistance in stator circuit</li> </ul>		Small variation in speed from no load value due to slip.	<ul style="list-style-type: none"> <li>• Pole changing</li> <li>• Variation of frequency</li> </ul>	Industrial cranes or small power having explosive atmosphere. Water pumps and tube wells.
Single-phase induction motor	230 kV	1	Capacitor start 2 repulsion start 2	Capacitor start 1.8 repulsion start 3	<ul style="list-style-type: none"> <li>• Repulsion start</li> <li>• Pole shifting</li> <li>• Phase splitting by L or C and R in series with one of the windings.</li> </ul>		Small variations due to slip.	By voltage drop in series impedance	Fans, small power compressors, refrigeration, washing machines, medical apparatus, vacuum cleaners in conditioning installation.
Pole-changing induction motor (Spiral core)	115 kV	300	6	1	<ul style="list-style-type: none"> <li>• Direct switching up to 3 slip</li> <li>• Start-delta starter</li> <li>• Auto-transformer starter</li> </ul>		2 to 4 fixed ratios	<ul style="list-style-type: none"> <li>• Pole-changing</li> <li>• Variation of frequency</li> </ul>	Cranes, lifts, drills, lift-high speed winding is used for acceleration and low speed for coordination and landing.
Synchronous motor	11 kV	10000	2	1/4	<ul style="list-style-type: none"> <li>• By pony motor</li> <li>• By damper windings.</li> </ul>		Fixed speed	Fixed speed (which depend on frequency)	Motor generator sets, frequency changers, fans, compressors, pumps, turbo-chargers and rolling mills. Small motor for clock.
Disc-type motor	1 kV	100	2	2/3	<ul style="list-style-type: none"> <li>• Applying low voltage</li> <li>• Direct switching keeping the brushes in low speed position</li> </ul>		3 : 1	<ul style="list-style-type: none"> <li>• Shifting the brushes</li> <li>• Inserting impedance in secondary winding.</li> </ul>	Paper making machines, printing presses, textile work, lifts, pumps, machine tools, self-conveyors.

#### Summary of the characteristic and the field of application of the various types of motors

Type of motor	Voltage limit	H.P. limit	$I_{starting}$ full load	$T_{starting}$ full load	Methods of	Speed-torque characteristic	Range of speed control	Methods of speed control	Applications
Shunt motor	500 V	5000	2	2	Series resistance in armature removed in steps.		1 : 1	<ul style="list-style-type: none"> <li>• Inserting variable resistance in field circuit.</li> <li>• Inserting variable resistance in armature circuit.</li> </ul>	For driving low speed, lathes, rolling machines, conveyors, fans.
d.c. series motor	150 V	3000	3	3	<ul style="list-style-type: none"> <li>• Series resistance</li> <li>• Series parallel method in traction work.</li> </ul>		3 : 1	<ul style="list-style-type: none"> <li>• By field circuit.</li> <li>• By tapping the field</li> <li>• Variable resistance in series with the motor.</li> <li>• Series-parallel method in traction work.</li> </ul>	Traction - hoists - cranes and moving heavy slides.
Compound motor	150 V	3000	2	2.3	Series resistance in armature removed in steps.	Can be adjusted between that of pure shunt and pure series motor.	3 : 1	<ul style="list-style-type: none"> <li>• Variable resistance in shunt field circuit.</li> <li>• Series field circuit.</li> <li>• Combination of 1 and 2.</li> </ul>	Hoists, pumps, elevators, conveyors, heavy presses, rolling mills for intermediate high torque load.
d.c. series motor	500 V	3000	3	3	Variable voltage applied from the secondary of a transformer with tapping.		full range with transformer.	By voltage variation.	Traction work.
Slip-ring induction	11 kV	1000	2	2	Resistance in stator circuit.		Small variation in speed from no load value due to slip.	<ul style="list-style-type: none"> <li>• Variation of applied voltage</li> <li>• Variation of frequency</li> <li>• Pole changing</li> <li>• Cascading</li> <li>• Rotor rheostat control</li> <li>• Rotor circuit control</li> </ul>	Generators, low speed fans, pumps, mills, winding machines, hoists.

## CHAPTER-6

### ELECTRIC TRACTION

#### Introduction

*The system of traction involving the use of electricity is known as the electric traction .*

In the earlier stages of the development of Electric traction two systems have been in use –D.C. at 1500 volts or 3000 volts and single-phase a.c. at 11 to 16kV using low frequency. The reasons for the adoption of low frequency rather than the standard 50-cycle frequency was that the series wound commutator was developed for satisfactory operation only up to about 25 cycles and the low frequency was suitable for the hydro-generators of the railways which had to generate their own power in the absence of any national grids that exist today. The d.c series motor has ideal characteristics for traction purpose. D.C. was already in use for tramways and in about 1905, on account of the better performance of d.c. series motor due to the introduction of the inter-poles and adoption of higher voltage with increased spacing of the substations the traction became economical. The two systems i.e. D.C. and A.C. developed and grew side by side.

In India we have the single-phase A.C. at 25kV,50 cycles is supplied to the locomotives which carries transformers and rectifiers. A.C. is converted into D.C. in the

locomotive and traction motors are D.C. motors. However, recently A.C. traction motors are being attempted.

## **SYSTEM OF TRACTION**

There are various systems of traction are commonly used such as

1. Direct steam engine drive
2. Direct internal combustion engine drive
3. Steam electric drive
4. Petrol electric traction
5. Battery electric drive
6. Electric Drive
7. Internal combustion engine electric drive

### **Direct Steam Engine Drive :**

The steam engine drive used to be widely employed for railway work. In this drive the reciprocating steam engine is invariably used for getting the necessary motive power because of its inherent simplicity, operational dependability, and simplified maintenance, the simplicity of connections between the cylinders and driving wheels and easy speed control. It causes no interference to the communication lines running along the track. It is cheap for low density traffic areas and initial stages of communication by rail.

### **Direct Internal Combustion Engine Drive:**

Direct internal combustion engine drive is widely employed for road transport. The efficiency of internal combustion engine at its normal speed is about 25 percent. It is self contained unit and it is not tied to any route. Initially the cost of vehicle and garage is very low. Speed control and braking system employed is very simple. It is cheap drive for the outer suburbs and country districts.

### **Steam Electric Drive:**

A few locomotives employing steam turbine for driving a generator used for supplying current to electric motors have been built for experimental purposes.

### **Internal Combustion Engine Electric Drive :**

In this drive the reduction gear and gear box are eliminated as the diesel engine is to drive the dc generator coupled to it at a constant speed. This type of drive has found considerable favour for railway work and locomotives of this type are becoming widely used.

#### **Petrol Electric Traction:**

This system has been used in heavy lorries and buses. Due to electric conversion it provides a very fine and continuous control which makes the vehicle capable of moving slowly at an imperceptible speed and creeping up the steepest slope without throttling the engine.

#### **Battery Electric Drive:**

In this drive the locomotive carries the secondary batteries which supply power to dc motor employed for driving the vehicle .Such a drive well suited for frequently operated service such as local delivery of goods in large towns with maximum daily run of 50 to 60 km, shunting and traction in industrial works and mines. The major limitation of this type of drive is the small capacity of the batteries and the necessity for frequent charging, speed range is also limited.

#### **Electric Drive:**

The drive of this type is mostly widely used. In this system of traction the vehicle draws electrical energy from the distribution system fed at suitable points from either a central power station or substations.

### **System of Electric Traction**

Two types of vehicles are in use for electric traction. In one type they receive power from a distribution network while in the other type they generate their own power. The former type vehicles may use both a.c. or d.c. ; the latter type will be the diesel-electric car or train, petrol-electric truck, lorry and battery driven vehicles.

#### **DC TRACTION MOTOR**

Most suitable motors for dc system are the series and compound motors.

#### **DC Series Motor:**

The series motor used for traction purposes have following requirements

1. The dc series motor develops high torque at start which is essential for traction services.
2. The series motor is simple speed control method.



3. Power drawn from supply mains varies as the square root of the load torque.
4. Series motor is not suitable for regenerative braking as these are not electrically stable.
5. In case of dc series motor commutation is excellent up to twice full load so replacement of brushes is not required frequently.
6. In cases of dc series motors the flux varies as the armature current, torque corresponding to a given armature current, therefore is independent of line voltage.
7. In case of dc series motor up to magnetic saturation, torque developed is proportional to the square of the armature current. Thus dc series motor requires comparatively less increased power input with the increase in load torque.
8. The series motor when operated in parallel to drive a vehicle by means of different axles, share load almost equally even there is unequal wear of different driving wheels.
9. The dc series motor is simple and robust in construction.

#### AC TRACTION MOTOR:

**AC Series Motor:** Many single phase ac motors have been developed for traction purposes but only compensated series type commutator motor is best for traction. The construction of an ac series motor is similar to a dc series motor except that some modification such as whole magnetic circuit laminated, series field with as few turns as possible, large no of armature conductors, use of carbon brushes, numerous poles with lesser flux per pole. Compensating windings are provided to neutralize armature reaction and commutating or interpoles are provided for better performance in terms of higher efficiency and a greater output from a given size of armature core. The speed –Torque characteristics and the speed-current characteristics of compensated series type commutator motors are similar to those of D.C. series motor. The a.c. Series motor is not suitable to suburban services where stops are frequent. It is being extensively employed on main line work on the continent and in America and provides good service.

If a d.c. series motor is worked on a.c. it would not operate in a satisfactory manner. Though the torque on the armature would be unidirectional, it would be at double the frequency since both the field current and the armature current reverse every half cycle. The alternating flux would cause heavy iron losses in the field and yoke. Heavy sparking would also take place at the brushes since the induced voltage and currents in the armature would be short-circuited at the time of commutation. The overall performance of the motor would be poor.

The difference between d.c. and a.c. operation can be understood by a reference to figure shown below.

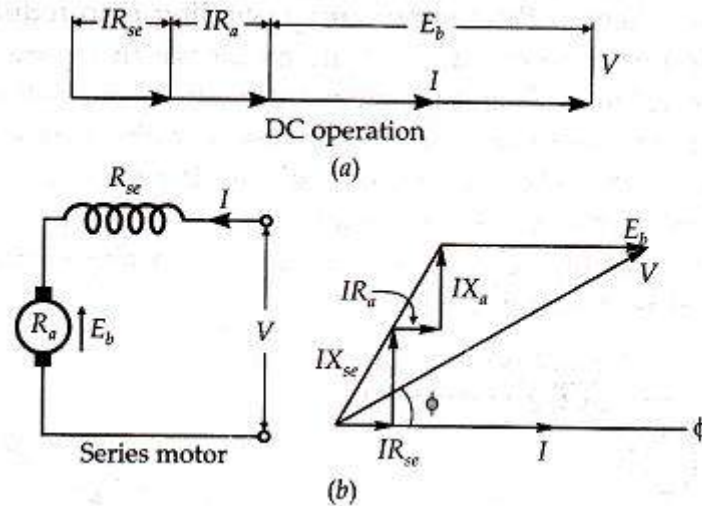


Fig. 1 Operation of series wound motor on dc and ac

Operation on d.c. is simple enough.  $I$  is the current drawn by the motor,  $IR_{se}$  and  $IR_a$  are the drops in the series field and the armature respectively.  $E_b$  is the back emf developed and equals  $k\phi N$ .

Mathematically, we have

$$V = E_b + IR_{se} + IR_a$$

Since  $I(R_{se} + R_a)$  drop is about 10 percent of the applied voltage,  $E_b$  is practically equal to  $V$ .

On the a.c. the magnetizing component of the current and the flux are in time phase and the back emf  $E_b$  which is due to rotation of the armature is also in phase with the flux. If we neglect the loss component of the current we can assume the whole current to be in phase with the flux. The drops  $IR_{se}$  and  $IR_a$  are in phase with the current while the drops due to reactance, i.e.  $IX_{se}$  and  $IX_a$  are leading the current by  $90^\circ$ . The a.c. operation is shown by the phasor diagram below. In this case  $E_b$  will be much less as compared to the d.c. operation.  $N$  is proportional to  $E_b$  and torque depends upon the product of  $E_b$  and  $I$ . Since,  $E_b$  in d.c. is larger than in a.c., for the same torque the speed for d.c. operation is higher than for a.c. operation as shown below.

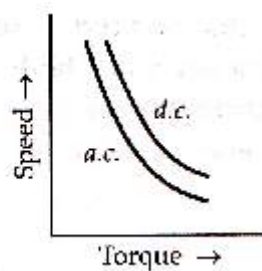


Fig.2 Speed – torque curves for d.c. and a.c. operation

In order to improve the performance of the motor on a.c., a compensating winding either in series with the armature or short-circuited in it be provided. The effect of the compensating winding is to reduce the armature reactance of the motor which increases the value of  $E_b$  and provides better speed regulation. The armature and field mmfs are at right angles to each other. The compensating winding provides an mmf opposite to the armature mmf and therefore considerably reduces the armature reactance drop. This is shown below

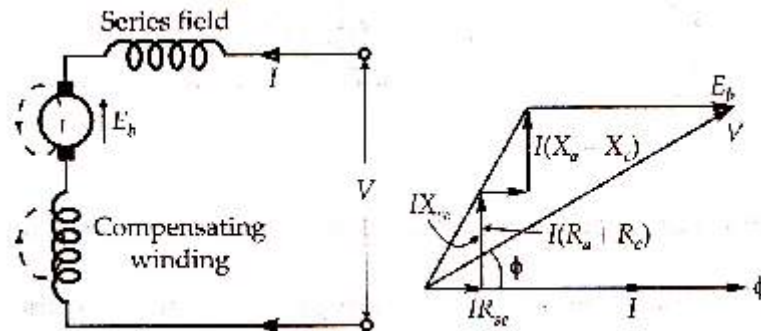


Fig. 3 Circuit diagram & phasor diagram of the series motor with compensating winding

$R_a + R_c$  represent the resistances of the armature and compensating winding.

$X_a + X_c$  represent the reactances of the armature and compensating winding.

Fig. below shows the case where the compensating winding is short-circuited on itself. It acts like the short-circuited secondary of a transformer and greatly reduces the effect of the armature reactance. In the phasor diagram  $R'_a$  and  $X'_a$  are the equivalent resistance and reactance of the armature and compensating winding referred to the armature circuit. It is also seen that by using the compensating winding, the power factor of the motor improves as shown in the figure below.

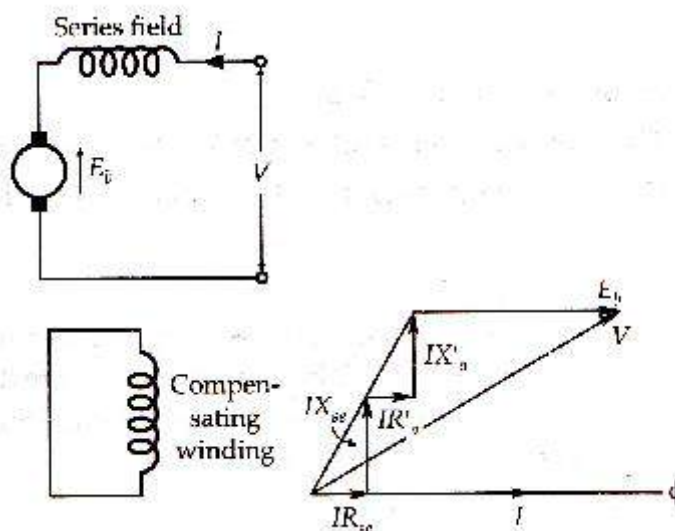


Fig.4. Circuit and phasor diagram for an inductively compensating series motor

### THREE-PHASE INDUCTION MOTOR

Although it is robust and the simplest in construction, the difficulties in starting and speed control do not make it suitable for traction work. The speed torque curve is flat. It has been used in the Kando system in Hungary and some sections of Italian State Railways. It was not likely to find further application elsewhere though in recent years, with power electronic method of speed control, research is being undertaken to apply this drive in traction.

### CONTROL OF MOTORS

#### CONTROL OF D.C. MOTORS

The starting current taken by a D.C. motor during its starting period is limited to a value approximately equal to the normal rated current by the resistance of the starter. There is a considerable loss of energy at the starting resistance. Consider the use of a single motor started by a resistance starter, the average value of the current during the starting period being limited to  $I$ , the normal full-load current.

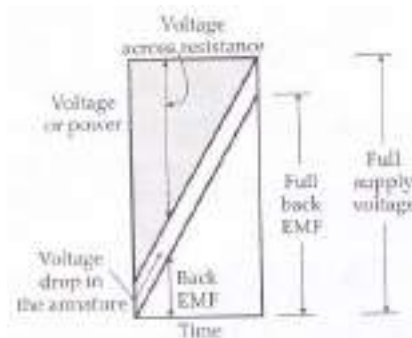


Fig.5. Voltage during the starting of a d.c. motor

The back emf of the motor starts to build up from zero magnitude. At the instant of switching on the supply,  $E_b=0$ , a current of  $I$  amperes is drawn from the supply and the supply voltage is the sum of the  $IR$  drop in the motor armature and the voltage drop across the starting resistance. At any other instant during starting, the supply voltage = (motor back emf)+(IR drop in the motor armature)+(voltage drop across starting resistance).

At the end of the accelerating period, the back emf has developed to a full value and the supply voltage =(back emf)+(IR drop).

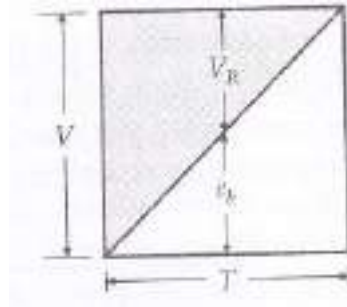


Fig.6. Starting of a dc motor by using a resistor in the armature circuit

If  $T$  is the time in seconds for starting and further if we ignore the voltage drop due to the resistance of the motor armature circuit we have total energy supplied  $=VIT$  watt-sec. in fig. shown the back emf and  $V_r$  is the voltage drop across the starting resistance at any instant.

### SERIES PARALLEL STARTING

In traction work, usually two or more similar motors are employed. Considerable saving energy can be affected by employing series-parallel starting. Consider the use of two series motors. They are started in series with the help of a starting resistance till each of them develops a back emf equal to half the supply voltage minus the  $IR$  drop. The motors give one running speed when they are in the full series position. The starting resistance is again re-inserted in the circuit and the motors are switched in parallel. The starting resistance is cut out in steps and the back emf of each motor develops from about half the value to the normal value. In the full parallel position the motors give another running speed which is obviously higher than that when the motors are in full series.

Let us consider the case of two similar motors started by the series parallel method as shown below.

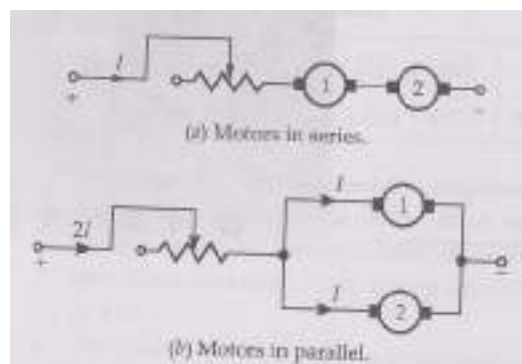


Fig.7. Series Parallel starting

Let the current during the starting interval be limited to the normal rated current  $I$  per motor. During the series period a current of  $I$  amperes is drawn from the supply while during the parallel period a current of  $2I$  is drawn.

As shown in figure below, at the instant of starting  $OA = OB = IR$  drop in each motor,  $OK =$  supply voltage  $V$ . The back emf of the two motors jointly develops along the line  $OM$ . The back emf of two motors at the point  $E$  plus  $IR$  drops equal to  $V$ . Any point on the line  $BC$  at any instant represents the sum of back emfs of two motors and the  $IR$  drops.  $OE$  is the time taken for the series running. Now the motors are switched on in parallel, at instant  $E$  with the starting resistance reinserted.

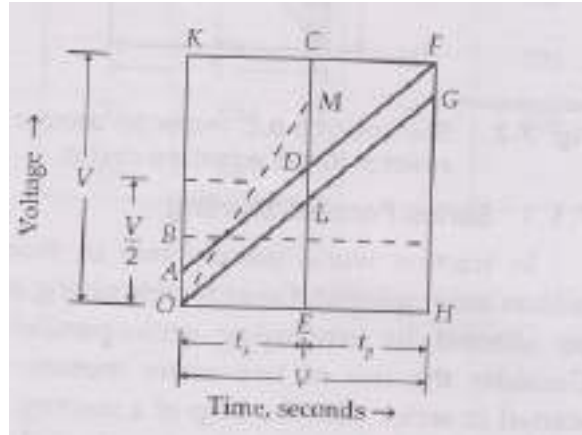


Fig.8 Voltage build-up in series-parallel starting

At the end of the series period each motor has developed a Back-emf equal to  $(V - 2 IR)/2 = (V/2) - IR$

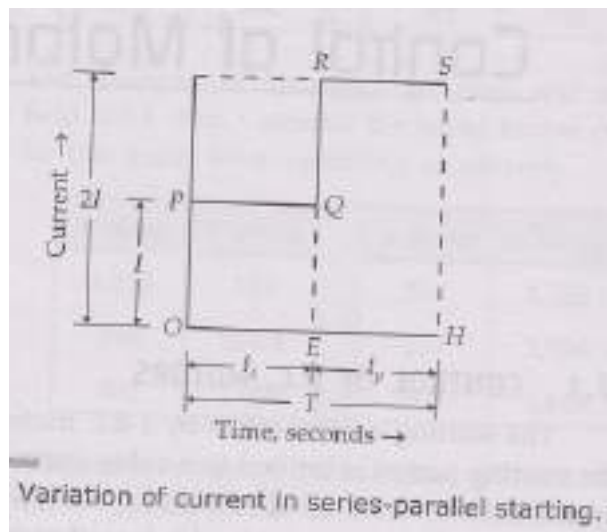


Fig.9 Variation of current in series-parallel

The back emf of each motor is represented by the ordinate  $EL = ED - LD = ((v/2) - IR)$

The back emf of each motor is represented by the ordinate  $EL = ED - LD = (\frac{V}{2} - IR)$

The back emf of the combination now develops along  $LG$  and at  $H$  when the motors are in full parallel we have  $HF =$  supply voltage  $V$ ,  $HG =$  normal back emf of each motor and  $GF = IR$  drop in each motor.

Figure below shows the current during the series and parallel starting periods. During the series period OE, the current is I while during the parallel period EH is 2I.

The value of the time  $t_s$  during which the motors remain in series and  $t_p$ , during which there are in parallel can be determined from figure shown below. Triangles OLE and OGH are similar.

Therefore

$$\frac{OE}{OH} = \frac{LE}{GH}$$

$$\frac{t_s}{T} = \frac{LE}{GH} = \frac{DE-DL}{FH-FG} = \frac{\frac{V}{2}-IR}{V-IR}$$

$$\text{And } t_s = \frac{1}{2} \left( \frac{V-2IR}{V-IR} \right) T$$

$$\text{Hence } t_p = T - t_s = T - \frac{1}{2} \left( \frac{V-2IR}{V-IR} \right) T$$

$$= \left[ 1 - \frac{1}{2} \left( \frac{V-2IR}{V-IR} \right) \right] T$$

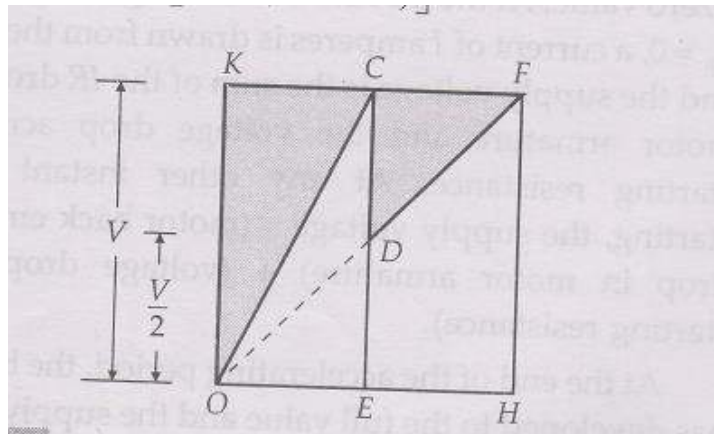


Fig.10 Efficiency of starting by series parallel method

Let us now calculate the efficiency of this method. For this purpose neglect the IR drop in the armature circuit as back emf developed practically equals the voltage impressed across the motor. This modifies the figure to as shown.

Since, D is the mid-point of CE and the back emf of the motor develops along DF in the parallel combination, KC = CF, i.e., time for series combination = the time for the parallel combination.

Let  $t_s = t_p = t$  and the average starting current be I per motor,  $t_s = OE$ ,  $t_p = EH$ .

The energy lost in starting resistance is proportional to the shading area. i.e.

$$= I \left( \frac{1}{2} V t \right) + \left( \frac{1}{2} \frac{V}{2} t \right) 2I = IVt$$



Total energy supplied  $= IVt + 2IVt = 3IVt$

Efficiency of starting  $= \frac{(3-1)IVt}{3IVt} = 2/3$  or 66%

Thus the efficiency is increased by about 17 %. The series-parallel method enables a saving of about 15 to 20 % in the energy.

### The Series-Parallel Control

The series-parallel control is carried out as follows:

(a) Shunt Transition: The various stages involved in this method of series-parallel control are shown below.

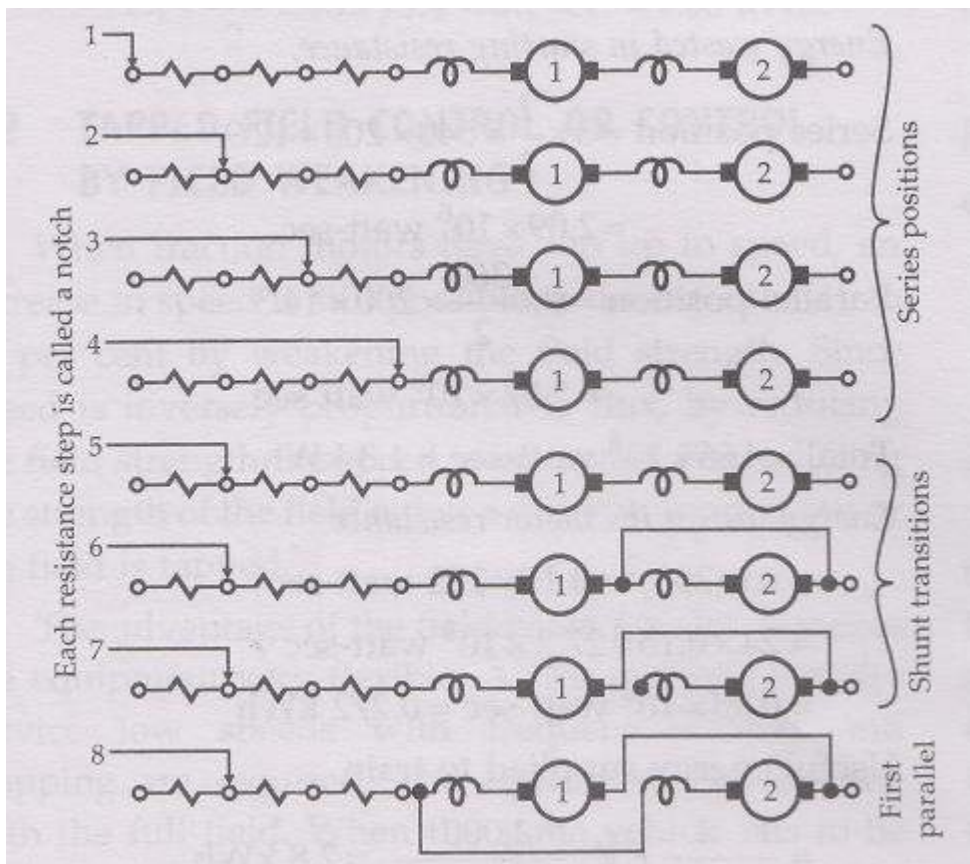


Fig..11 Series position

In steps 1,2,3,4 the motors are in series and are accelerated by cutting out the starting resistance in steps. In step 4 , the motors are in full series. During transition from series to parallel, the resistance is re-inserted in the motor circuit (step-5).One of the motors is by-passed (step-6) and disconnected from the main circuit (step-7).

It is then connected in parallel with the other motor (step-8) giving the first parallel position. The resistance is then cut out in steps completely and the motors are placed in parallel.

This method is known as the shunt-transition method.



(b) Bridge Transition: the motor and the starting rheostats are connected in the form of a Wheatstone bridge as shown below.

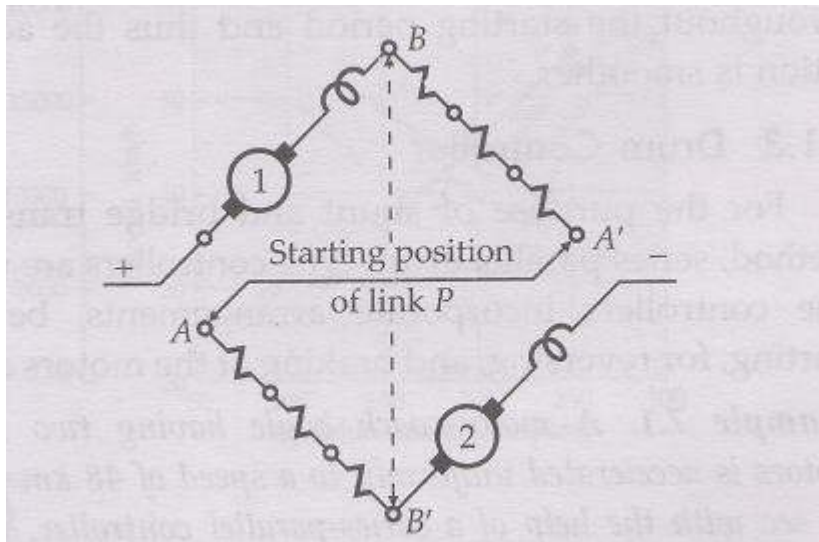


Fig.9. Series position.

(a) At starting, motors are in series with link P in position AA'

(b) Motors in full series with link P in position BB'

In the first starting position the motors are in series and the rheostats are completely in

Circuit as indicated by the rheostats arm P at A A'. A and A' are moved in the direction of the arrowheads and in position BB' the motors are in full series.

In the transition step, the rheostats are reinserted by connecting to positive and negative of the supply as shown below.

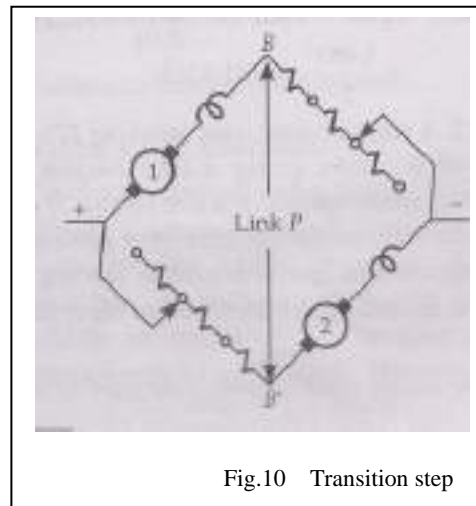


Fig.10 Transition step

In the first parallel step, the link P is removed and the motors are connected in parallel with the starting resistances in their circuit.

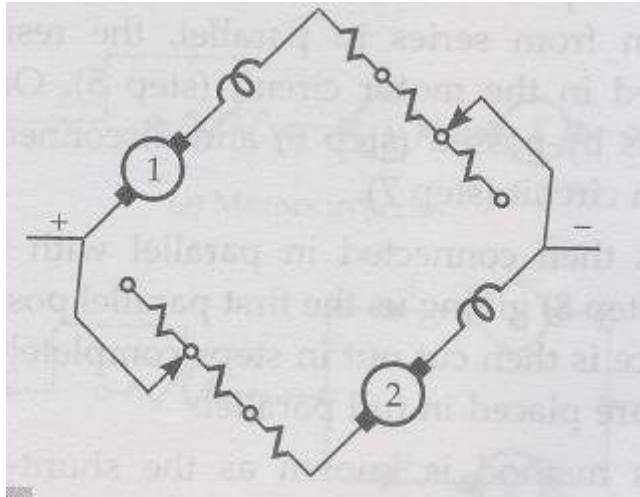


Fig.11 First Parallel position

The advantage of the bridge transition method over the shunt transition method is that the normal accelerating torque is available from both the motors throughout the starting period and thus the acceleration is smoother.

### DRUM CONTROLLER

For the purpose of shunt and bridge transition method, series parallel drum type controllers are used. The controllers incorporate arrangements, besides starting, for reversing, and braking of the motors also.

**Tapped Field Control** :As the speed of the motor is inversely proportional to the flux (assuming line voltage constant), therefore, the speed can be varied by varying the flux. In case of series motors the flux can be varied either (i) by connecting a variable resistance known as diverter in parallel with the series field winding or (ii) by cutting out some of the series field turns. Since in both the cases the flux can be only reduced, therefore, this method is known as field weakening method and speeds above normal can be obtained. By this method speed can be raised to the extent of 15 to 30 percent of normal speed owing to design difficulties arising with traction motors.

The field weakening method is of no use for starting purpose. This method is used for increasing the speed of traction motors upto the extent of 10 to 15 percent when they have attained maximum possible speed by series-parallel control system. The advantage of this system is that it increases the flexibility of the train utility.

### THE METADYNE SYSTEM OF CONTROL FOR D.C. MOTORS

In the series-parallel control of D.C. traction motors, there is considerable loss of energy in the starting resistances. The metadyne system of control estimates the energy loss and achieves a very smooth control during the acceleration period.

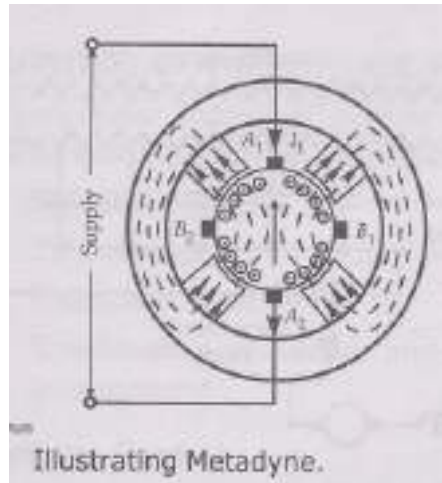


Fig.12 Illustrating Metadyne

Consider a D.C. armature with two brushes and two poles. If current is supplied to the two brushes  $A_1A_2$  the armature cross-flux will be as shown and mainly confined to the poles as shown in Figure. If there are four brushes, current is supplied to brushes  $A_1A_2$  and the armature cross-flux will take up the path as shown below. If now the current is supplied to brushes  $B_1B_2$  as shown the armature cross-flux takes up path as indicated. If the armature is rotated at a constant speed and a current  $I$  is fed into the brushes  $A_1A_2$ , an emf is induced in the winding between  $B_1B_2$  due to the flux produced by  $I$ . No emf is induced between  $A_1A_2$  and the voltage between  $A_1A_2$  is on account of the voltage drop due to  $I_1$ .

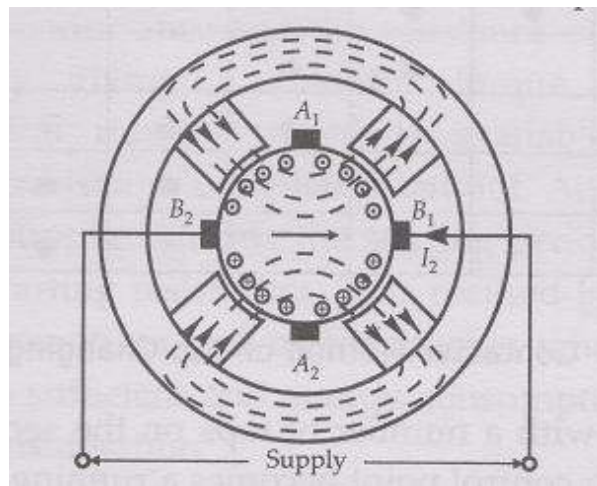


Fig.6.14

Since an emf is induced across  $B_1, B_2$  a current  $I_2$  will flow in a load connected between them. The resultant flux distribution on account of  $I_1$  and  $I_2$  is as shown below.

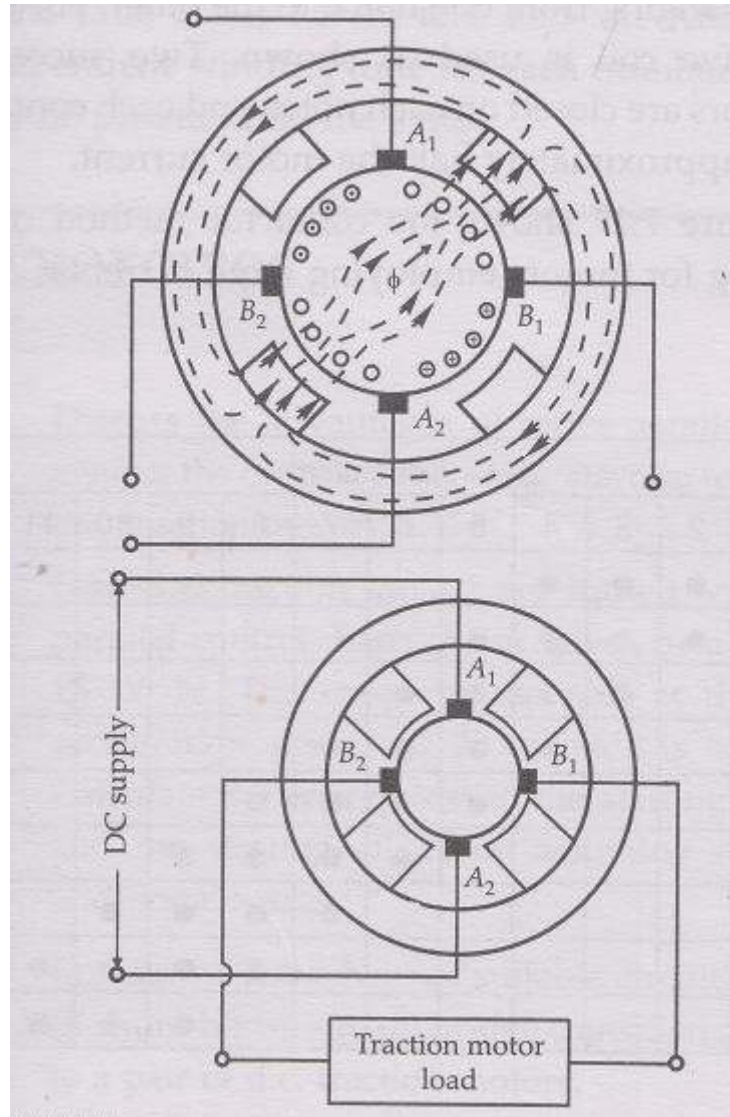


Fig.15

The total flux may be assumed to be made up of two components  $\phi_1$  and  $\phi_2$  at right angles and directed along  $A_2A_1$  and  $B_2B_1$ . The rotation of the armature in  $\phi_2$  induces an emf  $E_1$  between  $A_1$  and  $A_2$  which opposes the supply voltage. Since the current is to be kept at its original value of  $I_1$ , the supply voltage must be induced to overcome  $E_2$ . Under steady conditions

$$E_1 \propto \phi_2 = KI_2$$

$$E_2 \propto \phi_1 = KI_1$$

$$E_1 I_1 = E_2 I_2 = K I_1 I_2$$

This shows that the machine behaves like a D.C. transformer. Only the rotational losses of the machine need be supplied by the driving motor.

If the supply voltage  $E_1$  remains constant,  $I_2$  remains constant. The arrangement therefore is quite suitable for starting D.C. motors

**Rheostatic Control** :A series motor can be started by connecting an external resistance (starter) in series with the main circuit of the motor. At the starting instant, since the back emf developed by the motor is zero, therefore, the resistance connected in series with the motor is maximum and is of such a value that the voltage drop across it with full load rated current is equal to the line voltage. As the motor speeds up, the back emf developed by the motor increases, therefore, the external resistance is gradually reduced in order to maintain the current constant throughout the starting or accelerating period. Basic traction motor circuit with rheostatic starting is shown in figure. In this method there is a considerable loss of energy in the external circuit.

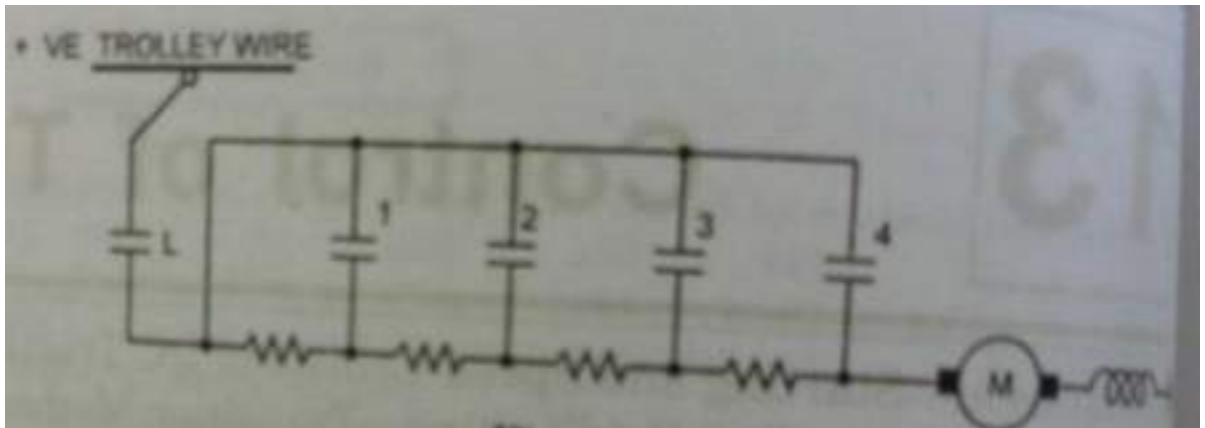


Fig.16 Rheostatic control method

## BRAKING

### Introduction

In traction work both electrical and mechanical braking are employed for bringing the vehicle to rest. Electrical braking cannot do away with the mechanical brakes since a vehicle cannot be held stationary by its use; it nevertheless forms a very important part of a traction system..The main advantage of using electric braking is that it reduces the wear on the mechanical brakes and gives a higher value of braking retardation thus bringing a avehiclequickly to rest and cutting down considerably on the running time.Where regenerative braking is employed , a part of the energy is returned to the supply thereby affecting a considerable saving in the running costs.

For D.C. motors There are three methods emp-loyed for electric braking:

- (i) **Plugging**
- (ii) **Rheostatic braking**
- (iii) **Regenerative braking**

**Plugging** : Elaborate discussions have already been made on this in previous chapter and does need any more of it.

## Rheostatic Braking

When two or three series motors are used for traction work, the motors are connected in parallel across a resistance. The kinetic energy of the vehicle is utilised in driving the motors as generators which dissipate this energy in the form of heat in the rheostats to which they are connected. The two machines in parallel amount to two series generators in parallel and in order that they may self-excite, an equalizer connection as shown has to be used. If the equalizer connection are not used, the machine that would build up first would send a current through the other in the opposite direction with the result that the second machine would excite with reversed voltage. The two machines would be short-circuited on themselves and might even burn out on account of large currents. The equalizer prevents such a condition.

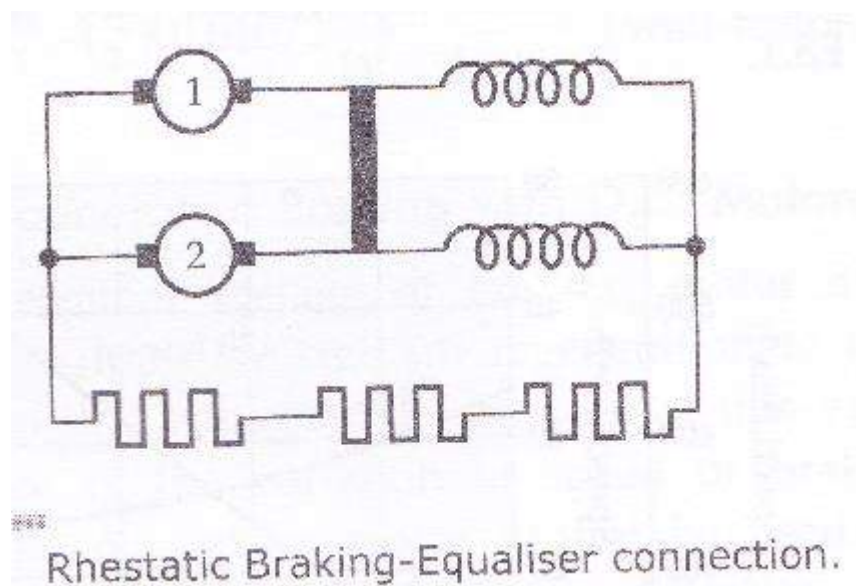


Fig.17

Another way to cross connect the fields of the machines is shown below.

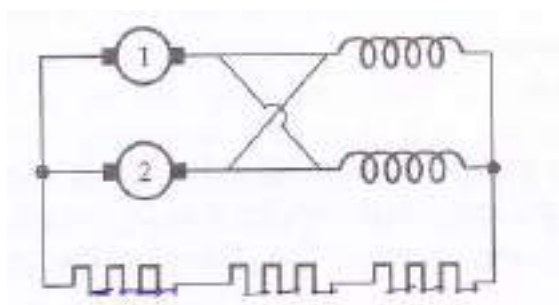


Fig.17 Rheostatic braking cross connection

Suppose the voltage of machine 1 is greater than that of 2. It will send a greater current through the field of machine 2 causing it to excite to a higher voltage and its own excitation will be kept down because of the lesser induced emf of 2. Thus automatic compensation is provided and the two machines operate satisfactorily.

The connections of the second case possess an advantage over that of the first. If the direction of rotation of the armature reverses, say, due to run-back, the machines fail to



excite in the first case and no braking effect can be produced. However, with the cross-connected fields the machines build up in series and since they are short-circuited upon themselves, they provide emergency braking and would not allow the car to run-back on a gradient.

## REGENERATIVE BRAKING

### Mechanical Regenerative braking

When a train is accelerated up to a certain speed, it acquires kinetic energy corresponding to that speed. During the coasting period, a part of this kinetic energy is used up in overcoming the fractional resistance and some part is utilized in the propulsion of the train. The kinetic energy, which is utilized in the propulsion, does useful work and therefore coasting may be regarded as “mechanical regenerative braking” since the speed gradually decreases on account of the utilization of the kinetic energy stored in the train at the end of the accelerating period.

A system of track grading is employed in the case of the underground railway where the kinetic energy of a train may be used in doing useful work against gravity. Two types of graded tracks are shown in Figure below.

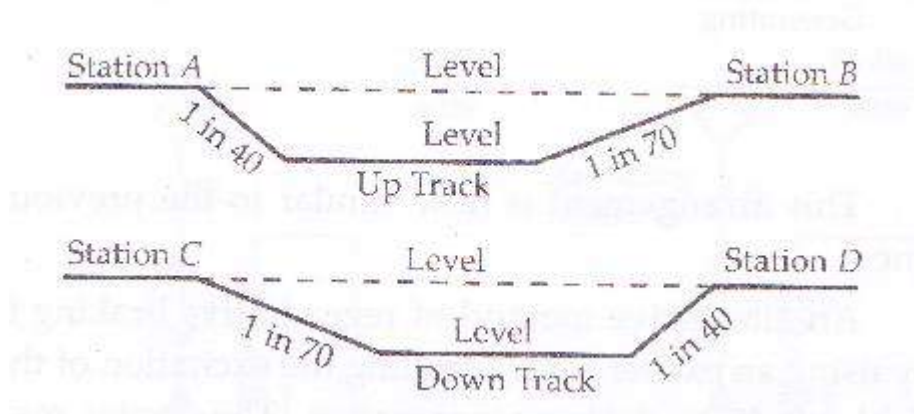


Fig.18 Track Grading

When the train is at a station, say A, it possess a certain potential energy which is utilized in its descent down the gradient till it reaches the level tracks. However, graded track construction is only possible in the case of the underground railway and is not practicable for surface railway.

### Regenerative Braking with D.C. Motors

The terminal voltage of the D.C. motor must exceed the supply voltage for regeneration to take place. Also this voltage must kept at this value irrespective of the variation in speed or braking torque. The D.C. series motor cannot be used for regenerative braking without modification for the reasons to be stated presently. During regeneration the current through the armature reverses and since the excitation has to be maintained, the field

connection must be reversed, if a short-circuit condition to be avoided. For, if the field connection were not reversed the regenerated current in it would reverse the field which would reverse the emf of the motor and the supply voltage and back emf would aid each other setting up a short-circuit condition.

One method of regenerative braking with series motors is the French method. If there is a single series motor as in the case of a trolley-bus it is equipped with a main series field auxiliary any field windings placed in parallel with the main series winding.

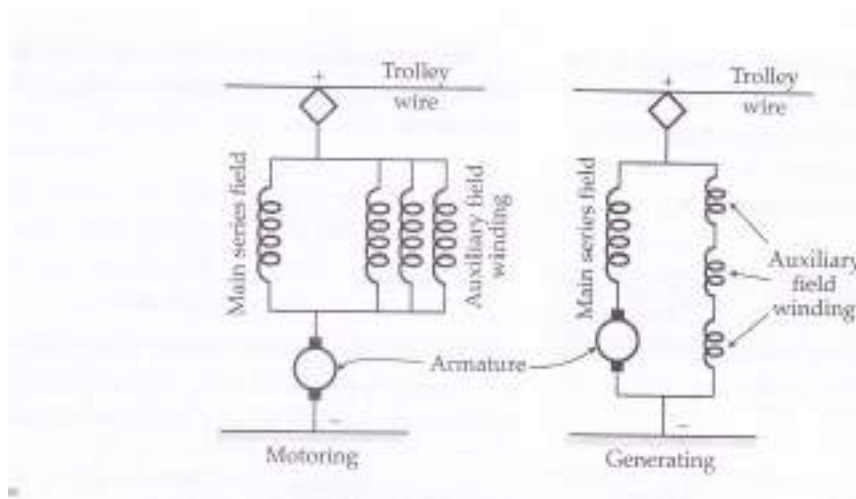


Fig. 20 Regenerative braking

During regenerative braking the auxiliary field windings are placed in series with each other and switched over in parallel across the armature and the main series field. The machine acts as a compound generator with slight differential compounding. If there is a change in the line voltage, the shunt excitation being sensitive to such changes, immediately causes the emf of the generator to increase or decrease thus providing the necessary balance. Suppose the line voltage tends to increase beyond the emf of the generator. The increased voltage across the shunt circuit will send a large exciting current through it causing the emf of the generator to rise. The reverse of this happens when the line voltage tends to fall. The arrangement is, therefore, self-compensating.

In locomotives where four or six series motors are used, there need not be any auxiliary windings. During normal working all the motors are in series within their respective field windings but during regeneration, the motor armature is in parallel with the field windings of all other motors except one.



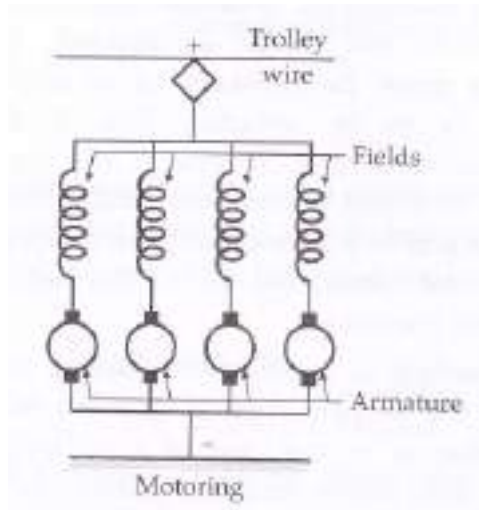


Fig.21 Regenerative Braking

This arrangement is now similar to the previous one. An alternative method of regenerative braking by using an exciter for controlling the excitation of the field winding during regeneration. The exciter may either be axle driven or noticed from an auxiliary supply.

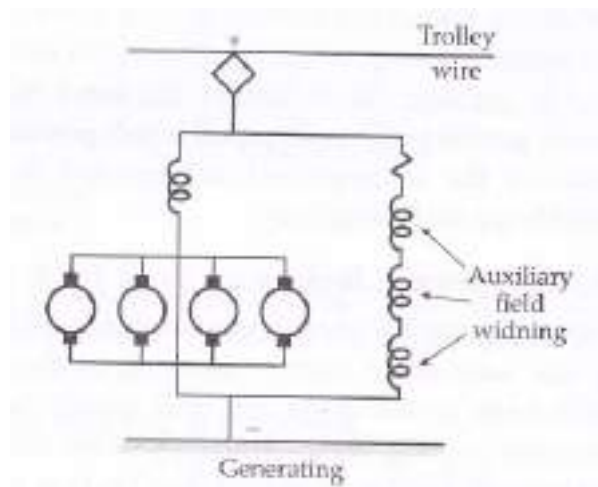


Fig. 22 Regenerative braking (alternative)

As shown in Figure the exciter E have separately excited winding whose excitation is controlled by the driver. The armature of the exciter is placed in the circuit of the series fields of motors 1 and 2. The exciter has other winding  $F_2$  placed in series with the main motor circuit.  $F_2$  and  $F_2$  are arranged to oppose each other during regeneration. Suppose the line voltage decreases, it will try to increase the regeneent through the armayures 1 and 2. The excitation of  $F_2$  therefore increase and since  $F_2$  and  $F_2$  each other, the emf of E falls on account of reduced excitation. As soon as the emf of the exciter falls , the current in the field

current 1 and 2 decreases causing the emf of 1 and 2 to decrease. Compensation for a decrease in the line voltage is automatically provided, The arrangements shown below has the exciter connected in the circuit of the field windings and the stabilizing resistance. The balance of voltage available in the exciter armature circuit is reduced causing a reduction in the exciting current in the fields of 1 and 2.this decrease the induced emf of the generators, thus providing inherent compensation.

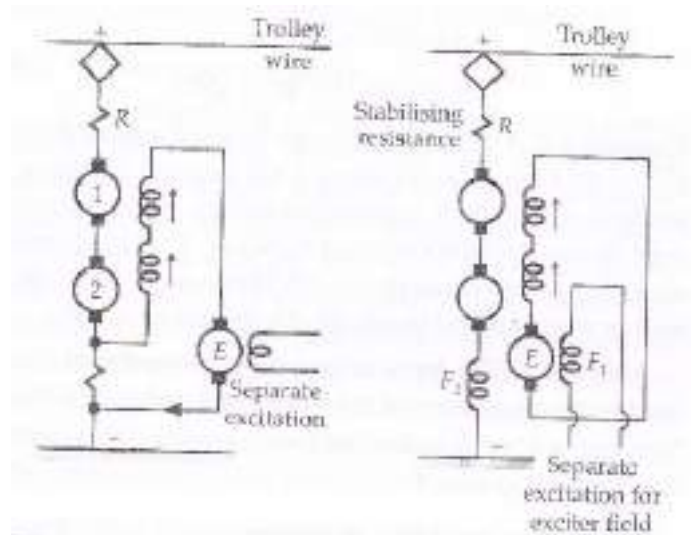


Fig. 23 Regenerative braking

The function of the stabilizing resistance is to prevent the current surges when the vehicle crosses one section of the supply to another and to compensate for variation in line voltage.

### Limits of Braking

Regenerative braking is employed down to a speed of 16 km.ph. Then rheostat braking to about 6.5 km.ph and then mechanical brakes are used to bring the vehicle to rest.

### REGENERATIVE BRAKING WITH THREE-PHASE INDUCTION MOTORS

Regenerative braking with three-phase induction motor occurs automatically when the motor runs at a speed slightly above the synchronous. It then works as induction generator. The induction generator however is not self-starting and must be connected to a system supplied from synchronous generator.

The torque-curve of an induction motor is as shown below. With no extra resistance in the rotor circuit, there is only a slight variation of speed with torque. By adding extra resistance in the rotor circuit the speed increases for a particular braking torque.

Therefore while braking without any extra resistance in the rotor circuit; the speed will be kept almost constant independent of the gradient and the load of the train. This is a great advantage with the induction motor when used for traction.

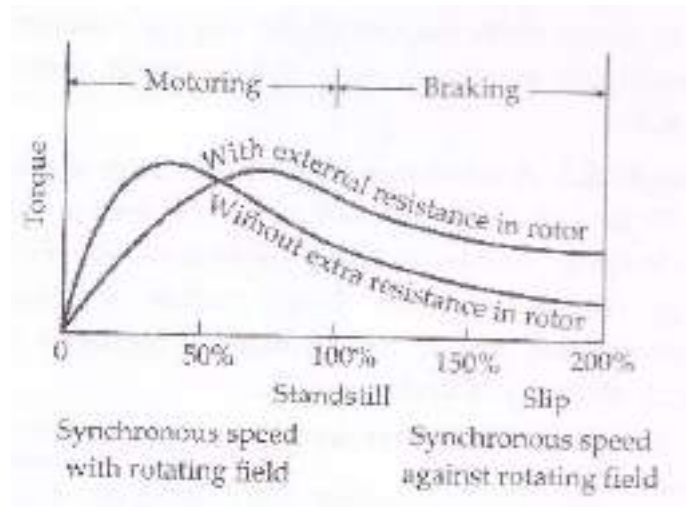


Fig.24 Torque speed curve of an Induction motor

## **BRAKING WITH SINGLE-PHASE SERIES MOTORS**

In this case both rheostatic and regenerative braking are possible.

**Rheostatic Braking:** The motors are worked as separately excited generators supplying energy to resistance load. The fields are energized at low voltage from suitable tapings on the train transformer. The kinetic energy of the rotor is dissipated as electrical energy in the load resistance. Also, the fields of the motors may be excited from one of the motors acting as a series generator. In this case D.C. will be generated in the rotors of the motors and the kinetic energy of rotors will be dissipated as D.C. power in the loading resistors.

### **Regenerative Braking**

For generative braking the regenerated power should be at the frequency of the main supply. This necessitates the energizing of the field winding from the main supply. Secondly, the regenerated current must be in phase opposition to the applied voltage and also the flux  $\Phi$  so that the power may be feedback into the supply system. The voltage applied to the field winding must be  $90^\circ$  out of phase with respect to the supply voltage. An arrangement to obtain these conditions is shown below.

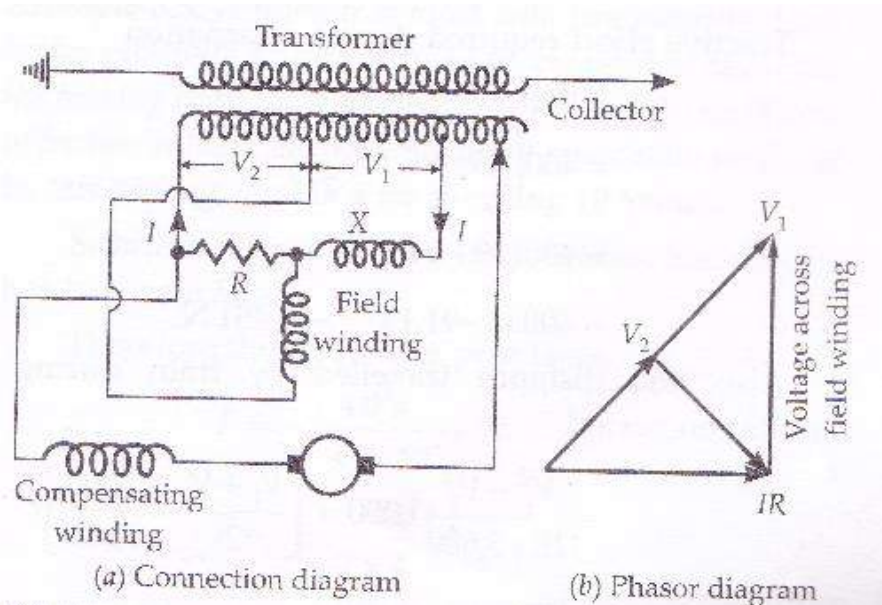


Fig.25 Regenerative braking with single phase series motor

### MECHANICAL BRAKING

Mechanical brakes are essential feature on traction vehicles and are always operated by power. Two types of mechanical power brakes have been developed. (i) compressed air-brakes and (ii) vacuum brakes. The compressed air brake is extensively used on electrified railway and vacuum brakes on steam railway. The compressed air brake possess a little advantage over the other type since compressed air can conveniently be stored up and released for quick action where as the vacuum brake, a pump has to create the necessary vacuum. However, use of a vacuum reservoir overcomes this drawback.

### THE VACUUM BRAKE

It is made up of a vertical cylinder having a piston and a piston rod which operates the braking arrangement through a system of levers. Vacuum is created on the top and the underside by admitting of the piston so that in the normal condition, the piston rests at the bottom of the cylinder. When brakes are to be applied, the vacuum is broken from the underside by admitting air at atmospheric pressure. The piston moves up applies the brakes. The brakes may be released by either creating the vacuum or by making the pressure equal on both sides of the piston.

### The Compressed Air Brake

It consists of a reservoir of compressed air, a brake cylinder, a valve and pipe. The brakes are kept in the 'off' position by springs in the brake cylinder. When brakes are to be applied, compressed air is admitted into the cylinder. It presses the piston against the force of the spring. Clearly, the force with which the brakes are applied depends upon the quantity of

the compressed air admitted. To release the brakes, compressed air is exhausted from the cylinder.

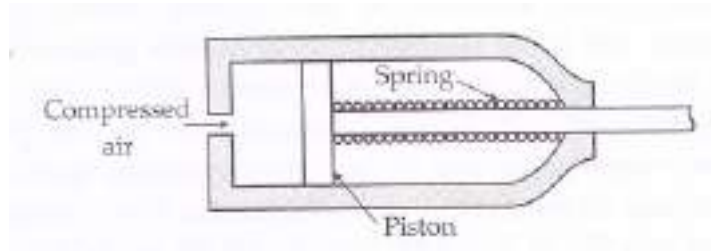


Fig.26 Action of compressed air brake

### Magnetic Track Brake

It is used in tramcars. The electromagnet is bipolar. The body is made of cast steel and the pole faces are made of soft steel and can be renewed. The exciting coil is enclosed in a water-tight case. The magnetic flux is perpendicular to the pole faces and the track. The force of attraction between the magnet and the track is given by

$F = \frac{B^2 a}{2 \times \pi \times 10^{-7}} \text{N}$ , where B is the flux density in weber/m<sup>2</sup> and a is the area in the pole face in sq.m. The drag that it can produce on the car is given by micro farad, where t is the coefficient of friction.

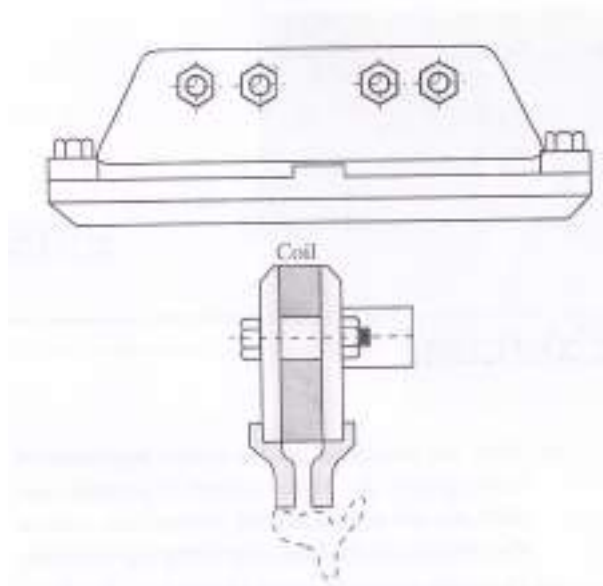


Fig.27 Magnetic Track brake

### **Electro-Mechanical Drum Brakes**

The brake drum is fitted to the motor shaft and brake shoes are applied by springs and released by a solenoid excited from a battery. They have replaced the hand applied wheel brake.

Lecture notes on

UTILIZATION OF ELECTRICAL ENERGY AND TRACTION

A Course in 6<sup>th</sup> semester of diploma in ELECTRICAL ENGINEERING



**GOVERNMENT POLYTECHNIC, NABARANGPUR**  
Government of Odisha

ସରକାରୀ ବହୁବୃତ୍ତି ଅନୁଷ୍ଠାନ, ନବରଙ୍ଗପୁର

## SYLLABUS

### 1. ELECTROLYTIC PROCESS

1.1 Definition and Basic principle of Electro Deposition. 1.2 Important terms regarding electrolysis. 1.3 Faradays Laws of Electrolysis. 1.4 Definitions of current efficiency, Energy efficiency. 1.5 Principle of Electro Deposition. 1.6 Factors affecting the amount of Electro Deposition. 1.7 Factors governing the electro deposition. 1.8 State simple example of extraction of metals. 1.9 Application of Electrolysis.

### 2. ELECTRICAL HEATING

2.1. Advantages of electrical heating. 2.2. Explain mode of heat transfer and Stephen's Law. 2.3. Discuss principle of Resistance heating. 2.3.1 Direct Resistance heating. 2.3.2 Indirect

Resistance heating. 2.4. Explain working principle of direct arc furnace and indirect arc furnace. 2.5. Principle of Induction heating. 2.6. Working principle of direct core type, vertical core type and indirect core type Induction furnace. 2.7. Principle of coreless induction furnace and skin effect. 2.8. Principle of dielectric heating and its application. 2.9. Principle of Microwave heating and its application.

### **3. PRINCIPLES OF ARC WELDING**

3.1 Explain principle of arc welding. 3.2 Discuss D. C. & A. C. arc phenomena 3.3 D.C. & A. C. arc welding plants of single and multi-operation type. 3.4 Types of arc welding. 3.5 Explain principles of resistance welding. 3.6 Descriptive study of different resistance welding methods.

### **4. ILLUMINATION**

4 .1 Nature of Radiation and its spectrum. 4 .2 Terms used in Illuminations. i. Luminous intensity ii. Lumen iii. Intensity of illumination iv. MHCP v. MSCP vi. MHSCP vii. Brightness viii. Solid angle ix. Luminous efficiency 4 . 3 Explain the inverse square law and the cosine law. 4 . 4 Explain polar curves. 4 . 5 Describe light distribution and control. Explain related definitions like maintenance factor and depreciation factors. 4 . 6 Design simple lighting schemes and depreciation factor. 4 . 7 Constructional feature and working of Filament lamps, effect of variation of voltage on working of filament lamps. 4 . 8 Explain Discharge lamps. 4 . 9 State Basic idea about excitation in gas discharge lamps. 4 . 10 State constructional factures and operation of: - Fluorescent lamp. (PL and PLL Lamps) 4 . 11 Sodium vapor lamps. 4 . 12 High pressure mercury vapour lamps. 4 . 13 Neon sign lamps. 4 . 14 High lumen output & low consumption fluorescent lamps.

### **5. INDUSTRIAL DRIVES**

5 . 1 State group and individual drive. 5 . 2 Method of choice of electric drives. 5 . 3 Explain starting and running characteristics of DC and AC motor. 5 . 4 State Application of : 5.4.1 DC motor 5.4.2 3 phase induction motor 5.4.3 3 phase synchronous motors. 5.4.4 Single phase induction, series motor, universal motor and repulsion motor.

### **6. ELECTRIC TRACTION**

6. 1. Explain system of traction. 6. 2. System of Track electrification. 6. 3. Running Characteristics of DC and AC traction motor. 6. 4. Explain control of motor 6.4.1 Tapped field control 6.4.2 Rheostatic control 6.4.3 Series parallel control 6.4.4 Metadyne control 6. 5. Explain Braking of the following types. 6.5.1 Regenerative Braking 6.5.2 Braking with 1-phase series motor 6.5.3 Magnetic Braking



## 1<sup>st</sup> Chapter

## Electrolytic Process

The substances which decomposes when an electric current each passed through they are called electrolyte.

→ The process of decomposition of electrolyte by the passage of electric current through them is called electrolytic process or electrolysis.

### Defination

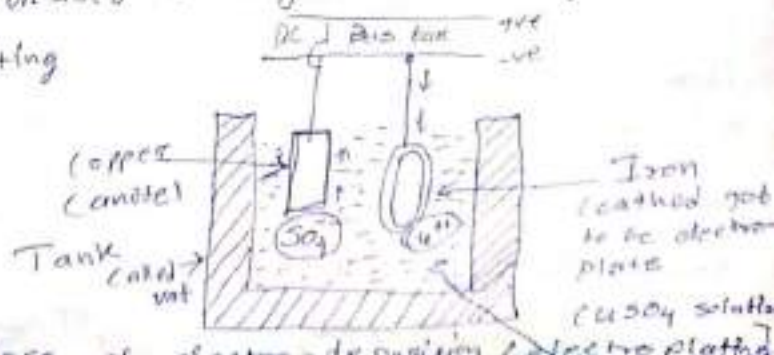
The process of depositing a metal on the surface of some other metal by electrolysis is called ~~the~~ electroplating.

### Basic principles of electrodeposition

If two electrodes are dipped in an electrolyte potential is applied across them, the electrodes are named as +ve or anode and -ve or cathode. The molecules of the substances dissolve

→ They are broken up into two types of ions i.e. +ve and -ve ions.

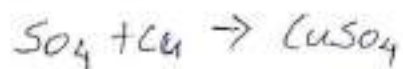
→ Let us consider a ring of Fe to be given a copper coating



- The electrolyte used in given example is a solution of copper sulphate ( $\text{CuSO}_4$ )
- The sulphate solution readily breaks into positive ions  $\text{Cu}^{++}$ , which are deficient in two electrons per ion and  $\text{SO}_4$  negative ions having two surplus electrons per ion
- When the two electrodes shown a D.C supply from the bus bars, the negative ions move towards the anode made of copper. Each  $\text{SO}_4$  ion after transfer of two electrons to the anode becomes  $\text{SO}_4$  radical. It attacks the copper anode to form  $\text{CuSO}_4$  molecule which dissolves once again in water to maintain the electrolyte density original level.
- The positive copper ions reach the negative electrode i.e. the cathode and receive two electrons each from the supply ckt to become Cu atoms, these get deposited on the cathode surface. The cathode as shown in fig. is the job or article to be copper plated. The copper deposited on the cathode surface is practically, having the same mass as lost by the anode in maintaining the electrolyte strength.



At anode :-  $\text{SO}_4^{--}$  less two electrons =  $\text{SO}_4$  molecule in radical form.



At cathode :-  $\text{Cu}^{++}$  plus two electron = metallic Cu atom to be deposited on the metallic cathod surface consussively, we can say that the phenomenon of deposition of a metallic coating on the surface of some other metal, through the process of electrolysis is electroplating or electro deposition.

- 1) Electrolyte :- The solution of a salt when used for electrolytic process is called an electrolyte.
- 2) Electrodes :- The plates or rods immersed in an electrolyte and connected to d.c supply are called electrodes.
- 3) Anode :- The electrode connected to the +ve terminal of the supply is called anode.
- 4) Cathode :- The electrode connected to the -ve terminal of the supply is called cathode.
- 5) Ions :- When a direct current is passed through an electrolyte it gets chemically decomposed into two parts known as the  
a) cations . . . . .  
b) anions . . . . .

7) Anions :- These are positively charged ions and they move towards the anode.

8) Chemical equivalent weight :- Chemical equivalent weight of a substance may be defined as the ratio of its atomic weight and valency. i.e. chemical equivalent

$$= \frac{\text{Atomic weight}}{\text{Valency}}$$

9) Electro-chemical equivalent :- Electro-chemical equivalent of a substance is the amount deposited on passing a steady electric current of one ampere for one second through its solution.

10) Atomic weight :- The atomic weight of an element is a number which is the average of the masses of its various isotopes weight - relative to their abundance or the atomic weight is the ratio of the weight of an atom of the element to the weight of an atom of hydrogen.

11) Valency :- The valency of an atom or a group of atoms is the number of hydrogen - atoms with which it will react chemically. Valency is always an integer but for a given atom or radical, it can have different values in different chemical reactions.



## Faraday's Laws of Electrolysis

\* First Law states :- The weight of a substance liberated from an electrolyte in a given time is proportional to the total quantity of electricity passed in the time.

Where  $Z$  is a constant and is called electro-chemical equivalent of the substance (E.C.E)

$$\begin{aligned} \text{IF } I &= 1 \text{ amp} \\ T &= 1 \text{ sec} \\ W &= Z \end{aligned}$$

Therefore, electro-chemical equivalent of a substance is the amount of that substance by weight liberated in a unit time by the passage of unit current. Its units will be milligramme per coulomb or gram per coulomb.

$$\begin{aligned} Z &= W \text{ mg/coulomb} \\ &= W \text{ mg/Amp-sec} \\ &= W \times 10^{-3} \times 10^{-3} \times 3600 \times 10^2 \\ &= 3.6 \text{ Wkg per } 1,000 \text{ ampere hours} \end{aligned}$$

→ Second law states :-

IF the same current flows for a given time through several electrolytes, the weight of substance liberated are proportional to their chemical equivalents.

$$\text{Chemical equivalent} = \frac{\text{Atomic weight of subst.}}{\text{Valency}}$$

$$\begin{aligned} & \text{Weight of copper deposited by given quantity of} \\ & \text{electricity} \\ = & \frac{\text{Weight of nickel deposited by same quantity} \\ & \text{of electricity.}}{\text{Chemical equivalent of copper}} \end{aligned}$$

$$= \frac{\text{Chemical equivalent of copper}}{\text{Chemical equivalent of nickel}}$$

### Current efficiency

Due to impurities which cause secondary reactions, the quantity of a substance liberated is less than that calculated from Faraday's laws.

$$C.E. = \frac{\text{Actual quantity of substance liberated}}{\text{Theoretical quantity}}$$

It should be noted that its value lies between 90% to 98%.

### Energy Efficiency

On account of secondary reactions the actual voltage required for the deposition or liberation of metal is higher than the theoretical value which increases the actual energy required. Energy efficiency is defined as the ratio of theoretical energy required to the actual energy required.

$$\therefore E.E = \frac{\text{Theoretical energy}}{\text{Actual energy required}}$$

### Factors effecting the amount of electro-deposition

Time :- Time is directly proportional to the quantity of electro deposition. So, we can say that more mass will be deposited in more time and less will be deposited in less time if the other conditions remain same.

② Efficiency :- Greater is the efficiency, greater is the quantity of metal deposited a given time

3) Current :- The value of current is also directly proportional to the mass of metal deposited. Greater is the current, greater is the quantity of metal deposited while other conditions remaining the same.

4) Strength of solution :- If the strength of solution is more, then the mass of metal deposited will be more as compared to the dilute solution of electrolyte if the other conditions remain the same.

### Factors governing the better electro-deposition

#### Current density :-

At low value of current density, the ions are released at slow rate, therefore the deposit will be coarse and crystalline in nature.

At higher values of current density, the quality of deposit become more uniform and





Gold plating -  $\text{Na}[\text{Au}(\text{CN})_2]$  sodium Auro cyanide  
Nickel plating -  $(\text{NH}_4)_2\text{SO}_4$   
Chromium plating -  $\text{Cr}_2(\text{SO}_4)_3$

vi) Nature of the metal upon which deposit is to be made.

These factors influence the growth of crystals since it is believed that the operation of crystals is in continuation of these in the base metals.

vii) Throwing power:-

The throwing power of an electrolyte may be regarded as the quantity which produces a uniform deposit on a cathod having an irregular shape. shows an article ABCD having an irregular shape. Although the potential applied b/w any point on the article and the anode is the same, yet the surface AB is far away from the anode as referred to surface CD.

a) By increasing the distance bet<sup>n</sup> the object and the anode so that the relative variation in resistance between the anode and the different parts on the object is reduced.

b) By using some colloidal matter which results in the increase of current density for this reason solution of the cyanides of metals usually give a greater throwing power than solution of the sulphates.

## Application of Electrolysis

597 page

- 1) Extraction of metal from their ores
- 2) Extraction of zinc
- 3) Extraction of Al.
- 4) Refining of metals
- 5) Production of chemicals.
- 6) Separating metal from their compounds.
- 7) Electroplating, typing
- 8) Electro forming
- 9) Electro deposition
- 10) Electro cleaning.

### 1) Extraction of metal from their ores

There are two methods of extraction of metals from ores depending upon the physical state of the ore.

- a) The ore is treated with a strong acid to obtain salt and the solution of the salt electrolysed to liberate the metal.
- b) When the ore is in molten state it is electrolysed in the furnace.

### 2) Extraction of zinc

The zinc ore which has mainly zinc oxide is treated with concentrated sulphuric acid, roasted and passed through various chemical processes to get rid of impurities like cadmium, copper etc. by precipitation.

The current density at the cathode is about  $1000 \text{ Amp./m}^2$  and voltage drop per cell is about 3.5 volt.

### 3) Extraction of Al.

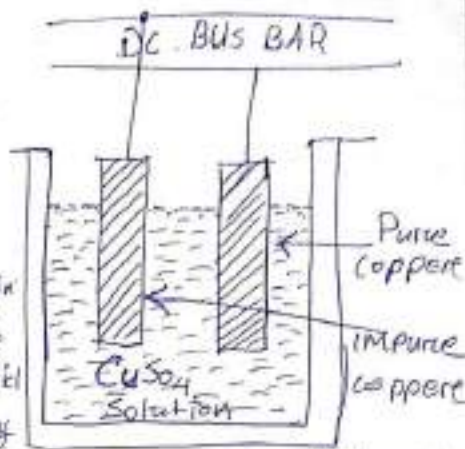
The ores of Aluminium are bauxite, cryolite, barite. is treated chemically and reduced to  $\text{Al}_2\text{O}_3$  and then dissolved in fused

crozylite and electrolyzed.

### Refining of Metals

The metal extracted from its ore is not that much pure which would be used for electrical applications.

The purity of copper obtain from its ore is about 98%. But copper to be used in electrical application must have a purity of 99.95%. This purity of copper is obtained by electrolysis.



### 5) Production of chemicals

Many chemicals such as caustic soda (KOH), chlorine gas, ammonia sulphate, hydrogen, oxygen are produced by electrolysis on a large scale.

### 6) Separating Metals from their Compounds.

Many metals are separated (from their compounds) by electrolysis e.g. on ore of Al contains about 70% Al oxide, silicate and iron oxide.

### 7) Electrotyping

In this process word casts are reproduced in copper by the process of electroplating. First the mould is made of the type in wax, when it is coated with black lead to give it a metallic surface and then it is subjected to the process a film of copper is formed on the prepared surface.

### 8) Electrodeposition

Electrodeposition is the process of depositing a metal over another metal or non-metal by electrolysis.



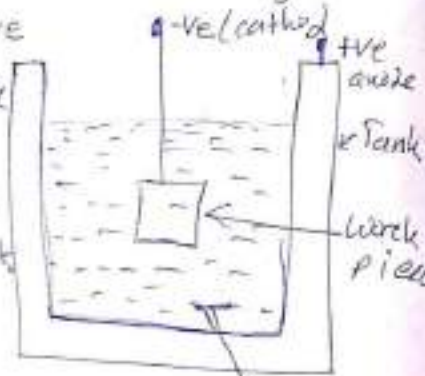
### 9) Electroforming

The production or reproduction of an article by electrodeposition is known as electroforming.

### 10) Electro-cleaning

The articles before electroplating should have a surface free from grease, oil etc. and they are cleaned by electroplating method. A solution of sodium phosphate is used as an electrolyte in the plating tank.

The tank is connected to the terminal of D.C. supply and work piece to be cleaned is made the cathode and is suspended in the solution of sodium phosphate.



This process is called cathodic sodium phosphate cleaning and is applicable to zinc and Aluminium. For anodic cleaning the work is made anode and negative supply is given to the plating tank.

## **2. ELECTRICAL HEATING**

### **INTRODUCTION**

Heat plays a major role in everyday life. All heating requirements in domestic purposes such as cooking, room heater, immersion water heaters, and electric toasters and also in industrial purposes such as welding, melting of metals, tempering, hardening, and drying can be met easily by electric heating, over the other forms of conventional heating. Heat and electricity are interchangeable. Heat also can be produced by passing the current through material to be heated. This is called electric heating; there are various methods of heating a material but electric heating is considered far superior compared to the heat produced by coal, oil, and natural gas.

### **ADVANTAGES OF ELECTRIC HEATING**

The various advantages of electric heating over other the types of heating are:

#### (i) Economical

Electric heating equipment is cheaper; they do not require much skilled persons; therefore, maintenance cost is less.

#### (ii) Cleanliness

Since dust and ash are completely eliminated in the electric heating, it keeps surroundings cleanly.

#### (iii) Pollution free

As there are no flue gases in the electric heating, atmosphere around is pollution free; no need of providing space for their exit.

#### (iv) Ease of control

In this heating, temperature can be controlled and regulated accurately either manually or automatically.

#### (v) Uniform heating

With electric heating, the substance can be heated uniformly, throughout whether it may be conducting or non-conducting material.

#### (vi) High efficiency

In non-electric heating, only 40–60% of heat is utilized but in electric heating 75–100% of heat can be successfully utilized. So, overall efficiency of electric heating is very high.

(vii) Automatic protection

Protection against over current and over heating can be provided by using fast control devices.

(viii) Heating of non-conducting materials

The heat developed in the non-conducting materials such as wood and porcelain is possible only through the electric heating.

(ix) Better working conditions

No irritating noise is produced with electric heating and also radiating losses are low.

(x) Less floor area

Due to the compactness of electric furnace, floor area required is less.

(xi) High temperature

High temperature can be obtained by the electric heating except the ability of the material to withstand the heat.

(xii) Safety

The electric heating is quite safe.

### **MODES OF TRANSFER OF HEAT**

The transmission of the heat energy from one body to another because of the temperature gradient takes place by any of the following methods:

1. conduction
2. convection
3. radiation.

#### **Conduction**

In this mode, the heat transfers from one part of substance to another part without the movement in the molecules of substance. The rate of the conduction of heat along the substance depends upon the temperature gradient.

Ex: Refractory heating, the heating of insulating materials, etc.

#### **Convection**

In this mode, the heat transfer takes place from one part to another part of substance or fluid due to the actual motion of the molecules. The rate of conduction of heat depends mainly on the difference in the fluid density at different temperatures.

Ex: Immersion water heater.

The amount of heat absorbed by the water from heater through convection depends mainly upon the temperature of heating element and also depends partly on the position of the heater.

### **Radiation**

In this mode, the heat transfers from source to the substance to be heated without heating the medium in between. It is dependent on surface.

Smartzworld.com Smartworld.asia

jntuworldupdates.org Specworld.in

Ex: Solar heaters.

### **RESISTANCE HEATING**

When the electric current is made to pass through a high-resistive body (or) substance, a power loss takes place in it, which results in the form of heat energy, i.e., resistance heating is passed upon the  $I^2R$  effect. This method of heating has wide applications such as drying, baking of potteries, commercial and domestic cooking, and the heat treatment of metals such as annealing and hardening. In oven where wire resistances are employed for heating, temperature up to about  $1,000^\circ\text{C}$  can be obtained.

The resistance heating is further classified as:

1. direct resistance heating, 2. indirect resistance heating,

#### **Direct resistance heating**

In this method, electrodes are immersed in a material or charge to be heated. The charge may be in the form of powder, pieces, or liquid. The electrodes are connected to AC or DC supply as shown in Fig. In case of DC or  $1-\phi$  AC, two electrodes are immersed and three electrodes are immersed in the charge and connected to supply in case of availability of  $3-\phi$  supply. When metal pieces are to be heated, the powder of lightly resistive is sprinkled over the surface of the charge (or) pieces to avoid direct short circuit. The current flows through the charge and heat is produced in the charge itself. So, this method has high efficiency. As the current in this case is not variable, so that automatic temperature control is not possible. This method of heating is employed in salt bath furnace and electrode boiler for heating water.

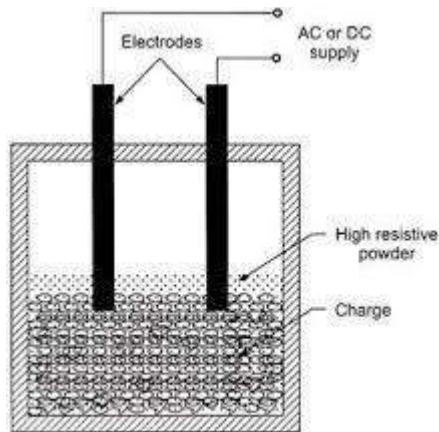


Fig. 3.1 Direct Resistance Heating

### (i) Salt bath furnace

This type of furnace consists of a bath containing some salt such as molten sodium chloride and two electrodes immersed in it.

Such salts have a fusing point of about 1,000–1,500°C depending upon the type of salt used. When the current is passed between the electrodes immersed in the salt, heat is developed and the temperature of the salt bath may be increased. Such an arrangement is known as a salt bath furnace.

In this bath, the material or job to be heated is dipped. The electrodes should be carefully immersed in the bath in such a way that the current flows through the salt and not through the job being heated. As DC will cause electrolysis, so, low-voltage AC up to 20 V and current up to 3,000 A is adopted depending upon the type of furnaces.

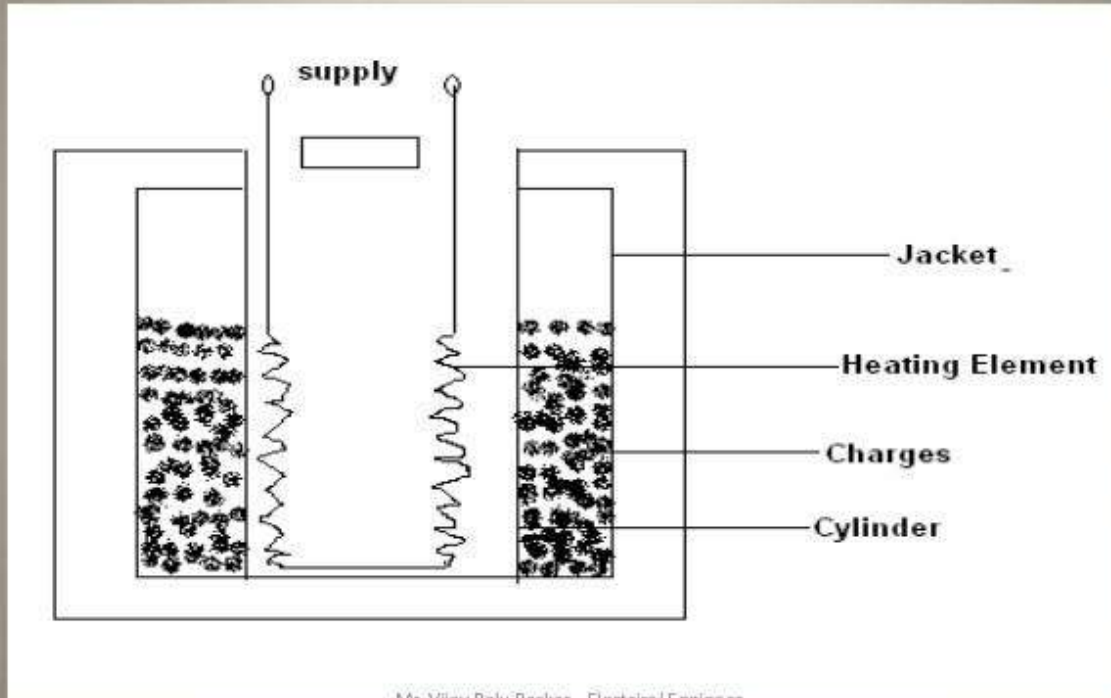
The resistance of the salt decreases with increase in the temperature of the salt, therefore, in order to maintain the constant power input, the voltage can be controlled by providing a tap changing transformer. The control of power input is also affected by varying the depth of immersion and the distance between the electrodes.

### Indirect resistance heating

In the indirect resistance heating method, high current is passed through the heating element. In case of industrial heating, sometimes the heating element is placed in a cylinder which is surrounded by the charge placed in a jacket known as a heating chamber as shown in Fig.. The heat is proportional to power loss produced in the heating element is delivered to the charge by one or more of the modes of the transfer of heat viz. conduction, convection, and radiation. This arrangement provides uniform temperature and automatic temperature control. Generally, this method of heating is used in immersion water heaters, room heaters, and the resistance ovens used in domestic and commercial cooling and salt bath furnaces.



## 2. INDIRECT RESISTANCE HEATING



Mr. Vijay Balu Raskar - Electrical Engineer

### Types of arc furnaces

There are two types of arc furnaces and they are:

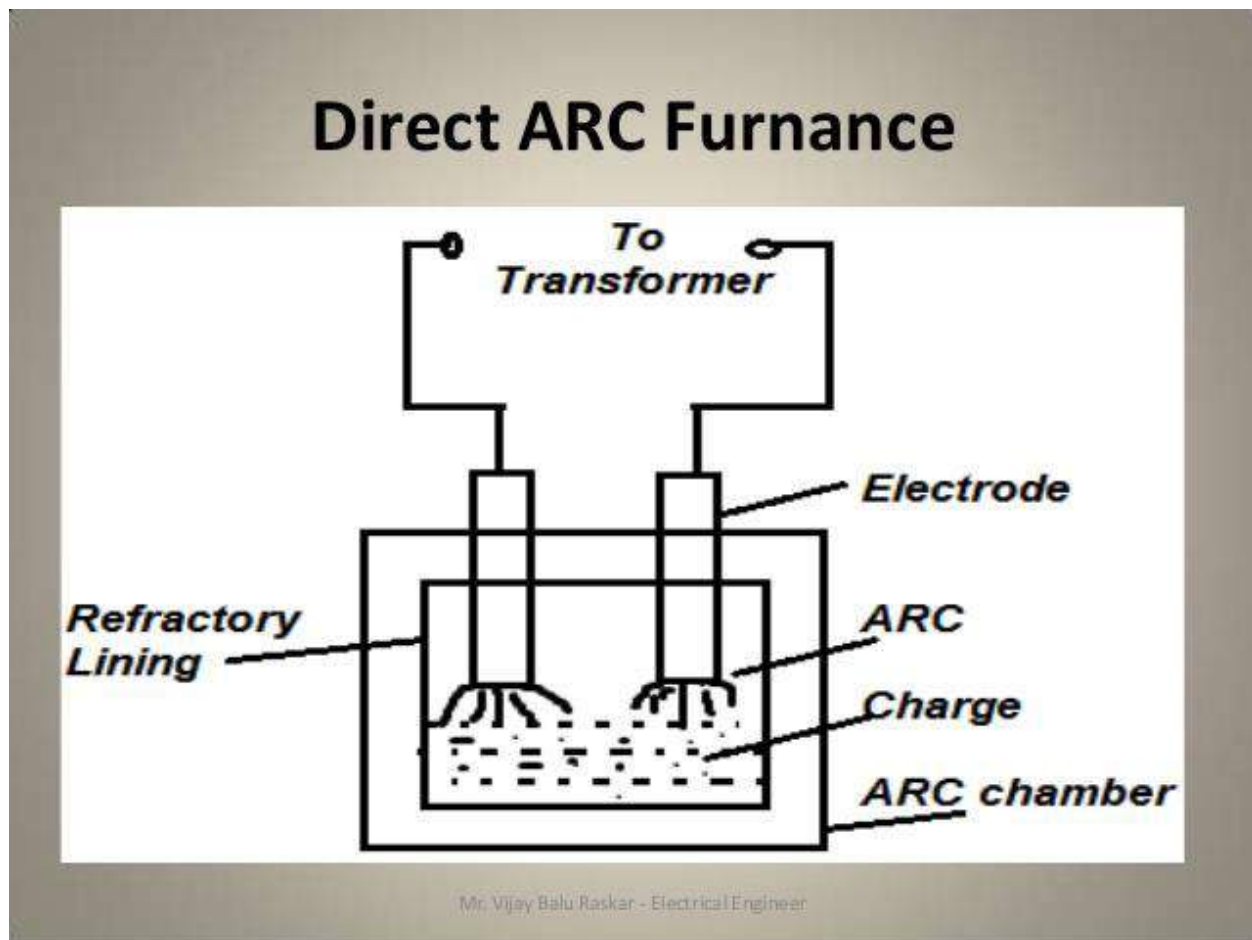
1. direct arc furnace and 2. indirect arc furnace.

#### (i) Direct arc furnace

When supply is given to the electrodes, two arcs are established and current passes through the charge, as shown in Fig. As the arc is in direct contact with the charge and heat is also produced by current flowing through the charge itself, it is known as direct arc furnace.

If the available supply is DC or 1- $\phi$ , AC, two electrodes are sufficient, if the supply is 3- $\phi$ , AC, three electrodes are placed at three vertices of an equilateral triangle. The most important feature of the direct arc furnace is that the current flows through the charge, the stirring action is inherent due to the electromagnetic force setup by the current, such furnace is used for manufacturing alloy steel and gives purer product.

It is very simple and easy to control the composition of the final product during refining process operating the power factor of arc furnace is 0.8 lagging. For 1-ton furnace, the power required is about 200 kW and the energy consumed is 1.0 MWh/ton.



### (ii) Indirect arc furnace

In indirect arc furnace, the arc strikes between two electrodes by bringing momentarily in contact and then with drawing them heat so developed, due to the striking of arc across air gap is transferred to charge is purely by radiation. A simple indirect arc furnace is shown in Fig.

These furnaces are usually 1- $\phi$  and hence their size is limited by the amount of one-phase load which can be taken from one point. There is no inherent stirring action provided in this furnace, as current does not flow through the charge and the furnace must be rocked mechanically. The electrodes are projected through this chamber at each end along the horizontal axis. This furnace is also sometimes called as rocking arc furnace. The charge in this furnace is heated not only by radiation from the arc between electrode tips but also by conduction from the heated refractory during rocking action; so, the efficiency of such furnace is high. The arc is produced

by bringing electrodes into solid contact and then withdrawing them; power input to the furnace is regulated by adjusting the arc length by moving the electrodes.

Even though it can be used in iron foundries where small quantities of iron are required frequently, the main application of this furnace is the melting of non-ferrous metals.

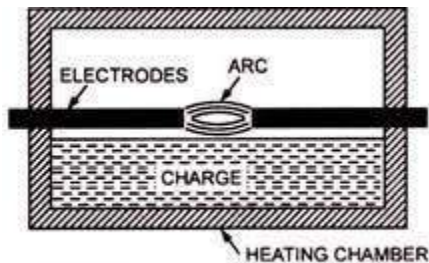


Fig. 5.5. Indirect Arc Furnace

## INDUCTION HEATING

The induction heating process makes use of the currents induced by the electromagnetic action in the material to be heated. To develop sufficient amount of heat, the resistance of the material must be low, which is possible only with the metals, and the voltage must be higher, which can be obtained by employing higher flux and higher frequency. Therefore, the magnetic materials can be heated than non-magnetic materials due to their high permeability.

In order to analyze the factors affecting induction heating, let us consider a circular disc to be heated carrying a current of 'I' amps at a frequency 'f' Hz.

Heat developed in the disc is depending upon the following factors.

Primary coil current, The number of the turns of the coil, Supply frequency, The magnetic coupling between the coil and the disc, The high electrical resistivity of the disc.

If the charge to be heated is non-magnetic, then the heat developed is due to eddy current loss, whereas if it is magnetic material, there will be hysteresis loss in addition to eddy current loss. Both hysteresis and eddy current loss are depended upon frequency, but at high-frequency hysteresis, loss is very small as compared to eddy currents.

There are basically two types of induction furnaces and they are:

1. Core type or low-frequency induction furnace.
2. Coreless type or high-frequency induction furnace.

### Core type furnace

The operating principle of the core type furnace is the electromagnetic induction. This furnace is operating just like a transformer. It is further classified as:

1. Direct core type.
2. Vertical core type.
3. Indirect core type.

### (i) Direct core type induction furnace

The core type furnace is essentially a transformer in which the charge to be heated forms single turn secondary circuit and is magnetically coupled to the primary by an iron core as shown in Fig.

The furnace consists of a circular hearth in the form of a trough, which contains the charge to be melted in the form of an annular ring. This type of furnace has the following characteristics:

This metal ring is quite large in diameter and is magnetically interlinked with primary winding, which is energized from an AC source. The magnetic coupling between primary and secondary is very weak; it results in high leakage reactance and low pf. To overcome the increase in leakage reactance, the furnace should be operated at low frequency of the order of 10 Hz. o When there is no molten metal in the hearth, the secondary becomes open circuited thereby cutting of secondary current. Hence, to start the furnace, the molten metal has to be taken in the hearth to keep the secondary as short circuit. Furnace is operating at normal frequency, which causes turbulence and severe stirring action in the molten metal to avoid this difficulty, it is also necessary to operate the furnace at low frequency. In order to obtain low-frequency supply, separate motor-generator set (or) frequency changer is to be provided, which involves the extra cost. The crucible used for the charge is of odd shape and inconvenient from the metallurgical viewpoint. o If current density exceeds about 500 A/cm<sup>2</sup>, it will produce high-electromagnetic forces in the molten metal and hence adjacent molecules repel each other, as they are in the same direction. The repulsion may cause the interruption of secondary circuit (formation of bubbles and voids); this effect is known as pinch effect.

The pinch effect is also dependent on frequency; at low frequency, this effect is negligible, and so it is necessary to operate the furnace at low frequency.

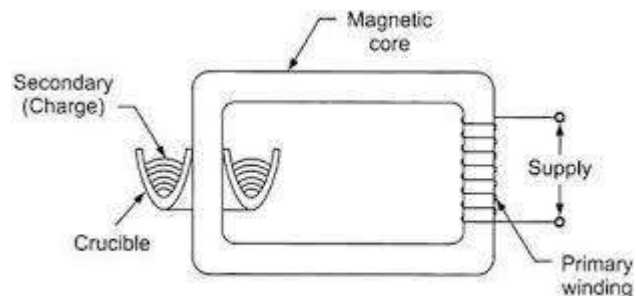


Fig. 3.12 Core type furnace

### (ii) Vertical core type induction furnace

It is an improvement over the direct core type furnace, to overcome some of the disadvantages mentioned above. This type of furnace consists of a vertical core instead of horizontal core as shown in Fig. It is also known as Ajax–Wyatt induction furnace.

Vertical core avoids the pinch effect due to the weight of the charge in the main body of the crucible. The leakage reactance is comparatively low and the power factor is high as the magnetic coupling is high compared to direct core type.

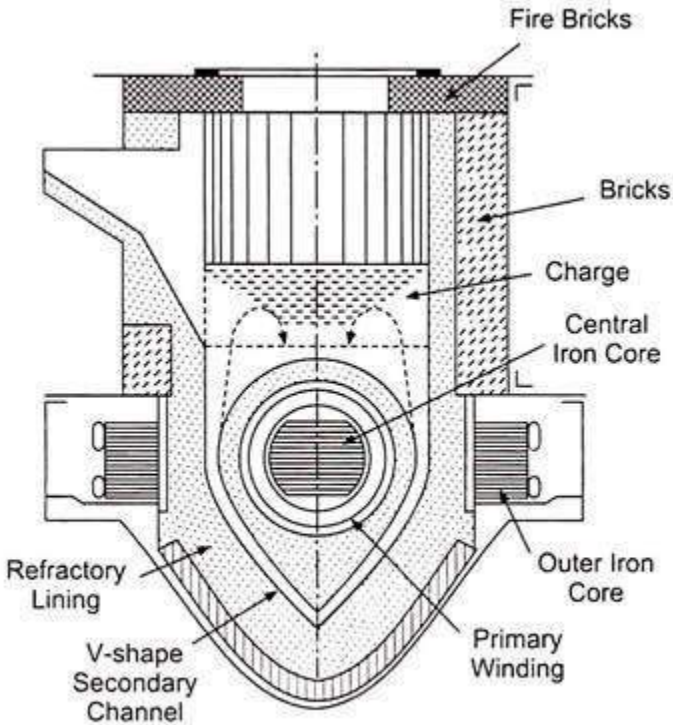
There is a tendency of molten metal to accumulate at the bottom that keeps the secondary completed for a vertical core type furnace as it consists of narrow V-shaped channel.

The inside layer of furnace is lined depending upon the type charge used. Clay lining is used for yellow brass and an alloy of magnesia and alumina is used for red brass.

The top surface of the furnace is covered with insulating material, which can be removed for admitting the charge. Necessary hydraulic arrangements are usually made for tilting the furnace to take out the molten metal. Even though it is having complicated construction, it is operating at power factor of the order of 0.8–0.83. This furnace is normally used for the melting and refining of brass and non-ferrous metals.

#### Advantages

1. Accurate temperature control and reduced metal losses.
2. Absence of crucibles.
3. Consistent performance and simple control.
4. It is operating at high power factor.
5. Pinch effect can be avoided.



**Fig. 3.13** *Ajax-Wyatt Vertical Core type Furnace*

### **(iii) Indirect core type furnace**

This type of furnace is used for providing heat treatment to metal. A simple induction furnace with the absence of core is shown in Fig.

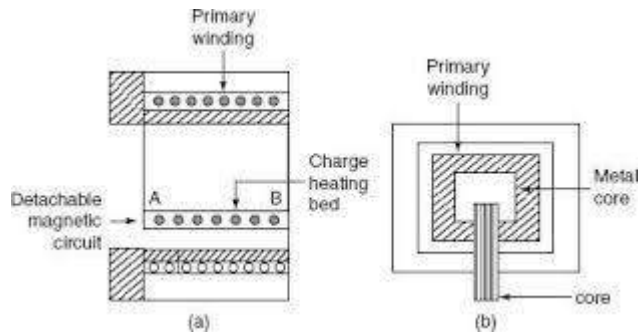
The secondary winding itself forms the walls of the container or furnace and an iron core links both primary and secondary windings.

The heat produced in the secondary winding is transmitted to the charge by radiation. An oven of this type is in direct competition with ordinary resistance oven.

It consists of a magnetic circuit AB is made up of a special alloy and is kept inside the chamber of the furnace. This magnetic circuit loses its magnetic properties at certain temperature and regains them again when it is cooled to the same temperature.

When the oven reaches to critical temperature, the reluctance of the magnetic circuit increases many times and the inductive effect decreases thereby cutting off the supply heat. Thus, the temperature of the furnace can be effectively controlled. The magnetic circuit 'AB' is detachable type that can be replaced by the other magnetic circuits having critical temperatures ranging between 400°C and 1,000°C. The furnace operates at a pf of around 0.8.

The main advantage of such furnace is wide variation of temperature control is possible.



### Coreless type induction furnace

It is a simple furnace with the absence of core as shown in Fig. 4.13. In this furnace, heat developed in the charge due to eddy currents flowing through it.

The furnace consists of a refractory or ceramic crucible cylindrical in shape enclosed within a coil that forms the primary of the transformer. The furnace also contains a conducting or nonconducting container that acts as the secondary.

If the container is made up of conducting material, the charge can be conducting or nonconducting; whereas, if the container is made up of non-conducting material, the charge taken should have conducting properties.

When primary coils are excited by an alternating source, the flux set up by these coils induces eddy currents in the charge. The direction of the resultant eddy current is in a direction opposite to the current in the primary coil. These currents heat the charge to its melting point and they also set up electromagnetic forces that produce a stirring action to the charge.

∴ The eddy currents developed in any magnetic circuit are given as:

$$W_e \propto B_m^2 f^2,$$

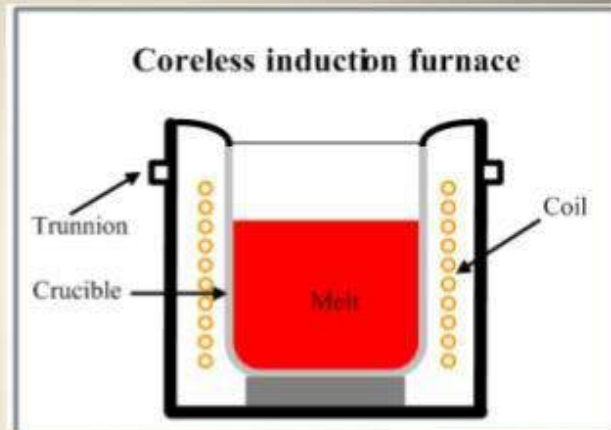
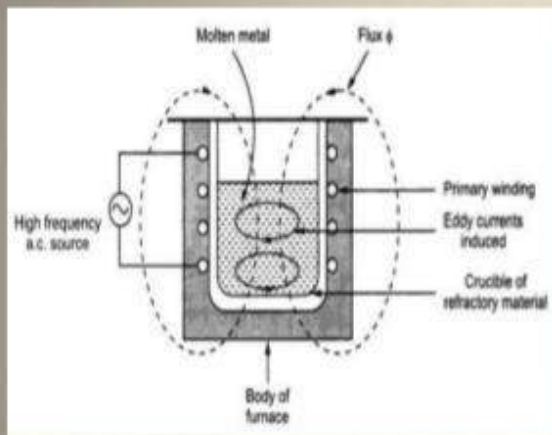
where  $B_m$  is the maximum flux density (tesla),  $f$  is the frequency in (Hz), and  $W_e$  is the eddy current loss (watts).

In a coreless furnace, the flux density will be low as there is no core. Hence, the primary supply should have high frequency for compensating the low flux density.

If it is operating at high frequency, due to the skin effect, it results in copper loss, thereby increasing the temperature of the primary winding. This necessitates artificial cooling. The coil, therefore, is made of hollow copper tube through which cold water is circulated.

Minimum stray magnetic field is maintained when designing coreless furnace, otherwise there will be considerable eddy current loss.

## CORELESS TYPE INDUCTION FURNACE

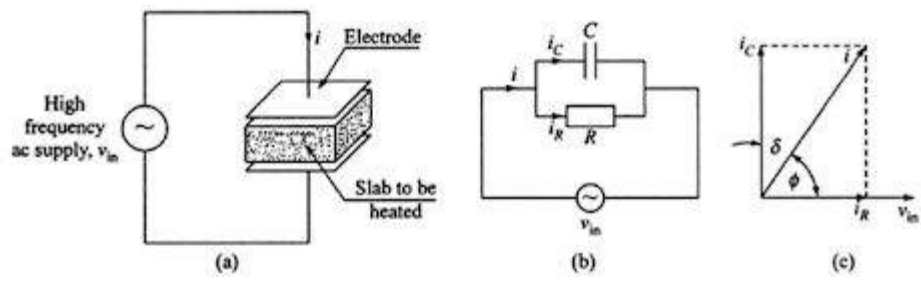


Mr. Vijay Balu Raskar - Electrical Engineer

## DIELECTRIC HEATING

When non-metallic materials i.e., insulators such as wood, plastics, and china glass are subjected to high-voltage alternating electric field, the atoms get stresses, and due to interatomic friction caused by the repeated deformation and the rotation of atomic structure (polarization), heat is produced. This is known as dielectric loss. This dielectric loss in insulators corresponds to hysteresis loss in ferro-magnetic materials. This loss is due to the reversal of magnetism or magneto molecular friction. These losses developed in a material that has to be heated.





The results in drying of glue on the cover bindings between 5-10 seconds, through dielectric heating.

→ The books can be packed and despatched without waiting for the covers to dry which cannot be done otherwise.

### • Dielectric Heating Principle

→ As has already been told that this of heating process is used only to heat non-conducting materials. The material to be heated is placed between two conducting electrodes across which alternating voltage of high frequency is applied.

→ Two electrodes, separated by a dielectric medium and across which some potential difference is applied from a capacitor. The equivalent circuit which is shown in figure.

→ The vector diagram for the same ckt is also shown separately. Since the capacitor formed as a result of above ckt may not be pure capacitor, so a resistor  $R$  is shown in parallel.

→ The resistor  $R$  is very high so that current flowing through it is very small so much so that capacitor current. It can be considered to be the same as the total current  $I$ .

$$P = \text{Power Consumed} = VI \cos \theta$$

$$I = I_C - I_R$$

but  $I_R$  is so small that it can be neglected

$$\therefore I = I_C$$

$$\therefore P = V \cdot I_C \cos \theta$$

$$I_C = \frac{V}{X_C}$$

$$X_C = \frac{1}{2\pi f C}$$

$$\therefore I_C = V \cdot 2\pi f C$$

$$\therefore P = V(V \cdot 2\pi f C) \cos \theta = V^2 2\pi f C \cos \theta$$

$$\theta = (90^\circ - \delta)$$

$$\cos \theta = \cos(90^\circ - \delta) = \sin \delta = \tan \delta \approx \delta$$

when  $\delta$  is small and it should be in radians

$$P \approx 2\pi f V^2 C \delta \text{ watts}$$

This power consumed is converted into heat. The capacitance of parallel plate capacitor is given by

$$C = \frac{k_0 k_r A}{t} \text{ farads.}$$

where  $k_0$  = Absolute permittivity of air and is equal to

$$= \frac{1}{3 \times 10^9} = 8.854 \times 10^{-12} \text{ Farads/m}$$

$k_r$  = Relative permittivity of the material to be heated.

$A$  = surface area of plates in  $m^2$

$t$  = thickness of the material to be heated in metres thus it is clear that heat produced/Power consumed.

### **The advantages of the dielectric heating**

1. The heating of the non-conducting materials is very rapid.
2. The uniform heating of material is possible.
3. Heat is produced in the whole mass of the material.

### **The applications of the dielectric heating**

The drying of paper, wood, etc.

The gluing of wood.

The heat-sealing of plastic sheets.

The heating for the general processing such as coffee roasting and chocolate industry.

The heating for the dehydration such as milk, cream, and vegetables.

The preparation of thermoplastic resins.

The heating of bones and tissues.

Diathermy, i.e., the heat treatment for certain body pains and diseases, etc.

The sterilization of absorbent cotton, bandages, etc.

The processing of rubber, synthetic materials, chemicals, etc.

$$= 2\pi/\nu c \delta$$

→ capacitance and loss angle  $\delta$  shall be constant for a particular material to be heated. Thus heating produced is proportional to square of voltage and frequency. This is why high voltage at high frequency is used for dielectric heating.

### # Microwave Heating

→ In this system electricity is converted into electromagnetic waves, which generates energy and this energy is used to cook the food. These waves are not visible but high frequency radio waves similar to those used by radio or T.V. The wavelength of these waves is very short of very high frequency also known as "microwaves".

→ In the oven, micro-waves are confined inside the oven cavity - and reflected off to its wall and doors. Once the door is opened all micro-waves are automatically switched off. These micro-waves vibrate millions of times per second (2400-2500 MHz).

→ When a microwave energy comes into contact with some substance it is reflected, transmitted or absorbed. These waves are reflected by metals, transmitted



through paper, glass, plastic etc. and absorbed by water/moisture present in the food. When this energy is absorbed, heat is produced and cooking takes place.

→ The microwaves are attracted to water but and sugar molecules. They cause these molecules to vibrate @  $\approx 2400$  MHz/sec leading to friction within the food, which generates heat which begins the cooking process.

→ The microwave heating is used in the micro-wave oven for baking purposes. The frequency used is from 900 MHz to 2400 MHz.

### Application of microwave

This type of heating is having the following application

- i) Baking - manufacture of Bread/Toast etc.
- ii) Drying - of paper and textiles
- iii) Food process/kitchen work.
- iv) Treatment of diseases like cancer, etc.
- v) Manufacture of plastic.
- vi) Processing of cement and timber etc.

### Adv of microwaves heating over conventional

#### Heating

It has many advantages as mentioned below.

- i) It has neat and clean system.
- ii) It provides uniform heating to the substance.

- ii) The system provides quick heating  
 iii) The depth of penetration of heat in to the material is much more.

### Microwave Oven

→ This oven basically converts the microwave energy in to thermal energy and supplies to the substance which is to be heated. Domestic ovens are generally of about 1 kW rating whereas the industrial ovens can be of several kilowatts rating capacity.

A microwave oven basically comprises of two blocks or chambers



### i) Microwave generator

It generates microwaves energy to be supplied to the substance to be heated.

### ii) Applicator

This is a link between microwave generator and the substance to be heated. It should be kept in mind that there should be proper impedance match between the two for maximum power transfer to the substance and that too without

### **3. PRINCIPLES OF ARC WELDING**



Without the applicator may be the following types.

- i) Multimode cavity Type
- ii) Monomode cavity Type
- iii) wave guide (hollow conducting-tube) Type

### 3rd Lecture ARC Welding —

→ An electric arc is produced by bringing two conductors connected to suitable source of electric current momentarily in contact and then separating by small distance.

→ The current continues to flow across the small gap and gives intense heat the part of work piece and the bit of metal and thus from the point.

→ The electric welding is widely used for joining the metal parts to repair fractured castings and filling by the deposition of new metal on the worn parts.

→ Arc welding is again subdivided into four groups namely,

- i) Carbon arc welding
- ii) Metal arc welding
- iii) Atomic arc welding
- iv) Helium or Argon arc welding.

## \* Principle of ARC welding

Current from a source (AC/DC) is obtained. one terminal is connected to the electrode and the other to work piece and the circuit is completed through air.

→ The gap is provided bet<sup>n</sup> the tip of the electrode and surface of work piece by keeping the electrode at a distance of about 3mm to 6mm from the interruption by the air gap an gas heat is produced and the temperature attained varies from  $3700^{\circ}\text{C}$  to  $4000^{\circ}\text{C}$ . Electrical energy is converted at the arc into heat energy.

\* Electric arc welding equipment falls into two natural sections.

### a) D.C welding Equipment

→ It consists of mainly a motor gen. set. The motor is squirrel cage induction motor.

→ Generator is differentially compounded to give drooping characteristics. In differential compound generator the terminal voltage falls automatically with increase load current.

→ If supply from existing system bus for welding then a ballast resistance is put in series with the equipment and controls obtained by variation of the

external resistance  
→ This method is also suitable when a number of operators are working on the same supply system. In such cases each operator is provided with separate ballast.

### B) AC welding Equipment

→ A transformer reduces the voltage from that of the supply down to about 100V to regulate the current and produce the drooping characteristics required. A resistance and reactance may be used.

→ When a reactance is used it must be designed to operate well below the saturation point of its magnetic circuit to prevent the introduction of harmonics which tend to lengthen the zero current period in each half cycle and allow cooling of the arc, a reactance with a air gap in the magnetic circuit is generally employed.

### Adv of DC and machine arc welding

1) a) It can select direct electrode positive also known as direct current reverse polarity (DCRP) which produces deeper penetration welds than direct current electrode negative (DCEN).

6) Electrodes made for welding copper, nickel and Aluminium are generally of DCEP (Direct current electrode positive)

2. It selects DCEN or DCEP where DCSP means direct current straight Polarity.

a) DCEN or DCSP is used for electrodes having high current deposition rates.

b) DCEN or DCEP can be used in positions other than flat,

### Adv of A.C. Arc welding machine,

1) AC welds have usually moderate penetration.

2) Normally more diameter is required to have more AC current to get more filler metal deposition rates and faster welding.

3) Less expensive than D.C arc welding machine.

\* The choice of the welding machines depends upon the type of welds and economies of welding machine purchase and also upon personal preference.



## Metallurgical arc welding

In the metallurgical arc system a metal rod is used as an electrode and the arc is struck between the electrode and work, which respectively form the two terminals A.C supply from the secondary of the welding transformer or D.C supply from the D.C welding generator depending upon whether A.C or D.C is used, is connected across the job and then electrode. Due to the heat generated by the arc, a little portion of the work melts as also the tip of the electrode.

→ The potential difference across the arc being 20-25V. & temperature  $3500^{\circ}\text{C}$  concentrated at the point of weld.

## Carbon Arc Welding

→ This method is normally used for welding copper and its alloys. The carbon electrode which is kept negative with respect to the work if D.C is used.

→ If the carbon electrodes is made the carbon particles have a tendency to go into the welded joint and cause brittleness.

→ The electrode should, therefore be kept negative and the work positive for this type of welding only. D.C can be used.

→ Two methods of carbon arc welding are used. In one method no flux is used and in the other method flux, either in the form of powder or paste is used to prevent the weld from oxidizing. The former method is limited to non-ferrous metals and the latter method is usually applied for ferrous metals.

### 3. Atomic hydrogen arc welding.

↳ Electrodes energy is supplied to an arc between two tungsten electrodes where it is transformed into heat. The source of power can be either D.C or A.C but A.C supply should be chosen because it is more commonly available.

i) Molecular hydrogen is blown through this arc and transformed catalytically into the atomic form which acts as a vehicle for transfer of energy from the arc to the work pieces.

ii) In the direction away from the arc a sudden decrease of temperature causes the rapid decrease in the concentration of atomic hydrogen and a release of the heat of recombination.

→ Thus a very intense heat is generated which is used to melt the job to be welded.

### 4) Helium or Argon Arc welding

→ This method is used for welding aluminium alloys, magnesium and magnesium alloys.

→ An Arc is struck bet<sup>n</sup> electrode of tungsten and the work and helium or argon is used oxidation of the welded joint does not take place.

→ Standard DC/AC welding equipment may be used provided the open circuit voltage is around 100 V for AC and

70V for DC

→ For welding ~~and~~ and thin alloy stainless high alloy steels, Ni alloys copper alloys upto 3/8" or 1/3 cm. AC is suitable.

#### Generation of heat :-

The heat generated by passage of an electric current, through a resistance "R" is given by

$$H = I^2 R t$$

Where R = The actual electrical resistance of the joint where the weld is to take place

I = The current in Amperes

t = time in seconds.

→ To realize the greatest heating effect the current I should be large because H varies as  $I^2$ . For this reason resistance welders utilize low voltage and high amperage.



\* The following electric resistance welding process are commonly used.

- a) Butt welding ✓
- b) Flash welding.
- c) Spot welding.
- d) Seam welding
- e) Projection Welding

a) Butt welding

→ In this process heat is generated by the contact resistance between two components. The faces of the components should be machined or edge prepared shown in fig below.

→ The two parts or components are brought together and the pressure is applied along the axial direction by a spring. A heavy current is passed from the welding transformer which

joint due to the comparatively high resistance at the contact area. The metal at the joint melts and the two parts fuse together producing a bulged point.

### Application :-

The main application of butt welding are

- i) Where the parts are joined end to end or edge to edge.
- ii) For welding pipes, wires and rods.

### B) Flash welding

This is similar to butt weld, except for the difference that in this case current is applied to the parts before they are brought together so that when they meet arcing or flashing takes place.

→ The two pieces to be joined are clamped together and the resistance to the current flows heats the contacting surface.

→ As soon as the metal has been brought to its melting temperature the current is shut off and the pieces are rapidly brought together under considerable pressure.

→ When this action takes place the squeezed molten metal gives off sparks or flash hence the name.

### Application

This method of welding is used extensively in

- Production work
- Welding rods and pipes

### c) Spot Welding

In this simplest form the spot welding machine consists of a transformer to produce high current at low voltage. Electrodes are connected to the ends of the secondary winding for leading the current to the work and to apply the necessary mechanical pressure.

- i) The Transformer
- ii) The electrodes

3) The electrical control switch.

→ In the process the material to be joined are overlapped and pressed between two water cooled electrodes and a pulse of current is passed through the assembly.

→ The metals in the zone of pressure gets heated upto fusion and joint thus made gets under pressure.

→ Welding current the time for which the current flows and the pressure between the electrode tips.

### Application

- 1) It is applied to welding of sheets
- 2) It is used for fabricating all types of sheets metal structures where mech strength or air tightness is required rather than water tightness.
- 3) It may be applied to all type of boxes, cases and enclosing cases etc.

### d) Seam Welding

→ It is similar to spot welding except that series of spots are produced by roller electrodes instead of tipped electrodes. Most seam welding produces a continuous or intermittent seam weld near the edge of two overlapped metals by using two roller electrodes.

→ As the rollers travel over the metal the pieces are under pressure and the current passing between them heats the two pieces of the metal to the fusion point.

→ This might be called a seam spot weld method. The spaces can be timed to over lap or timed to have spaces between the spots. The main object of the overlapped spots is to produce gas and liquid leak-proof lap joints.

→ If the current to the electrodes is turned off and on a series of overlapping spots form the seam. An uninterrupted flow of current to the electrodes will form continuous seam as shown in figures.

→

is

is

seam

at

pipe

elec

pla

for

APF

→ It

weld

ii) 1

or

iii) If

high

press

type

can

read

read

e. P.

weld

of

sheet

metal



→ Another form of seam welding is called Butt seam welding. This technique is often used to Butt weld a longitudinal seam in pipe. The two rollers are mounted at an angle and as they press on the pipe edges are forced together and the electric current brings the metal to the plastic molten condition and fusion takes place.

### Applications

- i) It is used for making lap and butt welds.
- ii) It is quicker than spot welding operation.
- iii) It is used on many types of pressure tight or leak proof tank or various purposes and a number of other products type such as rectangular containers can body sections transformers radiation units.

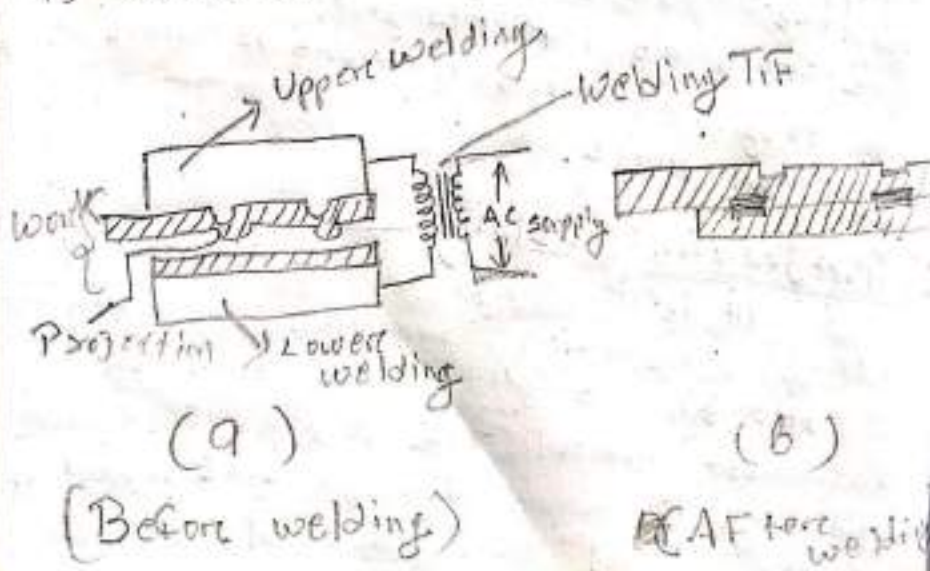
### e. Projection Welding

It is modified form of spot welding projection welding consists of forming slight projection on the sheet of metal. The projections are accurately formed in precise location on the metal by a special set of

→ After the projection are formed the raised portions on one piece are passed into contact with another piece while at the same time a heavy current is passed through the two pieces.

→ When these raised portions touch the second sheet of steel, as they are clamped by the electrodes in a projection welder and the current is applied, current flows at the points, heats and fuses the two pieces together, projection welding has following advantages over spot welding.

→ more than one spot or weld are done at a time. therefore more output is obtained.





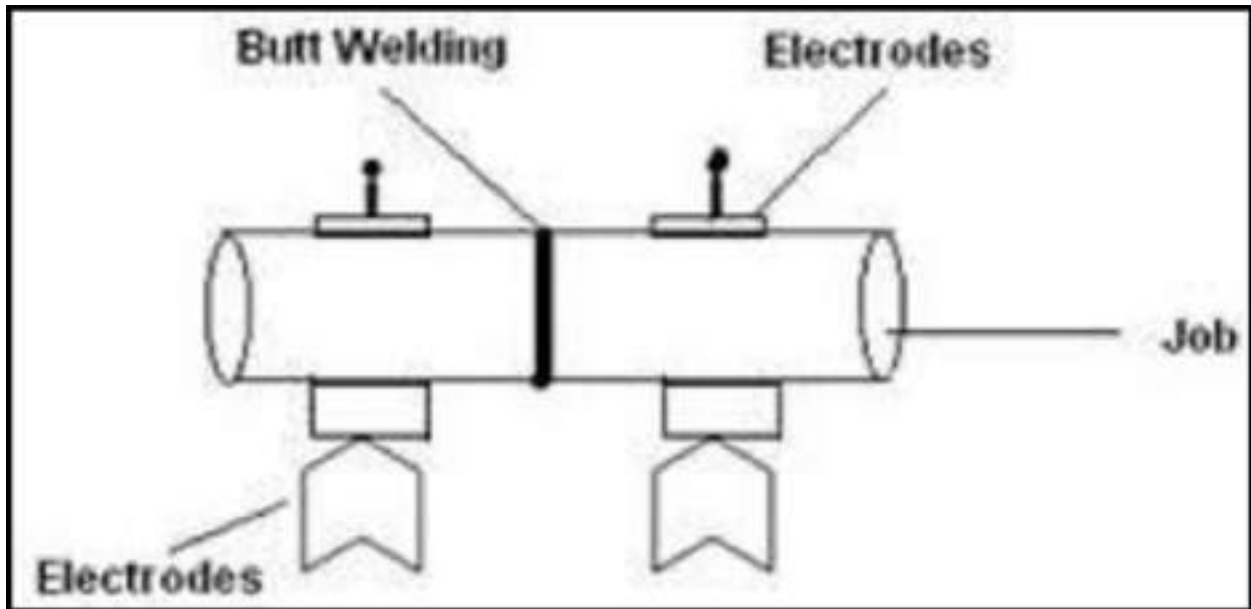
i) Due to low current density and low pressure the electrode life is increased.

ii) Good finished appearance is obtained because surface remains unindented by the electrodes.

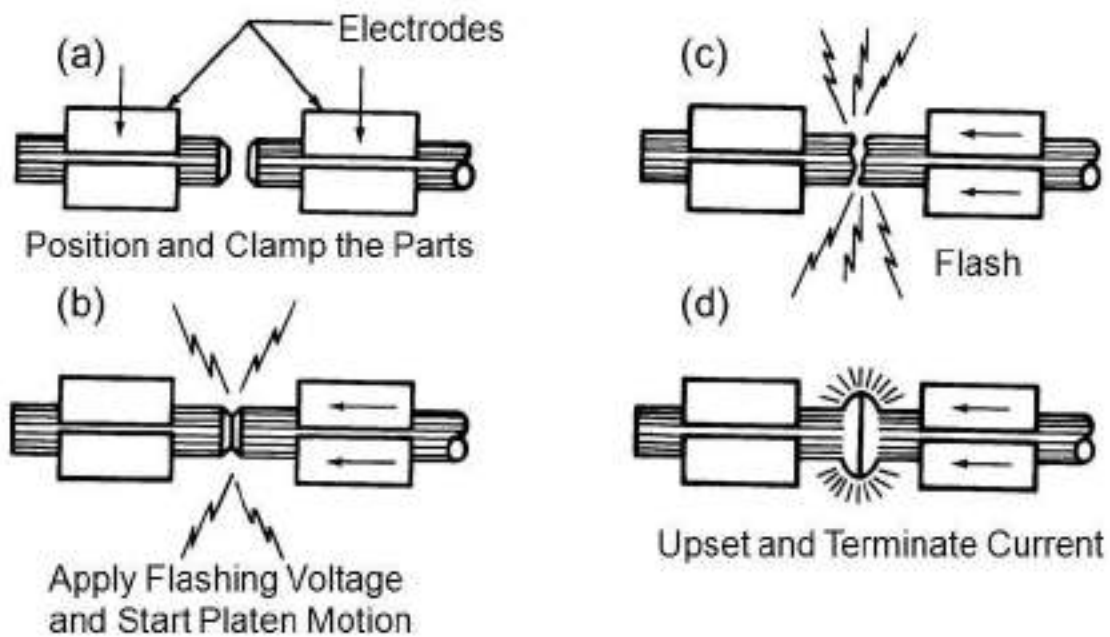
iii) It locates the welds automatically at certain desired points by the position of projections.

### Application

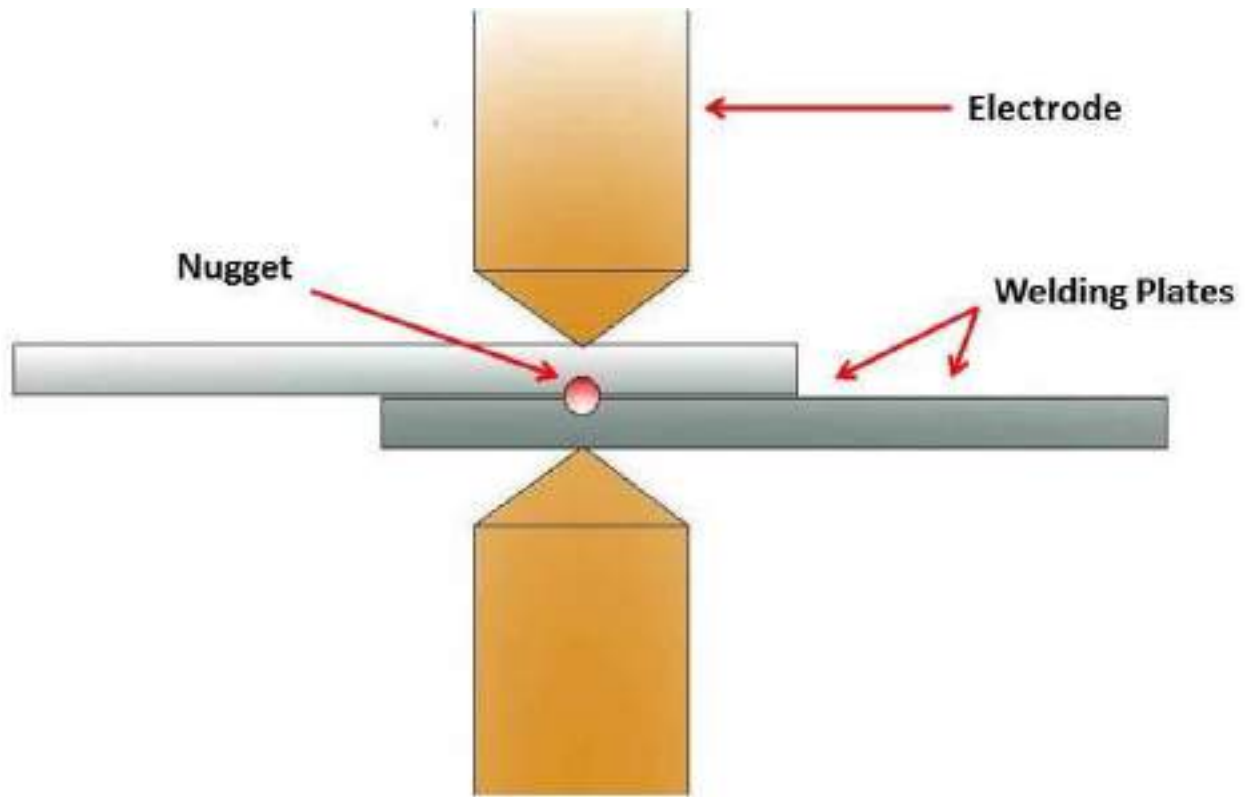
It is advantageous in assembling parts made by punching or stamping and force welding studs nuts to plates.



## Basic Steps in Flash Welding



[Reference: Welding Handbook, Volume 2, p.583, AWS]



## Spot Welding

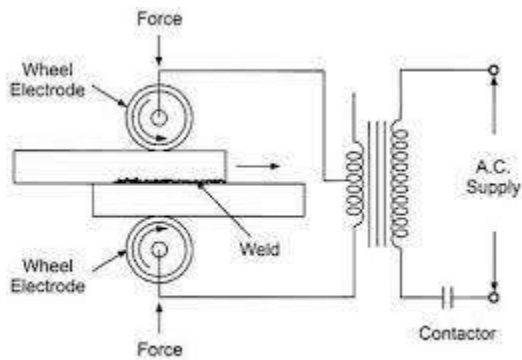
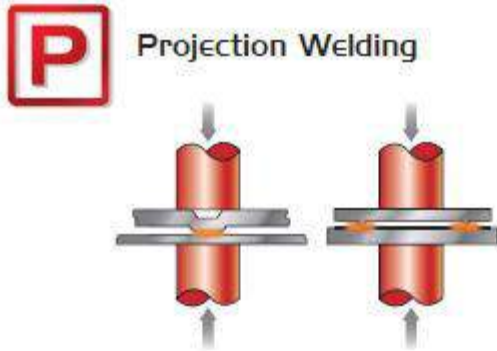


Fig. 4.7 Principle of Seam Welding



## COMPARISON BETWEEN AC and DC WELDING

AC welding	DC welding
<ul style="list-style-type: none"> <li>• Equipment is cheaper and simpler.</li> <li>• In AC transformer there is no moving part, therefore it is easy to maintain.</li> <li>• It can be operated at large distances from power sources as the voltage drop is negligible.</li> <li>• Only coated electrodes can be used in AC welding.</li> <li>• Less problem in arc blow.</li> <li>• It cannot be used for welding non-ferrous materials.</li> <li>• It can be used only when AC current is available.</li> </ul>	<ul style="list-style-type: none"> <li>• Equipment is costlier and complicated.</li> <li>• DC generator set has many parts moving and its maintenance cost is higher than AC transformer.</li> <li>• In DC the voltage drop is very high. Therefore shorter cables are used.</li> <li>• Both coated and bare electrodes can be used.</li> <li>• More problem in arc blow.</li> <li>• Almost all the metals can be welded.</li> <li>• An engine generator can be used in case of non-availability of AC power.</li> </ul>

## 4. ILLUMINATION

### INTRODUCTION

Study of illumination engineering is necessary not only to understand the principles of light control as applied to interior lighting design such as domestic and factory lighting but also to understand outdoor applications such as highway lighting and flood lighting. Nowadays, the electrically produced light is preferred to the other source of illumination because of an account of its cleanliness, ease of control, steady light output, low cost, and reliability. The best illumination is that it produces no strain on the eyes. Apart from its esthetic and decorative aspects, good lighting has a strictly utilitarian value in reducing the fatigue of the workers, protecting their health, increasing production, etc. The science of illumination engineering is therefore becoming of major importance.

## **Nature of light**

Light is a form of electromagnetic energy radiated from a body and human eye is capable of receiving it. Light is a prime factor in the human life as all activities of human being ultimately depend upon the light.

Various forms of incandescent bodies are the sources of light and the light emitted by such bodies depends upon their temperature. A hot body about 500–800°C becomes a red hot and about 2,500–3,000°C the body becomes white hot. While the body is redhot, the wavelength of the radiated energy will be sufficiently large and the energy available in the form of heat. Further, the temperature increases, the body changes from red-hot to white-hot state, the wavelength of the radiated energy becomes smaller and enters into the range of the wavelength of light. The wavelength of the light waves varying from 0.0004 to 0.00075 mm, i.e. 4,000-7,500 Å (1 Angstrom unit =  $10^{-10}$  mm).

The eye discriminates between different wavelengths in this range by the sensation of color. The whole of the energy radiated out is not useful for illumination purpose. Radiations of very short wavelength varying from  $0.0000156 \times 10^{-6}$  m to  $0.001 \times 10^{-6}$  m are not in the visible range are called as rontgen or x-rays, which are having the property of penetrating through opaque bodies.

## **TERMS USED IN ILLUMINATION**

# ILLUMINATION

Light : cause  $\therefore$  Illumination : Effect.

## Terms used in Illumination

### Flux

- Luminous Flux
- Quantity of light energy radiated per second from a luminous body.
- $\Phi$  or  $\phi$  denoted by.
- Rate of luminous energy
- if, o/p source light =  $Q$  lumen hour
- energy radiated time =  $t$  hour.

$$\text{then, } = \frac{Q}{t} = \frac{\text{lumen hour}}{\text{hour}}$$

$$\boxed{\text{Flux} = \frac{Q}{t} \text{ lumen}}$$

### Luminous efficiency or Radiant efficiency

→ It is defined as the o/p in lumens per watt of the power consumed by the source of light.

→ It measured in lumens per watt

### Solid angle

→ Solid angle is the angle generated by the line passing through the point. is sphere and the periphery of the area

$$\boxed{\omega = \frac{\text{Area } a}{\text{Radius}^2} \text{ steradians}}$$

### \* Luminous Intensity

→ Luminous Intensity in any particular direction is the luminous flux emitted by per unit solid angle by a point source

→ It is denoted by 'I'

$$I = \frac{F}{\omega} = \frac{\phi}{\omega} \text{ candla} \quad \frac{\text{lumens}}{\text{steradian}} = \text{candla}$$

→ Unit is 'candla'

### \* Lumen

→ Lumen is defined as the amount of lumens flux given out a space represents by 1 unit of solid angle by a source having an intensity of 1 candla power in all direction.

$$\text{Lumen} = \text{Candle power} \times \text{Solid angle}$$

### \* Illumination

→ When the light falls on any surface the phenomenon is called Illumination.

→ It is defined as the no. of lumens falling on the surface per unit area.

→ It denoted by 'E'

→ It measured in lumens per square m or 'lux' or 'meter candla'.

$$E = \frac{\phi}{\text{Area}^2}$$



### Mean spherical candle power (M.S.C.P.)

It is defined as the avg of candle power in all direction  $\&$  in all plane from the source of light

$$\text{M.S.C.P.} = \frac{\text{Total Flux in lumen}}{4\pi}$$

### Mean Hemi-spherical candle power (M.H.S.C.P.)

It is defined as the avg of candle power in all direction above or below the horizontal plane passing through the source of light.

### Mean Horizontal candle power (M.H.C.P.)

It is avg of all the candle power in all direction in the horizontal plane containing the source of light.

### Depreciation Factor

It is the ratio of illumination under everything is perfectly clean to the illuminant under normal working condition

$$\text{D.F.} = \frac{\text{Illumination under everything is clean}}{\text{Illumination under working condition}}$$

$\rightarrow$  It's value ~~not~~ more than 1.

## Maintenance factor

→ It is the reverse of the depreciation factor

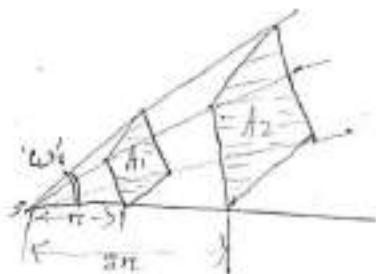
→ Its value is less than 1

~~low~~

## Laws of Illumination

### First law / Inverse square law

According to this law, the illumination of a surface is inversely proportional to the square of distance bet<sup>n</sup> the source and surface provided that the distance between the surface and the source is sufficiently large so that the source can be regarded as a point source.



• Consider a point source S having an intensity I lumens/steradian.

• Let two surfaces having areas  $A_1$  &  $A_2$  placed at distance  $r_1$  m and  $r_2$  m away respectively from the source.

• The two surfaces are enclosed in the same solid angle ' $\omega$ '

Since the source gives  $I$  lumens per steradian, any surface enclosed by solid angle  $\omega$  will receive a total flux  $= I \times \omega$  lumens.

$$\begin{aligned} \text{Total flux} &= I \times \omega \frac{\text{lumens}}{\text{steradian}} \times \text{steradian} \\ &= I \omega \text{ lumens.} \end{aligned}$$

Thus, flux on area,  $A_1 = I \cdot \omega$  lumens.

Solid angle

$$= \frac{\text{Area}}{(\text{Distance})^2} = \frac{A_1}{r^2} \text{ steradian}$$

Total flux on surface area  $A_1$

$$I \omega = \frac{I \cdot A_1}{r^2}$$

Illumination  $E_1$  on surface  $A_1$

$$\begin{aligned} \frac{\text{lumens}}{(\text{meter})^2} &= \frac{\text{flux}}{\text{area}} = \frac{I A_1}{r^2} \times \frac{1}{A_1} = \frac{I}{r^2} \\ &\Rightarrow \boxed{I/r^2 \text{ lux}} \end{aligned}$$

The flux area  $A_2 = I \omega$  lumens

Solid angle

$$= \frac{\text{Area}}{(\text{Distance})^2} = \frac{A_2}{(2r)^2} \text{ steradian.}$$

Total flux on surface area  $A_2$

$$\Phi = \frac{I A_2}{(2r)^2} \text{ lumens} \quad \therefore (\Phi = I \omega)$$

Illumination  $E_2$  on surface  $A_2$

$$= \frac{\text{lumens}}{(\text{metre})^2} = \frac{\text{Flux}}{\text{area}} = \frac{I A_1}{(2r)^2} \times \frac{1}{A_2} = \frac{I}{(2r)^2}$$

$$\Rightarrow \frac{I}{(2r)^2} \text{ lux} \dots \text{iv}$$

$$\therefore \frac{E_1}{E_2} = \frac{I/r^2}{I/(2r)^2} = \frac{I}{r^2} \times \frac{2r^2}{I} = \frac{(2r)^2}{r^2}$$

$$\therefore \frac{E_1}{E_2} = \frac{(2r)^2}{r^2}$$

So, it is proved that Illumination at a surface is inversely proportional to the square of its distance from the surface.

ii) Lambert's cosine law

According to this law Illumination of a surface varies directly as the cosine of the angle between the normal to the surface & direction of incident light.

$$\text{i.e. } E \propto \cos \theta$$

i) In the normal surface case.

[The normal to the surface makes an angle to the flux axis

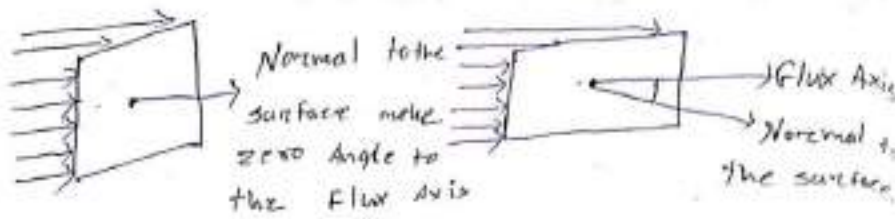
$$E = \frac{\phi}{\text{Area}}$$

$$\therefore \theta = 0 \\ \cos \theta = \cos 0 = 1$$

ii) In the inclined surface case.

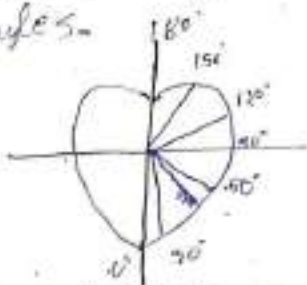
[The flux axis makes angle  $\theta$  with the normal to the surface]

$$E = \frac{\phi}{\text{Area}} \cos \theta$$

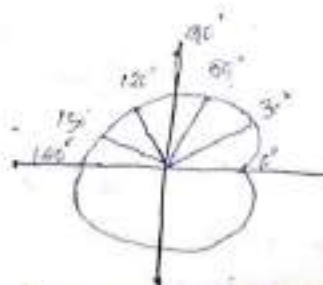


## Polar Curve

- The luminous intensity or candle power of any practical lamp is not uniform in all directions due to its un-symmetrical shape.
- The distribution of light is given by polar curves.
- A radial ordinate pointing in any particular direction on a polar curve represent the luminous intensity of the source when viewed from that direction.
- If the luminous intensity is measured in a horizontal plane about a vertical axis.
- Curve is plotted between candle power and the angular position a horizontal polar curve is obtained.
- Similarly, vertical polar curve gives the relationship of candle power in vertical plane passing through the lamp at various angles.



(Vertical polar curve)



(Horizontal polar curve)



## **INCANDESCENT LAMP**

These lamps are temperature-dependent sources. When electric current is made to flow through a fine metallic wire, which is known as filament, its temperature increases. At low temperatures, it emits only heat energy, but at very high temperature, the metallic wire emits both heat and light energy. These incandescent lamps are also known as temperature radiators.

### **Choice of material for filament**

The materials commonly used as filament for incandescent lamps are carbon, tantalum, tungsten, and osmium.

The materials used for the filament of the incandescent lamp have the following properties.

- 1.The melting point of the filament material should be high.
- 2.The temperature coefficient of the material should be low.
- 3.It should be high resistive material.
- 4.The material should possess good mechanical strength to withstand vibrations.
- 5.The material should be ductile.

### **Tungsten**

- 1.The working temperature of tungsten is 2,500–3,000°C.
- 2.Its resistance at working temperature is about 12–15 times the cold resistance.
- 3.It has positive temperature coefficient of resistance of 0.0045.
- 4.Its resistivity is 5.6  $12.5 \mu\Omega\text{-cm}$ .
- 5.The density of tungsten is 19.3.
- 6.The efficiency of tantalum when working at 2,000°C is 18 lumens/W.
- 7.Its vapor pressure is low when compared to carbon.

In fact, the carbon lamp is the first lamp introduced by Thomas Alva Edison in 1879, owing to two drawbacks, tungsten radiates more energy in visible spectrum and somewhat less in infrared spectrum so that there was a switch over in infrared spectrum so that there was a switch over from carbon filament to tungsten filament. Nowadays, tungsten filament lamps are widely used incandescent lamps.

The chemically pure tungsten is very strong and fragile. In order to make it into ductile, tungsten oxide is first reduced in the form of gray powder in the atmosphere of hydrogen and this powder is pressed in steel mold for small bars; the mechanical strength of these bars can

be improved by heating them to their melting point and then hammered at red-hot position and rerolled into wires.

### Construction

Figure shows the construction of the pure tungsten filament incandescent lamp. It consists of an evacuated glass bulb and an aluminum or brass cap is provided with two pins to insert the bulb into the socket. The inner side of the bulb consists of a tungsten filament and the support wires are made of molybdenum to hold the filament in proper position. A glass button is provided in which the support wires are inserted. A stem tube forms an air-tight seal around the filament whenever the glass is melted.

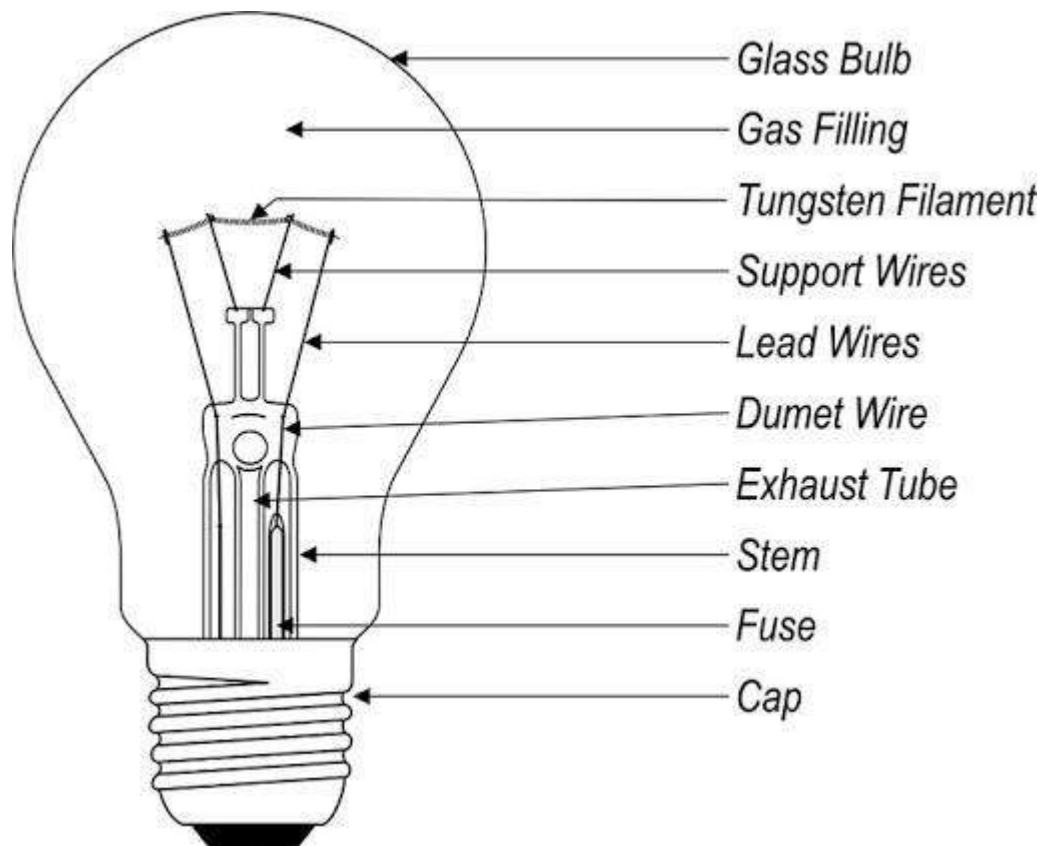


Fig. Incandescent lamp

### Operation

When electric current is made to flow through the fine metallic tungsten filament, its temperature increases. At very high temperature, the filament emits both heat and light



radiations, which fall in the visible region. The maximum temperature at which the filament can be worked without oxidization is  $2,000^{\circ}\text{C}$ , i.e., beyond this temperature, the tungsten filament blackens the inside of the bulb. The tungsten filament lamps can be operated efficiently beyond  $2,000^{\circ}\text{C}$ , it can be attained by inserting a small quantity of inert gas nitrogen with small quantity of organ. But if gas is inserted instead of vacuum in the inner side of the bulb, the heat of the lamp is conducted away and it reduces the efficiency of the lamp. To reduce this loss of heat by conduction and convection, as far as possible, the filament should be so wound that it takes very little space. This is achieved by using a single-coil filament instead of a straight wire filament as shown in Fig. This single-coil filament is used in vacuum bulbs up to 25 W and gas filled bulbs from 300 to 1,000 W.



**Fig. 2.16** *Differt types of filament*

On further development of the incandescent lamps, the shortening of the length of the filament was achieved by adopting a coiled coil or a double coil filament as shown in Fig. 7.4(b). The use of coiled coil filament not only improves the efficiency of the lamp but also reduces the number of filament supports and thus simplified interior construction because the double coil reduces the filament mounting length in the ratio of 1:25 as compared to the straight wire filaments.

Usually, the tungsten filament lamp suffers from 'aging effect', the output of the light an incandescent lamp decreases as the lamp ages. The output of the light of the lamp decreases due to two reasons.

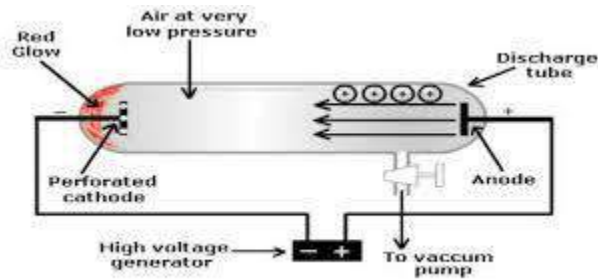
1. At very high temperature, the vaporization of filament decreases the coil diameter so that resistance of the filament increases and hence its draws less current from the supply, so the temperature of the filament and the light output of the bulb decrease.
2. The current drawn from the mains and the power consumed by the filament decrease, which decrease the efficiency of the lamp with the passage of time. In addition, the evaporation of the filament at high temperature blackens the inside of the bulb

## **DISCHARGE LAMPS**

Discharge lamps have been developed to overcome the drawbacks of the incandescent lamp. The main principle of the operation of light in a gaseous discharge lamp is illustrated as below.

In all discharge lamps, an electric current is made to pass through a gas or vapor, which produces its illuminance. Normally, at high pressures and atmospheric conditions, all the gases are poor conductors of electricity. But on application of sufficient voltage across the two electrodes, these ionized gases produce electromagnetic radiation. In the process of producing

light by gaseous conduction, the most commonly used elements are neon, sodium, and mercury. The wavelength of the electromagnetic radiation depends upon the nature of gas and the gaseous pressure used inside the lamp. A simple discharge lamp is shown in Fig.



The production of light in the gaseous discharge lamps is based on the phenomenon of excitation and ionization of gas or metal vapor present between the two electrodes of a discharge tube.

When the potential between the two electrodes is equal to ionizing potential, gas or metal vapor starts ionizing and an arc is established between the two electrodes. Volt-ampere characteristics of the arc is negative, i.e., gaseous discharge lamp possess a negative resistance characteristics. A choke or ballast is provided to limit high currents to a safe value. Here, the choke serves two functions.

1. It provides ignition voltage initially.
2. Limits high currents.

The use of choke will reduce the power factor (0.3–0.4) of all the gaseous lamps so that all the discharge lamps should be provided with a condenser to improve the power factor. The nature of the gas and vapor used in the lamp will affect the color affected of light.

### **NEON DISCHARGE LAMP**

This is a cold cathode lamp, in which no filament is used to heat the electrode for starting.

Neon lamp consists of two electrodes placed at the two ends of a long discharge tube is shown in Fig.

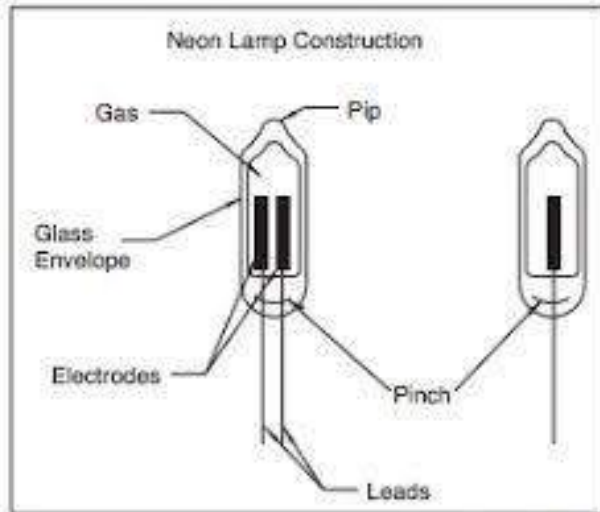


Figure 1

The discharge tube is filled with neon gas. A low voltage of 150 V on DC or 110 V on AC is impressed across the two electrodes; the discharge takes place through the neon gas that emits light or electro magnetic radiation reddish in color. The sizes of electrodes used are equal for both AC and DC supplies. On DC, neon glow appear nearer to the negative electrode; therefore, the negative electrode is made larger in size. Neon lamp electric circuit consists of a transformer with high leakage reactance in order to stabilize the arc. Capacitor is used to improve the power factor. Neon lamp efficiency is approximately 15–40 lumens/W. The power consumption of the neon lamp is 5 W.

If the helium gas is used instead of neon, pinkish white light is obtained. These lamps are used as night lamps and as indicator lamps and used for the determination of the polarity of DC mains and for advertising purpose.

### SODIUM VAPOR LAMP

A sodium vapor lamp is a cold cathode and low-pressure lamp. A sodium vapor discharge lamp consists of a U-shaped tube enclosed in a double-walled vacuum flask, to keep the temperature of the tube within the working region. The inner U-tube consists of two oxide-coated electrodes, which are sealed with the ends. These electrodes are connected to a pin type base construction of sodium vapor lamp is shown in Fig.

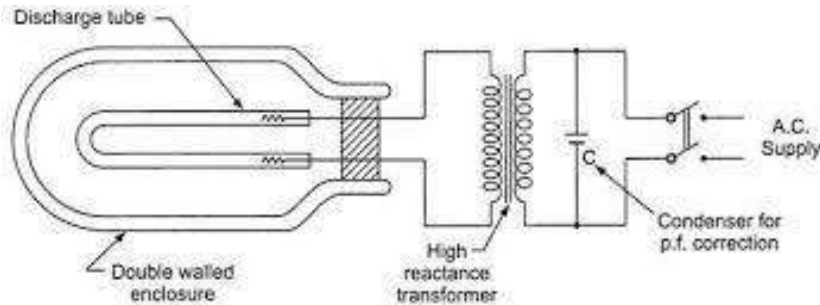


Fig. 7 Sodium vapour lamp

This sodium vapor lamp is low luminosity lamp, so that the length of the lamp should be more. In order to get the desired length, it is made in the form of a U-shaped tube. This long tube consists of a small amount of neon gas and metallic sodium. At the time of start, the neon gas vaporizes and develops sufficient heat to vaporize metallic sodium in the U-shaped tube.

### Working

Initially, the sodium is in the form of a solid, deposited on the walls of inner tube. When sufficient voltage is impressed across the electrodes, the discharge starts in the inert gas, i.e., neon; it operates as a low-pressure neon lamp with pink color. The temperature of the lamp increases gradually and the metallic sodium vaporizes and then ionizes thereby producing the monochromatic yellow light. This lamp takes 10–15 min to give its full light output. The yellowish output of the lamp makes the object appears gray.

In order to start the lamp, 380 – 450 V of striking voltage required for 40- and 100-W lamps. These voltages can be obtained from a high reactance transformer or an auto transformer. The operating power factor of the lamp is very poor, so that a capacitor is placed to improve the power factor to above 0.8. More care should be taken while replacing the inner tube, if it is broken, then sodium comes in contact with the moisture; therefore, fire will result. The lamp must be operated horizontally or nearly so, to spread out the sodium well along the tube.

The efficiency of sodium vapor lamp is lies between 40 and 50 lumens/W. Normally, these lamps are manufactured in 45-, 60-, 85- and 140-W ratings. The normal operating temperatures of these lamps are 300°C. In general, the average life of the sodium vapor lamp is 3,000 hr and such bulbs are not affected by voltage variations.

Following are the causes of failure to operate the lamp, when:

1. The cathode fails to emit the electrons.
2. The filament breaks or burns out.
3. All the particles of sodium are concentrated on one side of the inner tube.
4. The life of the lamp increases due to aging.

The average light output of the lamp is reduced by 15% due to aging. These lamps are mainly used for highway and street lighting, parks, railway yards, general outdoor lighting, etc.

### **HIGH-PRESSURE MERCURY VAPOR LAMP**

The working of the mercury vapor discharge lamp mainly depends upon the pressure, voltage, temperature, and other characteristics that influence the spectral quality and the efficiency of the lamp.

Generally used high-pressure mercury vapor lamps are of three types. They are:

1. MA type: Preferred for 250- and 400-W rating bulbs on 200–250-V AC supply.
2. MAT type: Preferred for 300- and 500-W rating bulbs on 200–250-V AC supply.
3. MB type: Preferred for 80- and 125-W rating bulbs and they are working at very high pressures.

#### **MA type lamp**

It is a high-pressure mercury vapor discharge lamp that is similar to the construction of sodium vapor lamp. MA type lamp consists of a long discharge tube in 'U' shape and is made up of hard glass or quartz. This discharge tube is enclosed in an outer tube of ordinary glass. To prevent the heat loss from the inner bulb, by convection, the gap between the two tubes is completely evacuated. The inner tube contains two main electrodes and an auxiliary starting electrode, which is connected through a high resistance of about 50 k $\Omega$ . It also contains a small quantity of argon gas and mercury. The two main electrodes are tungsten coils coated with electron emitting material (such as thorium metal).

#### **Working**

Initially, the tube is cold and hence the mercury is in condensed form. Initially, when supply is given to the lamp, argon gas present between the main and the auxiliary electrodes gets ionized, and an arc is established, and then discharge takes place through argon for few minutes between the main and the auxiliary electrodes. As a result, discharge takes place through argon for few minutes in between the main and the auxiliary electrodes. The discharge can be controlled by using high resistance that is inserted in-series with the auxiliary electrode. After few minutes, the argon gas, as a whole, gets ionized between the two main electrodes. Hence, the discharge shifts from the auxiliary electrode to the two main electrodes. During the discharge process, heat is produced and this heat is sufficient to vaporize the mercury. As a result, the pressure inside the discharge tube becomes high and the voltage drop across the two main electrodes will increase from 20 to 150 V. After 5–7 min, the lamp starts and gives its full output.

#### **MAT type lamp**

This is another type of mercury vapor lamp that is manufactured in 300 and 500 W rating for use on AC as well as DC supplies. The construction of the MAT type lamp is similar to the MA type lamp except the outer tube being empty; it consists of tungsten filament so that at the time of starting, it works as a tungsten filament lamp. Here, the filament itself acts as a choke or ballast to limit the high currents to safer value.

When the supply is switched on, it works as a tungsten filament lamp, its full output is given by the outer tube. At this time, the temperature of the inner discharge tube increases gradually, the argon gas present in it starts ionizing in the discharge tube at any particular temperature is attained then thermal switch gets opened, and the part of the filament is detached and voltage across the discharge tube increases. Now, the discharge takes place through the mercury vapor. Useful color effect can be obtained by this lamp. This is because of the combination of light emitted from the filament and blue radiations from the discharge tube. In this type of lamp, capacitor is not required since the overall power factor of the lamp is 0.95; this is because the filament itself acts as resistance. Fig. shows the construction of MAT type lamp. Initially, the discharge through the argon is pale blue glow and the discharge through the mercury vapors is greenish blue light; here, choke is provided to limit high currents and capacitor is to improve the power factor of the lamp.

If the supply is interrupted, the lamp must cool down and the vapor pressure be reduced before it will start. It takes approximately 3 – 4 min. The operating temperature of the inner discharge tube is about 600°C. The efficiency of this type of lamp is 30–40 lumens/W. These lamps are manufactured in 250 and 400 W ratings for use on 200–250 V on AC supply.

Generally, the MA type lamps are used for general industrial lighting, ports, shopping centers, railway yards, etc.

### **MB type lamp**

The MB type lamp is also similar to the MA type lamp. The inner discharge tube for the MB type lamp is about 5 -cm long and is made up of quartz material. It has three electrodes; two main and one auxiliary electrodes. There are three electrodes present in the MB type lamp, namely two main electrodes and one auxiliary electrode. Relatively, very high pressure is maintained inside the discharge tube and it is about 5–10 times greater than atmospheric pressure. The outer tube is made with pearl glass material so as to withstand high temperatures. We can use these tubes in any position, because they are made up of special glass material.

The working principle of the MB type lamp is similar to the MA type lamp. These lamps are manufactured in 300 and 500 W rating for use in AC as well as DC supplies. An MB type lamp consists a bayonet cap with three pins, so it may not be used in an ordinary sense. A choke coil and a capacitor are necessary for working with these types of lamps.

### **FLUORESCENT LAMP**

Fluorescent lamp is a hot cathode low-pressure mercury vapor lamp; the construction and working of the fluorescent lamp are explained as follows.

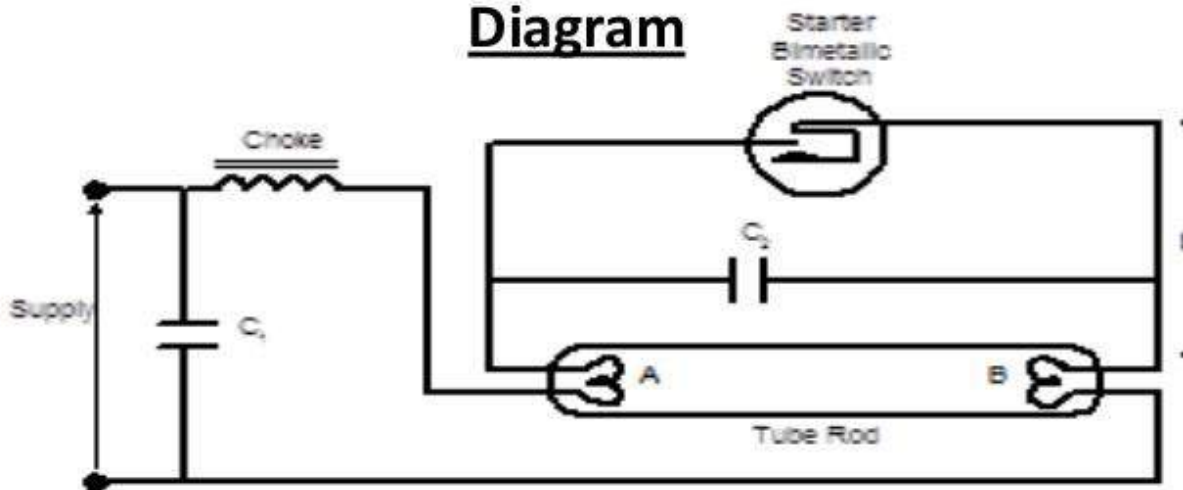
### Construction

It consists of a long horizontal tube, due to low pressure maintained inside of the bulb; it is made in the form of a long tube.

The tube consists of two spiral tungsten electrode coated with electron emissive material and are placed at the two edges of long tube. The tube contains small quantity of argon gas and certain amount of mercury, at a pressure of 2.5 mm of mercury. The construction of fluorescent lamp is shown in Fig. Normally, low-pressure mercury vapor lamps suffer from low efficiency and they produce an objectionable colored light. Such drawback is overcome by coating the inside of the tube with fluorescent powders. They are in the form of solids, which are usually known as phosphors.

## Fluorescent Lamp

### Diagram



NOTE:- **A** and **B** are electrodes

Vijay Balu Raskar (BE Electrical)

A glow starter switch contains small quantity of argon gas, having a small cathode glow lamp with bimetallic strip is connected in series with the electrodes, which puts the electrodes directly across the supply at the time of starting. A choke is connected in series that acts as



ballast when the lamp is running, and it provides a voltage impulse for starting. A capacitor of  $4\mu\text{F}$  is connected across the starter in order to improve the power factor.

### **Working**

At the time of starting, when both the lamp and the glow starters are cold, the mercury is in the form of globules. When supply is switched on, the glow starter terminals are open circuited and full supply voltage appeared across these terminals, due to low resistance of electrodes and choke coil. The small quantity of argon gas gets ionized, which establishes an arc with a starting glow. This glow warms up the bimetallic strip thus glow starts gets short circuited. Hence, the two electrodes come in series and are connected across the supply voltage. Now, the two electrodes get heated and start emitting electrons due to the flow of current through them. These electrons collide with the argon atoms present in the long tube discharge that takes place through the argon gas. So, in the beginning, the lamp starts conduction with argon gas as the temperature increases, the mercury changes into vapor form and takes over the conduction of current.

In the mean time, the starter potential reaches to zero and the bimetallic strip gets cooling down. As a result, the starter terminals will open. This results breaking of the series circuit. A very high voltage around 1,000 V is induced, because of the sudden opening of starter terminals in the series circuit. But in the long tube, electrons are already present; this induced voltage is quite sufficient to break down the long gap. Thus, more number of electrons collide with argon and mercury vapor atoms. The excited atom of mercury gives UV radiation, which will not fall in the visible region.

Meanwhile, these UV rays are made to strike phosphor material; it causes the re-emission of light of different wavelengths producing illumination. The phenomenon of the emission is called as luminescence.

This luminescence is classified into two ways. They are:

1. Fluorescence: In this case, the excitation presents for the excited periods only.
2. Phosphorescence: In this case, even after the exciting source is removed, the excitation will present.

In a lamp, the re-emission of light causes fluorescence, then such lamp is known as fluorescent lamp.

### **BASIC PRINCIPLES OF LIGHT CONTROL**

When light strikes the surface of an object, based on the properties of that surface, some portion of the light is reflected, some portion is transmitted through the medium of the surface, and the remaining is absorbed.

The method of light control is used to change the direction of light through large angle. There are four light control methods. They are:

1. reflection, 2. refraction, 3. riffusion, and 4. absorption.

### Reflection

The light falling on the surface, whole of the light will not absorbed or transmitted through the surface, but some of the light is reflected back, at an angle equals to the angle of incidence. The ratio of reflected light energy to the incident light energy is known as reflection factor. The two basic types of reflection are:

1. mirror or specular reflection
2. diffuse reflection.

### Specular reflection

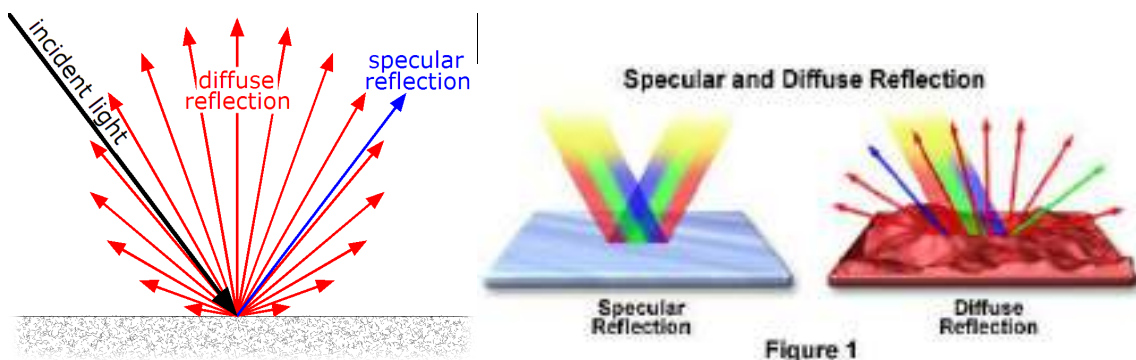
When whole of the light falling on a smooth surfaces will be reflected back at an angle equal to the angle of incidence. Such a reflection is known as specular reflection. With such reflection, observer will be able to see the light source but not the illuminated surface. Most of the surfaces causing the specular reflection are silvered mirrors, highly polished metal surfaces. Specular reflection is shown in Fig.

A surface that is almost free from reflection is called a matt surface.

### Diffuse reflection

When the light ray falling on any surface, it is scattered in all directions irrespective of the angle of incidence. Such type of reflector is known as diffuse reflection and is shown in Fig. Most of the surfaces causing the diffuse reflection are rough or matt surfaces such as blotting paper, frosted glass, plaster, etc.

In this reflection, observer will be able to see the illuminated surface but not the light source.



### Refraction

When a beam of light passes through two different mediums having different densities, the light ray will be reflected. This phenomenon is known as refraction.

### **Diffusion**

When a ray of light falling on a surface is reflected in all possible directions, so that such surface appears luminous from all possible directions. This can be achieved with a diffusing glass screen introduced between the observer and the light source. The normally employed diffusing glasses are opal glass and frosted glass. Both are ordinary glasses, but frosted glass is an ordinary glass coated with crystalline substance.

Although frosted glass is cheaper than opal glass, the disadvantage of frosted glass is, it collects more dust particles and it is difficult to clean.

### **Absorption**

In some of the cases, whole of the light emitted by tungsten filament lamp will be excessive, so that it is necessary to avoid that the amount of unwanted wavelengths without interference. This can be achieved by using a special bluish colored glass for the filament lamp to absorb the unwanted radiation.

## **TYPES OF LIGHTING SCHEMES**

Usually, with the reflector and some special diffusing screens, it is possible to control the distribution of light emitted from lamps up to some extent. A good lighting scheme results in an attractive and commanding presence of objects and enhances the architectural style of the interior of a building. Depending upon the requirements and the way of light reaching the surface, lighting schemes are classified as follows:

1. direct lighting,
2. semidirect lighting,
3. indirect lighting,
4. semi-indirect lighting,
5. general lighting.

### **Direct lighting schemes**

Direct lighting scheme is most widely used for interior lighting scheme. In this scheme, by using deep reflectors, it is possible to make 90% of light falls just below the lamp. This scheme is more efficient but it suffers from hard shadows and glare. Hence, while designing such schemes, all the possibilities that will cause glare on the eye have to be eliminated. It is mainly used for industrial and general outdoor lighting.

### **Semidirect lighting schemes**

In semidirect lighting scheme, about 60–90% of lamps luminous flux is made to fall downward directly by using some reflectors and the rest of the light is used to illuminate the walls and ceiling. This type of light scheme is employed in rooms with high ceiling.

Glare can be avoided by employing diffusing globes. This scheme will improve not only the brightness but also the efficiency.

### **Indirect lighting schemes**

In this lighting scheme, 90% of total light is thrown upwards to the ceiling. In such scheme, the ceiling acts as the lighting source and glare is reduced to minimum. This system provides shadowless illumination, which is very useful for drawing offices and in workshops where large machines and other difficulties would cause trouble some shadows if direct lighting schemes were used.

### **Semi-indirect lighting schemes**

In semi-indirect lighting scheme, about 60–90% of light from the lamp is thrown upwards to the ceiling and the remaining luminous flux reaches the working surface. Glare will be completely eliminated with such type of lighting scheme. This scheme is widely preferred for indoor lighting decoration purpose.

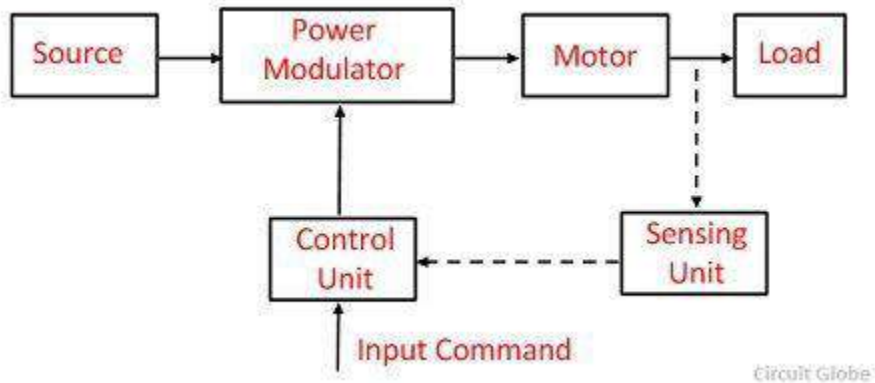
## **5.ELECTRIC DRIVES**

Motor control is required in large number of industrial and domestic applications such as transportation systems, rolling mills, paper machines, textile mills, machine tools, fans, pumps, robots, and washing machines. Systems employed for motion control are called drives and may employ any of the prime movers. Drives employing electric motors are known as electric drives.

Nowadays, in electric power stations generating large amounts of electric energy for agriculture, industry, domestic needs, and electrified traction facilities and in driving all kinds of working machines, electric motor is essential, which is the predominant type of drive so the term electric drive being applied to it.

Electric drive becomes more popular because of its simplicity, reliability, cleanliness, easiness, and smooth control. Both AC and DC motors are used as electric drives.

### **BLOCK DIAGRAM OF ELECTRIC DRIVE**



### Source

1- $\phi$  and 3- $\phi$ , 50-Hz AC supplies are readily available in most locations. Very low power drives are generally fed from 1- $\phi$  source; however, the high power drives are powered from 3- $\phi$  source; some of the drives are powered from a battery.

### Power modulator

Power modulator performs the following functions:

1. It modulates flow of power from the source to the motor to impart speed-torque characteristics required by the load.
2. It regulates source and motor currents within permissible values, such as starting, braking, and speed reversal conditions.
3. Selects the mode of operation of motor, i.e., motoring or braking.
4. Converts source energy in the form suitable to the motor.

### Electrical motors

Motors commonly used in electric drives are DC motors, induction motors, synchronous motors, brushless DC motors, stepper motors, and switched reluctance motors, etc. In olden days, induction and synchronous motors were employed mainly for constant speed drives but not for variable speed drives, because of poor efficiency and are too expensive. But in nowadays, AC motors employed in variable speed drives due to the development of semiconductors employing SCRs, power transistors, IGBTs, and GTOs.

### Load

It is usually a machinery, such as fans, pumps, robots, and washing machines, designed to perform a given task, usually load requirements, can be specified in terms of speed and torque demands.

### Control unit

Control unit controls the function of power modulator. The nature of control unit for a particular drive depends on the type of power modulator used. When semiconductor converters are used, the control unit will consist of firing circuits. Microprocessors are also used when sophisticated control is required.

### **Sensing unit**

Sensing unit consists of speed sensor or current sensor. The sensing of speed is required for the implementation of closed loop speed control schemes. Speed is usually sensed using tachometers coupled to the motor shaft. Current sensing is required for the implementation of current limit control.

## **TYPES OF ELECTRIC DRIVES**

Depending on the type of equipment used to run the electric motors in industrial purpose, they may be classified into three types. They are:

1. Group drives.
2. Individual drives.
3. Multi-motor drives.

### **Group drives**

Electric drive that is used to drive one or more than two machines from line shaft through belts and pulleys is known as group drive. It is also sometimes called the line shaft drive. This drive is economical in the consideration of the cost of motor and control gear. A single motor of large capacity cost is less than the total cost of a number of small motors of the same total capacity. In switch over from non-electric drive to electric drive, the simplest way is to replace the engine by means of motor and retaining the rest of power transmission system.

#### **Advantages**

- o The cost of installation is less. For example, if the power requirement of each machine is 10 HP and there are five machines in the group, then the cost of five motors will be more than one 50-HP motor.
- o If it is operated at rated load, the efficiency and power factor of large group drive motor will be high.
- o The maintenance cost of single large capacity motor is less than number of small capacity motors.
- o It is used for the processes where the stoppage of one operation necessitates the stoppages of sequence of operations as in case of textile mills.
- o It has overload capacity.

#### **Disadvantage**

Even though group drive has above advantages, it suffers from the following disadvantages.

- o If there is any fault in the main motor, all the machines connected to the motor will fail to operate; thereby, paralyzing a part of industry until the fault is removed.
- o It is

not possible to install any machine at a distant place. o The possibility of the installation of additional machines in an existing industry is limited.

Smartzworld.com Smartworld.asia

jntuworldupdates.org Specworld.in

o The level of noise produced at the work site is quite large. o The speed control of different machines using belts and pulleys is difficult. o The flexibility of layout is lost due to line shaft, belts, and pulleys.

### **Individual drive**

In individual drive, a single electric motor is used to drive one individual machine. Such a drive is very common in most of the industries.

### **Advantages**

- o It is more clean and safety.
- o Machines can be located at convenient places.
- o If there is a fault in one motor, the output and operation of the other motors will not be effected.
- o The continuity in the production of the industry is ensured to a higher degree.
- o Individual drive is preferred for new factories, as it causes some saving in the cost.

### **Disadvantage**

- o Initial cost will be high.
- o Power loss is high.

### **Multi-motor drive**

In multi-motor drives, several separate motors are provided for operating different parts of the same machine.

Ex: In traveling cranes, three motors are used for hoisting, long travel, and cross-travel motions. Multi-motor drive is used in complicated metal cutting machine tools, rolling mills, paper making machines, etc.

## **CHOICE OF MOTORS**

The selection of the driving motor for a given service depends upon the conditions under which it has to operate. Due to the universal adoption of electric drive, it has become necessary for the manufacturer to manufacture motors of various designs according to the suitability and the use in various designs according to the suitability and the use in various classes of industry. This has resulted into numerous types of motors. For this reason, the selection of motor itself has become an important and tedious process. The conditions under which an electric motor has to operate and the type of load it has to handle, determine its selection.

While selecting a motor, the following factors must be taken into consideration



**Cost:**

1. initial cost and
2. 2. running cost.

**Electric characteristics:**

0. starting characteristics,
1. running characteristics,
2. speed control characteristics,
3. braking characteristics.

**Mechanical characteristics:**

0. type enclosure and bearings,
1. arrangement for the transmission of power,
2. noise, and
3. cooling.

**Size and vetting of motors:**

0. requirements for continuous, Intermittent, or variable load cycle and
1. overload capacity.

**Type of drive:**

0. the drive is for one or more machines and
1. the type of transmission through gears, belts, etc.

**Nature of supply.**

From the above, it is seen that a large number of factors are to be considered in making the choice of an electric motor for a given drive. The motor selected must fulfill all the necessary load requirements and at the same time, it should not be very costly if it has to be a commercial success. The factors motioned above will be individually discussed in the following sections to bring home to the reader the importance of each. While making the final choice of the motor, a satisfactory compromise may have to be made in some cases on account of the conflicting requirements.

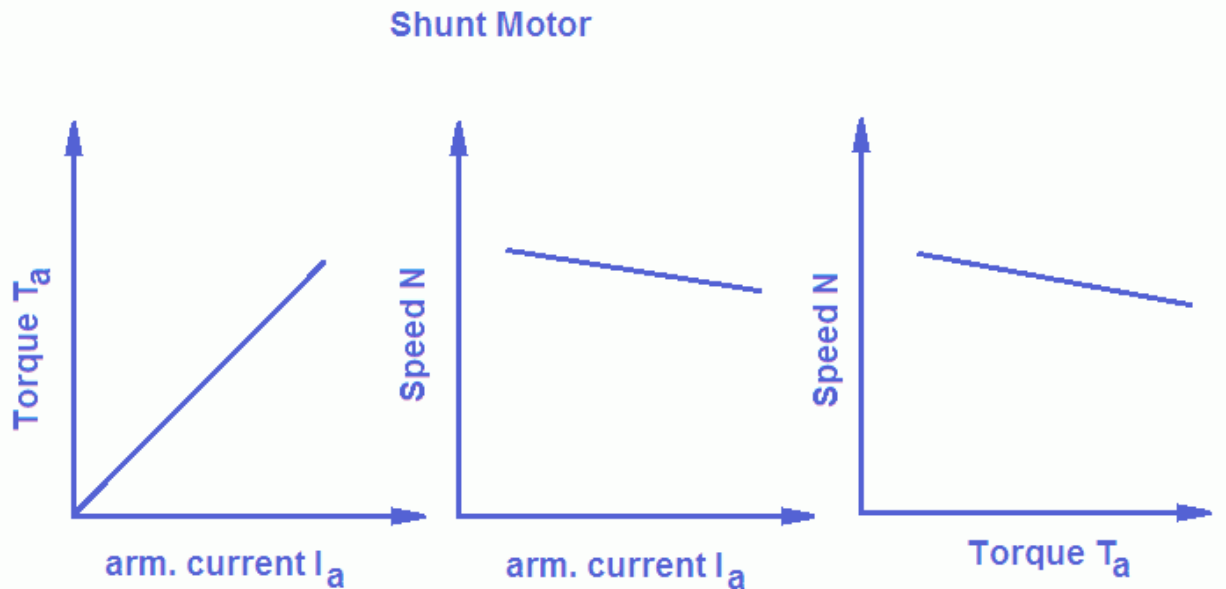
**CHARACTERISTICS OF DC MOTOR**

The characteristics of a motor are those curves which show relation between the two quantities. On the basis of these quantities, the following characteristics can be obtained:

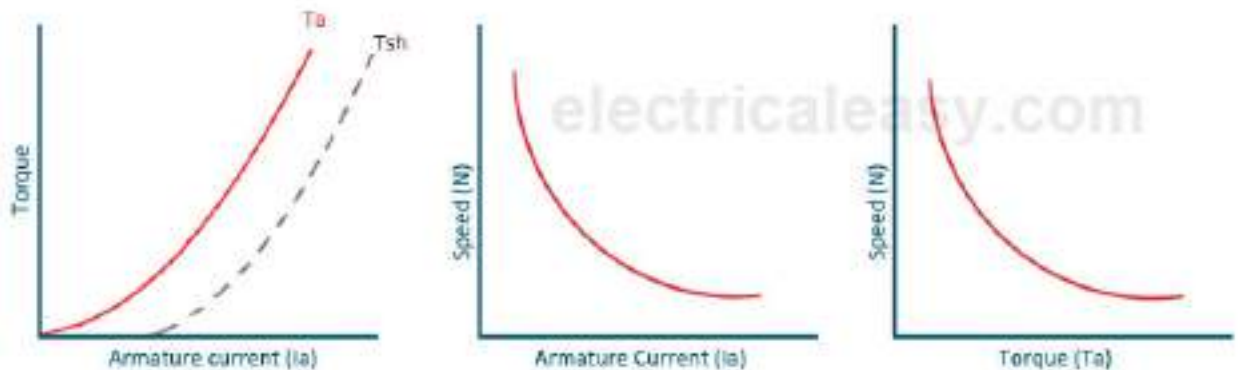
1. Speed and Armature current i.e.,  $N - I_a$  Characteristics: It is the curve drawn between speed  $N$  and armature current  $I_a$ . It is also known as speed characteristics.
2. Torque and Armature current i.e.,  $T - I_a$  Characteristics: It is the curve drawn between torque developed in the armature  $T$  and armature current  $I_a$ . It is also known as electrical characteristic.

3. Speed and Torque i.e., N–T characteristics: It is the curve drawn between speed N and torque developed in the armature T. It is also known as mechanical characteristics. The following important relations must be kept in mind while discussing the motor characteristics:  $N \propto E_b/\phi$     $T \propto \phi I_a$

### Characteristics of Shunt Motors



### Characteristics of Series Motors



## Characteristics of DC series motor

### Characteristics of compound Motors

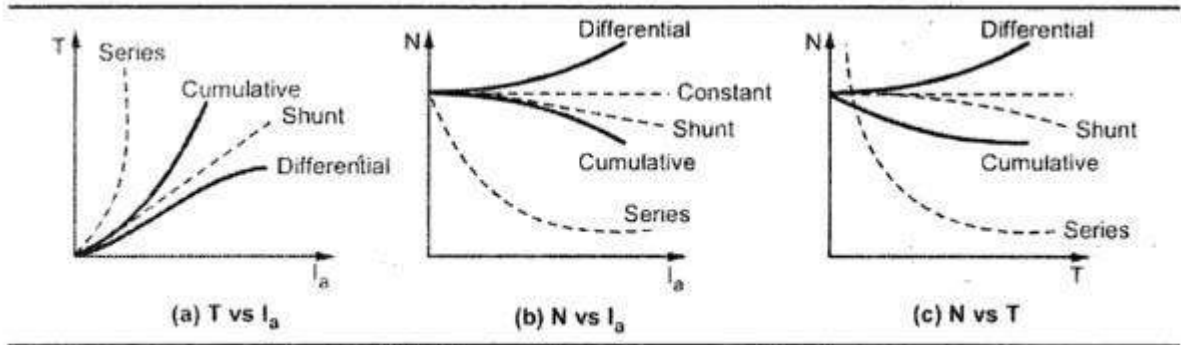


Fig. 2.19 Characteristics of compound motor

## Characteristics of AC Motors

### 1. Synchronous Motors

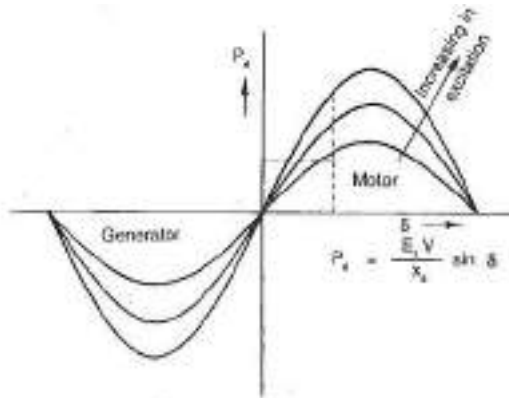
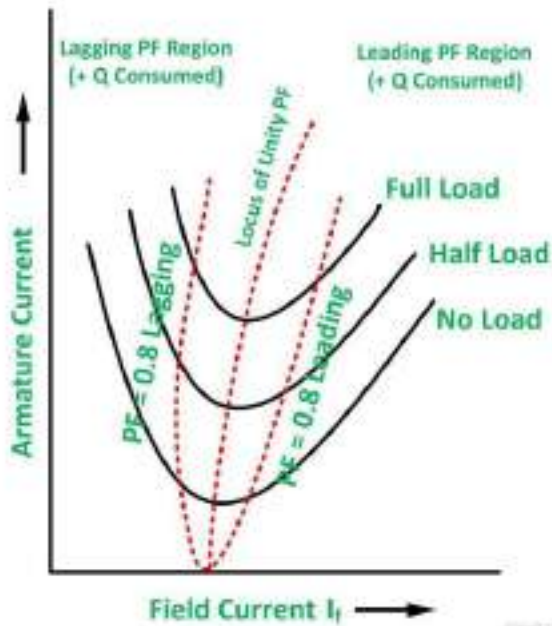
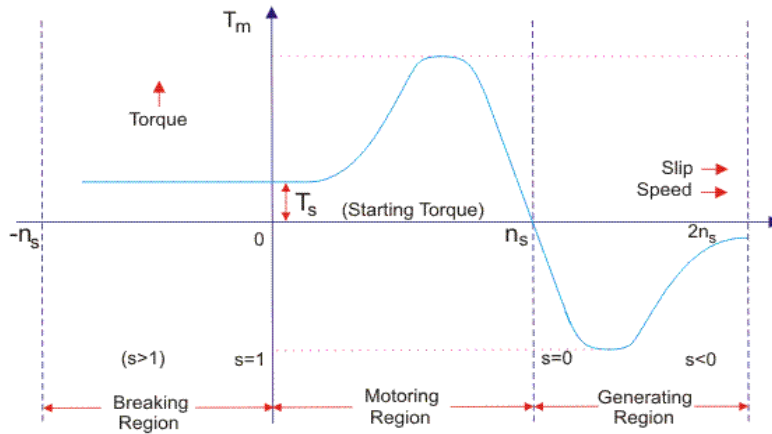


Fig. 1.33(a) Power-angle diagrams of a synchronous motor at different excitations

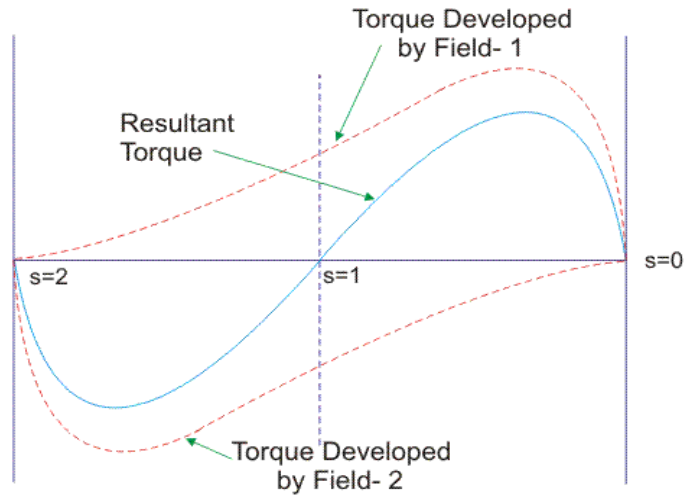


v-curve of a synchronous motor

## Induction motor



**Torque Slip Curve for Three Phase Induction Motor**



**Torque Slip Characteristics of Single Phase Induction Motor**

## Applications of DC Motors

### 1. Separately excited motors:

Very accurate speeds can be obtained by these motors. Moreover, these motors are best suited where speed variation is required from very low value to high value. These motors are used in steel rolling mills, paper mills, diesel – electric propulsion of ships, etc.

## **2. Shunt motors:**

From the characteristics of a shunt motor we have seen that it is almost constant speed motor. It is, therefore, used;

( i) Where the speed between no-load to full load has to be maintained almost constant.

( ii) Where it is required to drive the load at various speeds (various speeds are obtained by speed control methods) and any one of the speed is required to be maintained almost constant for a relatively long period. As such the shunt motors are most suitable for industrial drives such as lathes, drills, grinders, shapers, spinning and weaving machines, line shafts in the group drive, etc.

## **3. Series motors:**

The characteristics of a series motor reveal that it is variable speed motor i.e., the speed is low at higher torques and vice-versa. Moreover, at light loads or at no-load, the motor attains dangerously high speed. It is, therefore, employed:

( i) Where high torque is required at the time of starting to accelerate heavy loads quickly.

( ii) Where the load is subjected to heavy fluctuations and speed is required to be adjusted automatically. As such the series motors are most suitable for electric traction, cranes, elevators, vacuum cleaners, hair driers, sewing machines, fans and air compressors, etc.

## **4. Compound motors:**

The important characteristic of this motor is that the speed falls appreciably on heavy loads as in a series motor, but at light loads, the maximum speed is limited to safe value. It is, therefore, used;

( i) Where high torque is required at the time of starting and where the load may be thrown off suddenly.

( ii) Where the load is subjected to heavy fluctuations. As such the cumulative compound, motors are best suited for punching and shearing machines, rolling mills, lifts and mine - hoists, etc.

## **Applications of Single Phase Induction Motor**

These are used in low power applications and widely used in domestic applications as well as industrial. And some of those are mentioned below

- Pumps
- Compressors
- Small fans
- Mixers
- Toys
- High speed vacuum cleaners
- Electric shavers
- Drilling machines

### **Applications of Three Phase Induction Motor**

- Lifts
- Cranes
- Hoists
- Large capacity exhaust fans
- Driving lathe machines
- Crushers
- Oil extracting mills
- Textile and etc.

### **Applications of Three Phase SYNCHRONOUS Motor**

Due to constant speed characteristics, it is used in machine tools, motor generator sets, synchronous clocks, stroboscopic devices, timing devices, belt driven reciprocating compressors, fans and blowers, centrifugal pumps, vacuum pumps, pulp grinders, textile mills, paper mills line shafts, rolling mills, cement mills etc.

### **Applications of Three Phase UNIVERSAL Motor**

There are various applications where universal motors are used, such as power drills, wash machines, blowers and kitchen appliances etc. And they are also used for numerous different purposes where speed control and high qualities of speed are necessary

### **Applications of Three Phase REPULSION Motor**

- They are used where there is a need for starting torque with high-speed equipment's
- Coil Winders: Where we can adjust speed flexibly and easily and direction can also be changed by reversing the brush axis direction.
- Toys
- Lifts etc

## **5.ELECTRIC TRACTION**

### **INTRODUCTION**

The system that causes the propulsion of a vehicle in which that driving force or tractive force is obtained from various devices such as electric motors, steam engine drives, diesel engine drives, etc. is known as traction system.

Traction system may be broadly classified into two types. They are electric traction systems, which use electrical energy, and non-electric traction system, which does not use electrical energy for the propulsion of vehicle.

### **SYSTEM OF TRACTION**

Traction system is normally classified into two types based on the type of energy given as input to drive the system and they are:

#### **1. Non-electric traction system**

Traction system develops the necessary propelling torque, which do not involve the use of electrical energy at any stage to drive the traction vehicle known as electric traction system. Ex: Direct steam engine drive and direct internal combustion engine drive.

#### **2. Electric traction system**

Traction system develops the necessary propelling torque, which involves the use of electrical energy at any stage to drive the traction vehicle, known as electric traction system. Based upon the type of sources used to feed electric supply for traction system, electric traction may be classified into two groups:

1. Self-contained locomotives.
2. Electric vehicle fed from the distribution networks.

#### **Self-contained locomotives**

In this type, the locomotives or vehicles themselves having a capability of generating electrical energy for traction purpose. Examples for such type of locomotives are:

#### **Steam electric drive**

In steam electric locomotives, the steam turbine is employed for driving a generator used to feed the electric motors. Such types of locomotives are not generally used for traction because of some mechanical difficulties and maintenance problems.

#### **Diesel electric trains**



A few locomotives employing diesel engine coupled to DC generator used to feed the electric motors producing necessary propelling torque. Diesel engine is a variable high-speed type that feeds the self- or separately excited DC generator. The excitation for generator can be supplied from any auxiliary devices and battery.

Generally, this type of traction system is suggested in the areas where coal and steam tractions are not available. The advantages and disadvantages of the diesel engine drive are given below:

### **Advantages**

- 1.As these are no overhead distribution system, initial cost is low.
- 2.Easy speed control is possible.
- 3.Power loss in speed control is very low
- 4.Time taken to bring the locomotive into service is less.
- 5.In this system, high acceleration and braking retardation can be obtained compared to steam locomotives
- 6.The overall efficiency is high compared to steam locomotives.

### **Disadvantages**

- 1.The overloading capability of the diesel engine is less.
- 2.The running and maintenance costs are high.
- 3.The regenerative braking cannot be employed for the diesel engine drives.

### **Petrol electric traction**

This system of traction is used in road vehicles such as heavy lorries and buses. These vehicles are capable of handling overloads. At the same time, this system provides fine and smooth control so that they can run along roads without any jerking.

### **Battery drives**

In this drive, the locomotive consists of batteries used to supply power to DC motors employed for driving the vehicle. This type of drives can be preferred for frequently operated services such as local delivery goods traction in industrial works and mines, etc. This is due to the unreliability of supply source to feed the electric motors.

### **Electric vehicles fed from distribution network**

Vehicles in electrical traction system that receives power from over head distribution network fed or substations with suitable spacing. Based on the available supply, these groups of vehicles are further subdivided into:

1. System operating with DC supply. Ex: tramways, trolley buses, and railways.
2. System operating with AC supply. Ex: railways.

### **Systems operating with DC supply**

In case if the available supply is DC, then the necessary propelling power can be obtained for the vehicles from DC system such as tram ways, trolley buses, and railways.

**Tramways:** Tramways are similar to the ordinary buses and cars but only the difference is they are able to run only along the track. Operating power supply for the tramways is 500-V DC tramways are fed from single overhead conductor acts as positive polarity that is fed at suitable points from either power station or substations and the track rail acts as return conductor.

The equipment used in tramways is similar to that used in railways but with small output not more than 40–50 kW. Usually, the tramways are provided with two driving axels to control the speed of the vehicles from either ends. The main drawback of tramways is they have to run along the guided routes only. Rehostatic and mechanical brakings can be applied to tramways. Mechanical brakes can be applied at low speeds for providing better saturation where electric braking is ineffective, during the normal service. The erection and maintenance costs of tramways are high since the cost of overhead distribution structure is costlier and sometimes, it may cause a source of danger to other road users.

**Trolley buses:** The main drawback of tramways is, running along the track is avoided in case of trolley buses. These are electrically operated vehicles, and are fed usually 600-V DC from two overhead conductors, by means of two collectors. Even though overhead distribution structure is costlier, the trolley buses are advantageous because, they eliminate the necessity of track in the roadways.

In case of trolley buses, rehostatic braking is employed, due to high adhesion between roads and rubber types. A DC compound motor is employed in trolley buses.

### **SYSTEM OF TRACK ELECTRIFICATION**

Nowaday, based on the available supply, the track electrification system are categorized into.

1. DC system.
2. Single-phase AC system.
3. Three-phase AC system.
4. Composite system.

#### **1. DC system**

In this system of traction, the electric motors employed for getting necessary propelling torque should be selected in such a way that they should be able to operate on DC supply. Examples for such vehicles operating based on DC system are tramways and trolley buses. Usually, DC series motors are preferred for tramways and trolley buses even though DC compound motors are available where regenerative braking is desired. The operating voltages of vehicles for DC track electrification system are 600, 750, 1,500, and 3,000 V. Direct current at 600–750 V is

universally employed for tramways in the urban areas and for many suburban and main line railways, 1,500–3,000 V is used. In some cases, DC supply for traction motor can be obtained from substations equipped with rotary converters to convert AC power to DC. These substations receive AC power from 3- $\phi$  highvoltage line or single-phase overhead distribution network. The operating voltage for traction purpose can be justified by the spacing between stations and the type of traction motors available. These substations are usually automatic and remote controlled and they are so costlier since they involve rotary converting equipment. The DC system is preferred for suburban services and road transport where stops are frequent and distance between the stops is small.

## **2. Single-phase AC system**

In this system of track electrification, usually AC series motors are used for getting the necessary propelling power. The distribution network employed for such traction systems is normally 15–25 kV at reduced frequency of  $16\frac{2}{3}$  Hz or 25 Hz. The main reason of operating at reduced frequencies is AC series motors that are more efficient and show better performance at low frequency. These high voltages are stepped down to suitable low voltage of 300–400 V by means of step-down transformer. Low frequency can be obtained from normal supply frequency with the help of frequency converter. Low-frequency operation of overhead transmission line reduces the line reactance and hence the voltage drops directly and single-phase AC system is mainly preferred for main line services where the cost of overhead structure is not much importance moreover rapid acceleration and retardation is not required for suburban services.

## **3. Three-phase AC system**

In this system of track electrification, 3- $\phi$  induction motors are employed for getting the necessary propelling power. The operating voltage of induction motors is normally 3,000–3,600-V AC at either normal supply frequency or  $16\frac{2}{3}$ -Hz frequency.

Usually 3- $\phi$  induction motors are preferable because they have simple and robust construction, high operating efficiency, provision of regenerative braking without placing any additional equipment, and better performance at both normal and seduced frequencies. In addition to the above advantages, the induction motors suffer from some drawbacks; they are low-starting torque, high-starting current, and the absence of speed control. The main disadvantage of such track electrification system is high cost of overhead distribution structure. This distribution system consists of two overhead wires and track rail for the third phase and receives power either directly from the generating station or through transformer substation.

Three-phase AC system is mainly adopted for the services where the output power required is high and regeneration of electrical energy is possible.

## **4. Composite system**

As the above track electrification system have their own merits and demerits, 1 $\phi$  AC system is preferable in the view of distribution cost and distribution voltage can be stepped up to high voltage with the use of transformers, which reduces the transmission losses. Whereas in DC system, DC series motors have most desirable features and for 3- $\phi$  system, 3- $\phi$  induction motor has the advantage of automatic regenerative braking. So, it is necessary to combine the advantages of the DC/AC and 3- $\phi$ /1- $\phi$  systems. The above cause leads to the evolution of composite system.

Composite systems are of two types.

1. Single-phase to DC system.
2. Single-phase to three-phase system or kando system.

### **Single-phase to DC system**

In this system, the advantages of both 1- $\phi$  and DC systems are combined to get high voltage for distribution in order to reduce the losses that can be achieved with 1- $\phi$  distribution networks, and DC series motor is employed for producing the necessary propelling torque. Finally, 1- $\phi$  AC distribution network results minimum cost with high transmission efficiency and DC series motor is ideally suited for traction purpose. Normal operating voltage employed of distribution is 25 kV at normal frequency of 50 Hz. This track electrification is employed in India.

### **Single-phase to 3- $\phi$ system or kando system**

In this system, 1- $\phi$  AC system is preferred for distribution network. Since singlephase overhead distribution system is cheap and 3- $\phi$  induction motors are employed as traction motor because of their simple, robust construction, and the provision of automatic regenerative braking.

The voltage used for the distribution network is about 15–25 kV at 50 Hz. This 1- $\phi$  supply is converted to 3- $\phi$  supply through the help of the phase converters and high voltage is stepped down transformers to feed the 3- $\phi$  induction motors. Frequency converters are also employed to get high-starting torque and to achieve better speed control with the variable supply frequency.

## **SPECIAL FEATURES OF TRACTION MOTORS**

### **1. DC series motor as traction motor**

There are two basic principles which governs the working of DC machine. A current carrying conductor placed in a magnetic field experiences a force demonstrated by

Lorentz Law. Direction of the force is given by Fleming's LH rule.

$$F = BIL$$

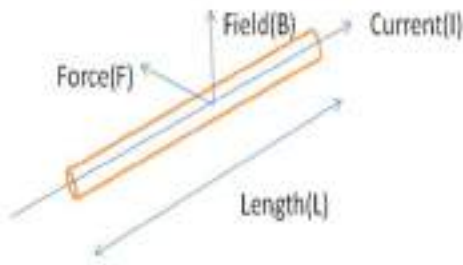


Figure 1

- A voltage is induced in the conductor moving in a magnetic field (Faraday's Law). This voltage is induced so as to oppose the magnetic field.(Lenz's Law). Let the conductor moves with a velocity of  $V$  m/sec on account of Force experienced, then

- $e = BxLv$  Derived from Faradays's law

- $e = (-)N d\phi/dt$  Derived from Lenz's Law and Faraday's law

These two equations derives all equations of DC Traction Motor

Equivalent circuit of DC Series Motor

- $V = E_b + I_a(R_a + R_f)$ ;  $E_b = P\phi ZN/60A$ ; or  $E_b \propto I_a \times N$  or  $N \propto E_b/I_a$
- Speed  $\propto (1/\text{Armature current})$

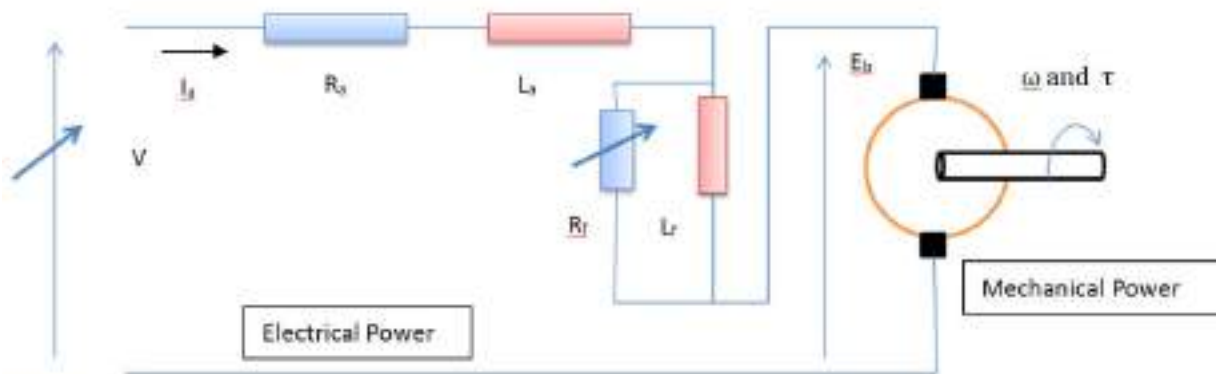


Figure 2

Speed is inversely proportional to armature current; field current is same as that of armature unless partly diverted therefore can also be said to proportional to field

- Power =  $E_b \cdot I_a = \text{Torque} \cdot \text{angular speed} = T \cdot 2\pi N/60$

$$(P\phi ZN/60A) \cdot I_a = T \cdot 2\pi N/60$$

$$\text{or } T = (PZ/2\pi) \phi \cdot I_a$$

$$T \propto \phi I_a \text{ or } T \propto I_a^2 \text{ (Unsaturated field)}$$

$$\propto I_a \text{ (Saturated field)}$$

Torque is directly proportional to the square of the armature current resulting high starting torque and directly proportional when field is saturated. Starting Armature current is high, and field is thus saturated early.

- By substituting value of  $I_a$  in torque equation we get

$$T \propto 1/N^2 \quad : \text{ when field is unsaturated and}$$

$$\propto 1/N \quad : \text{ when field is saturated}$$

$$\text{HP} \propto \text{Speed} \cdot \sqrt{\text{Torque}} \quad : \text{ before saturation means}$$

$$\text{HP} \propto \text{Speed} \cdot \text{Torque} \quad : \text{ after saturation}$$

It provides higher torque within rated HP up to saturation.

For deriving [tractive effort](#) and speed characteristics to match the load, variables are applied voltage and field flux. This achieved by varying the Single Phase 25kV AC Voltage through on load Tap changer, rectification, smoothing and applied to Traction Motor. Voltage can be varied in 32 steps. Field is varied by Resistance insertion in parallel to field though shunting contactor in 3 to 4 steps in WAG7 and WAP4 locos respectively.

Torque/flux/speed vs armature current characteristics

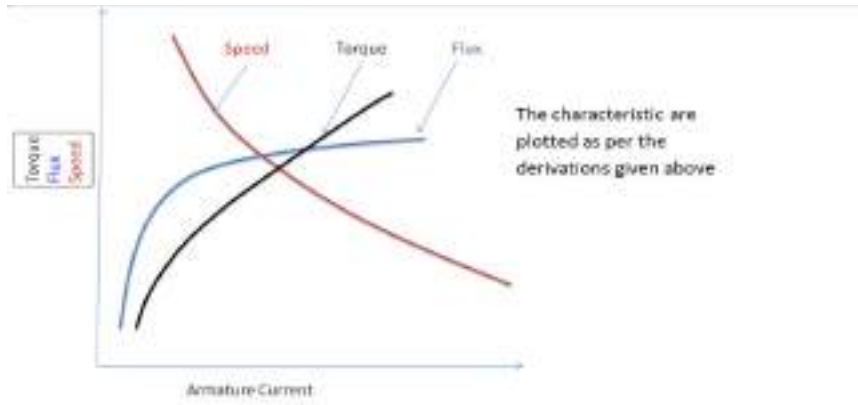
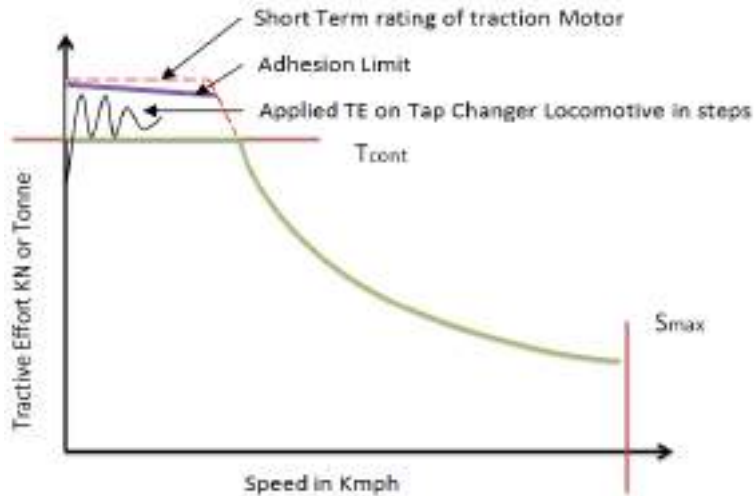


Figure 3

### Deriving Tractive Effort Vs Speed characteristics

Limits are set on the torque speed characteristics of Series motor as  $T_{max}$  and  $S_{max}$  as per the design parameter.  $T_{max}$  is fixed on the basis of short term thermal rating of the motor and **adhesion** available where  $S_{max}$  depends on the mechanical design and the services the locomotive has to perform. Applied TE of tap changer locomotive is in steps due to tap changer control and peak has to be kept within adhesion limit therefore average TE applied is always less than adhesion limit.



Speed Torque Equation of DC series motor Limits are set on the torque speed characteristics of Series motor as  $T_{max}$  and  $S_{max}$  as per the design parameter.  $T_{max}$  is fixed on the basis of short term thermal rating of the motor and adhesion available where  $S_{max}$  depends on the mechanical design and the services the locomotive has to perform. Applied TE of tap changer locomotive is in steps due to tap changer control and peak has to be kept within adhesion limit therefore average TE applied is always less than adhesion limit.



$$V = E_b + I_a (R_a + R_f); E_b = k_1 \Phi N; T = k_2 \Phi I_a$$

Substituting value of  $E_b$  and  $T$  in voltage equation and solving for speed, we get

$$V = k_1 \Phi N + T (R_a + R_f) / k_2 \Phi = k_1 \Phi N + k_3 T / \Phi$$

$$N = [V / k_1 \Phi - k_4 T / \Phi^2]$$

When voltage and flux is kept constant, this equation is of the form,

$N = A - BT$  where  $A$  determines the intersection on speed axis and  $B$  is slope of the curve

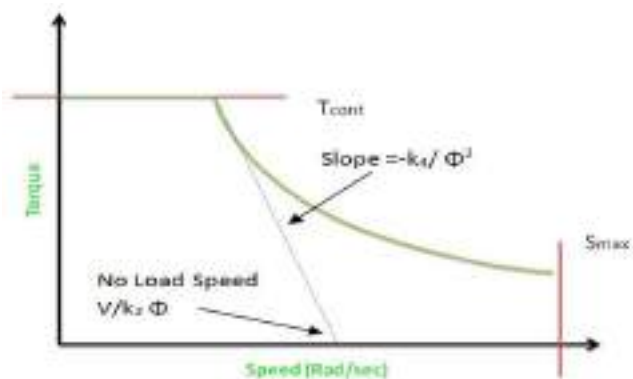


Figure 5:

## 2.DC shunt motor as traction motor

From the characteristics of DC shunt motor, it is not suitable for traction purpose, due to the following reasons:

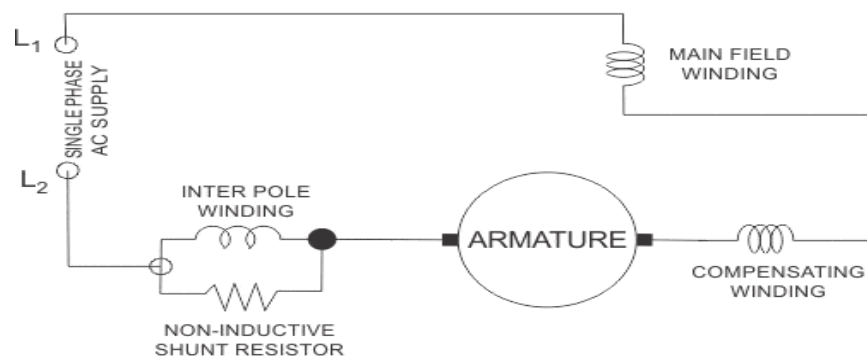
1. DC shunt motor is a constant speed motor but for traction purpose, the speed of the motor should vary with service conditions.
2. In case of DC shunt motor, the power output is independent of speed and is proportional to torque. In case of DC series motor, the power output is proportional to speed. So that, for a given load torque, the shunt motor has to draw more power from the supply than series motor.
3. For shunt motor, the torque developed is proportional to armature current ( $T \propto I_a$ ). So for a given load torque motor has to draw more current from the supply.
4. The flux developed by shunt motor is proportional to shunt field current and hence supply voltage. . But the torque developed is proportional to  $\phi_{sh}$  and  $I_a$ . Hence, the torque developed by the shunt motor is affected by small variations in supply voltage.
5. If two shunt motors are running in parallel, their speed–torque and speed–current

characteristics must be flat and same. Otherwise, the currents drawn by the motor from the supply mains will be different and cause to unequal sharing of load.

### 3.AC series motor as traction motor

Practically, AC series motor is best suited for the traction purpose due to high starting torque . When DC series motor is fed from AC supply, it works but not satisfactorily due to some of the following reasons:

1. If DC series motor is fed from AC supply, both the field and the armature currents reverse for every half cycle. Hence, unidirectional torque is developed at double frequency.
2. Alternating flux developed by the field winding causes excessive eddy current loss, which will cause the heating of the motor. Hence, the operating efficiency of the motor will decrease.
3. Field winding inductance will result abnormal voltage drop and low power factor that leads to the poor performance of the motor.
4. Induced emf and currents flowing through the armature coils undergoing commutation will cause sparking at the brushes and commutator segments.



AC Series Motor with Interpoles and compensating Windings

Hence, some modifications are necessary for the satisfactory operation of the DC series motor on the AC supply and they are as follows:

1. In order to reduce the inductive reactance of the series field, the field winding of AC series motor must be designed for few turns.
2. The decrease in the number of turns of the field winding reduces the load torque, i.e., if field turns decrease, its mmf decrease and then flux, which will increase the speed, and hence the torque will decrease. But in order to maintain constant load torque, it is necessary to increase the armature turns proportionately.
3. If the armature turns increase, the inductive reactance of the armature would increase, which can be neutralized by providing the compensating winding.

4. Magnetic circuit of an AC series motor should be laminated to reduce eddy current losses.
5. Series motor should be operating at low voltage because high voltage low current supply would require large number of turns to produce given flux.
6. Motor should be operating at low frequency, because inductive reactance is proportional to the frequency. So, at low frequency, the inductive reactance of the field winding decreases.

The operating characteristics of the AC series motor are similar to the DC series motor. Weight of an AC series motor is one and a half to two times that of a DC series motor. And operating voltage is limited to 300 V. They can be built up to the size of several hundred kW for traction work.

At the time of starting operation, the power factor is low; so that, for a given current, the torque developed by the AC motor is less compared to the DC motor. Thus, the AC series motor is not suitable for suburban services with frequent stops and preferred for main line service where high acceleration is not required.

### **Three-phase induction motor**

The three-phase induction motors are generally preferred for traction purpose due to the following advantages.

1. Simple and robust construction.
2. Trouble-free operation.
3. The absence of commutator.
4. Less maintenance.
5. Simple and automatic regeneration.
6. High efficiency.

Three-phase induction motor also suffer from the following drawbacks.

1. Low-starting torque.
2. High-starting current and complicated speed control system.
3. It is difficult to employ three-phase induction motor for a multiple-unit system used for propelling a heavy train.

Three-phase induction motor draws less current when the motor is started at low frequencies. When a three-phase induction motor is used, the cost of overhead distribution system increases and it consists of two overhead conductors and track rail for the third phase to feed power to locomotive, which is a complicated overhead structure and if any person comes in contact with the third rail, it may cause danger to him or her.

This drawback can be overcome by employing kando system. In this system, 1 $\phi$  supply from the overhead distribution structure is converted to 3- $\phi$  supply by using phase converters and is fed to 3- $\phi$  induction motor.

The speed controller of induction motor becomes smooth and easy with the use of thyristorized inverter circuits to get variable frequency supply that can be used to control the speed of three-phase induction motor.

Nowadays, by overcoming the drawbacks of three-phase induction motor, it can be used for traction purpose.

### **Linear induction motor**

It is a special type of induction motor that gives linear motion instead of rotational motion, as in the case of a conventional motor.

In case of linear induction motor, both the movement of field and the movement of the conductors are linear.

A linear induction motor consists of 3- $\phi$  distributed field winding placed in slots, and secondary is nothing but a conducting plate made up of either copper or aluminum.

The field system may be either single primary or double primary system. In single primary system, a ferro magnetic plate is placed on the other side of the copper plate; it is necessary to provide low reluctance path for the magnetic flux. When primary is excited by 3- $\phi$  AC supply, according to mutual induction, the induced currents are flowing through secondary and ferro magnetic plate. Now, the ferro magnetic plate energized and attracted toward the primary causes to unequal air gap between primary and secondary as shown in Fig. 9.2(a). This drawback can be overcome by double primary system as shown in Fig. 9.2(b). In this system, two primaries are placed on both the sides of secondary, which will be shorter in length compared to the other depending upon the use of the motor.

When the operating distance is large, the length of the primary is made shorter than the secondary because it is not economical to place very large 3- $\phi$  primary.

Generally, the short secondary form of system is preferred for limited operating distance, as shown in

When 3- $\phi$  primary winding is excited by giving 3- $\phi$  AC supply, magnetic field is developed rotating at linear synchronous speed,  $V_s$ .

The linear synchronous speed is given by:

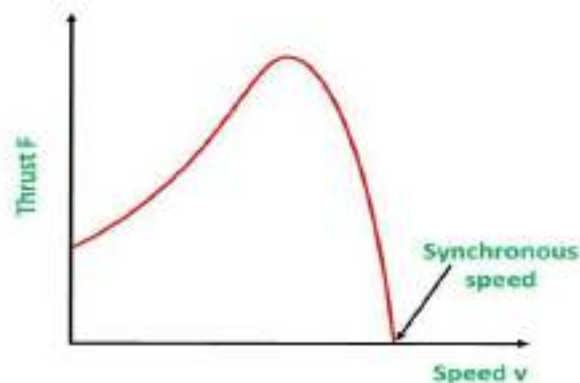
$$V_s = 2\tau f \text{ m/s,}$$

where  $\tau$  is the pole pitch in m and  $f$  is the supply frequency in hertz.

Note: here, the synchronous speed does not depend upon the number of poles but depends upon the pole pitch and the supply frequency.

1. Short single primary. 2. Short double primary. 3. Short secondary.

The flux developed by the field winding pulls the rotor same as to the direction of the magnetic field linearly, which will reduce relative speed between field and rotor plate. If the speed of the rotor plate is equal to the magnetic field, then the field would be stationary when viewed from the rotor plate. If rotor plate is rotating at a speed more than linear synchronous, the direction of a force would be reversed, which causes regenerative braking.



## Synchronous motor

The synchronous motor is one type of AC motor working based upon the principle of magnetic locking. It is a constant speed motor running from no-load to full load. The construction of the synchronous motor is similar to the AC generator; armature winding is excited by giving three-phase AC supply and field winding is excited by giving DC supply. The synchronous motor can be operated at leading and lagging power factors by varying field excitation.

The synchronous motor can be widely used various applications because of constant speed from no-load to full load.

o High efficiency. o Low-initial cost. o Power factor improvement of three-phase AC industrial circuits

## BRAKING

### Regenerative Braking

Regenerative braking is an [energy recovery](#) mechanism that slows down a moving vehicle or object by converting its [kinetic energy](#) into a form that can be either used immediately or stored until needed. In this mechanism, the electric [traction](#)

[motor](#) uses the vehicle's momentum to recover energy that would otherwise be lost to the brake discs as heat. This contrasts with conventional braking systems, where the excess kinetic energy is converted to unwanted and wasted heat due to friction in the [brakes](#), or with [dynamic brakes](#), where the energy is recovered by using electric motors as generators but is immediately dissipated as heat in [resistors](#). In addition to improving the overall efficiency of the vehicle, regeneration can significantly extend the life of the braking system as the mechanical parts will not wear out very quickly.

### **Regenerative braking applied to 3- $\phi$ induction motor**

Regenerative braking is applied to the induction motor by increasing its speed above the synchronous speed. Now, the induction motor acting as an induction generator that feeds power to the main line.

The main advantage of the induction motor is during the braking period; no need of placing external resistance in the rotor circuit. The speed during the braking remains almost constant and independent of the gradient and the weight of the train.

This regenerative braking applied to an induction motor can save 20% of the total energy leads the reduction of operating cost.

